

PART NUMBER	ITEM ① BODY	ITEM ② SPRING	ITEM ③ SOLDER LUG	ITEM ④ NUT
108-0750-001	BRASS NICKEL PL .0001 MIN	NICKEL SILVER NICKEL PL .0001 MIN	COPPER TIN PL .0004 MIN	BRASS NICKEL PL .0001 MIN

DRAWING NO.
B-108-0750-001

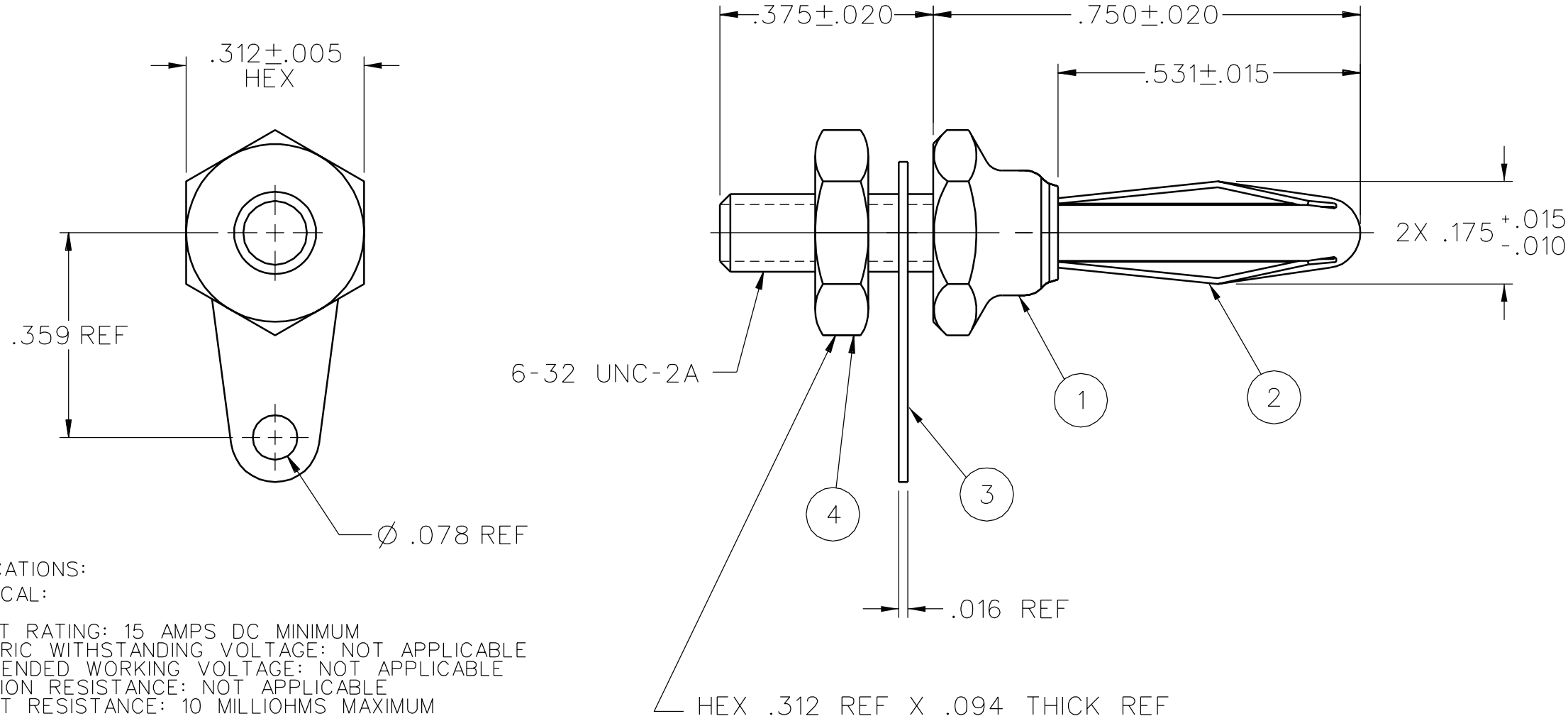
0 REVISIONS

ENGINEERING RELEASE

* REVISION NUMBER FOLLOWED BY AN ALPHA *
* CHARACTER INDICATES DRAWING CLARIFI- *
* CATION OR PART NUMBER ADDITION ONLY. *

64a 1-19-95 R H S W T R J B ECN 42927

REVISION UPDATE
65 1-27-09 P A T R J B C S M J U B L F 1-30-09 ECN 51752



NOTES:
1. SPECIFICATIONS:
ELECTRICAL:
CURRENT RATING: 15 AMPS DC MINIMUM
DIELECTRIC WITHSTANDING VOLTAGE: NOT APPLICABLE
RECOMMENDED WORKING VOLTAGE: NOT APPLICABLE
INSULATION RESISTANCE: NOT APPLICABLE
CONTACT RESISTANCE: 10 MILLIOHMS MAXIMUM
MECHANICAL:
INSERTION/WITHDRAWAL FORCE: 1.0 - 12.0 POUNDS
CONTACT SPRING RETENTION FORCE: 25 POUNDS MINIMUM
WIRE ACCEPTABILITY: NOT APPLICABLE
WIRE ATTACHMENT: NOT APPLICABLE
MATING BANANA JACK DIAMETER: .166 NOMINAL
DURABILITY: 1000 CYCLES MINIMUM
ENVIRONMENTAL:
(MEETS OR EXCEEDS THE APPLICABLE PARAGRAPH OF MIL-C-28901)
OPERATING TEMPERATURE: -55 DEG C TO 85 DEG C.
TEMPERATURE RISE AT RATED CURRENT: 10 DEG C MAXIMUM
CORROSION: MIL-STD-1344, METHOD 1001, CONDITION B
SHOCK: MIL-STD-1344, METHOD 2004, CONDITION G
VIBRATION: MIL-STD-1344, METHOD 2005, CONDITION I
HUMIDITY: MIL-STD-1344, METHOD 1002, CONDITION B

CUSTOMER DRAWING
THIS DRAWING TO BE INTERPRETED
PER ASME Y 14.5M - 1994
"μSTATION"
COMPANY CONFIDENTIAL

TOLERANCE UNLESS OTHERWISE SPECIFIED		DRAWN BY	DATE
DECIMALS	mm	SWC	7-12-94
.XX	_____	CHECKED BY	DATE
.XXX	_____	TAK	3-1-95
MATL	_____	APPROVED BY	DATE
FINISH	_____	RJB	3-2-95
		RELEASE DATE	3-2-95
		U/M	INCH
		SCALE	4:1

Connectivity Solutions
P.O. Box 1732
Waseca, MN 56093
1-800-247-8256

EMERSON
Network Power

TITLE
ASSEMBLY, BANANA PLUG,
UNINSULATED, HEX BODY,
THREADED STUD, SOLDER LUG

SHEET 2 OF 2
DRAWING NO. B-108-0750-001