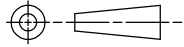


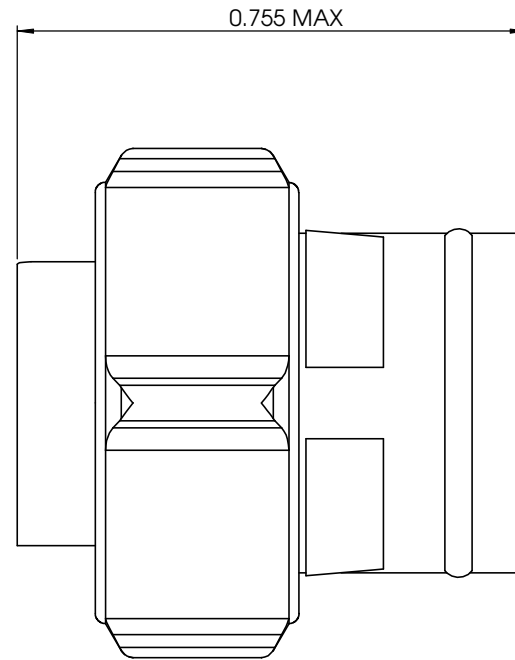
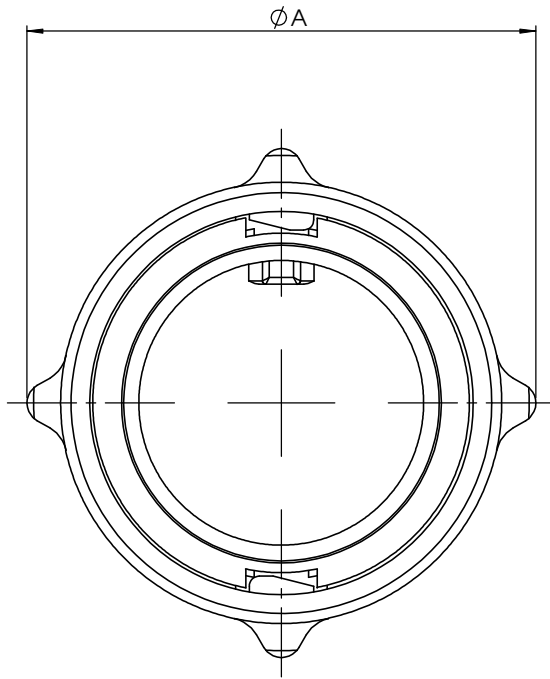
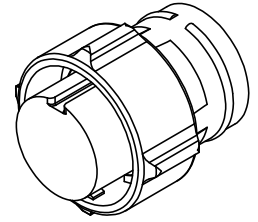
DRAWING NUMBER

603942-ENV

A3

BS 8888  
THIRD ANGLE  
PROJECTION

IF IN DOUBT, ASK



PART No.	ØA MAX
IMC16-****1	0.600
IMC26-****1	0.755

									MATERIAL	<p>© THE COPYRIGHT OF THIS DRAWING IS RESERVED BY DEUTSCH UK. IT IS ISSUED ON CONDITION THAT IT IS NOT COPIED, REPRODUCED OR DISCLOSED TO A THIRD PARTY EITHER WHOLLY OR IN PART WITHOUT THE CONSENT IN WRITING OF DEUTSCH UK.</p>	<p>GENERAL TOLERANCES UNLESS OTHERWISE STATED.            ±1/64" ON FRACTIONS            ±0.010" ON TWO PLACE DECIMALS            ±0.005" ON THREE PLACE DECIMALS            ±1/2° ON ANGLES            ±0.002" ON DRILLED HOLES            ALL DIAMETERS <math>\text{Ⓢ} \phi 0.004</math>            REMOVE ALL BURRS AND SHARP EDGES 0.005" MAX. UNLESS OTHERWISE STATED.</p>
									HEAT TREATMENT & FINISH		
									PACKAGING		
A	56377	ADH	NDL	JAK	MRM	09/10/08					
ISSUE	CHANGE NOTE	DRAWN	CHECKED	APP. ENG.	APP. MARKETING	DATE	APP. I.E.D.		SCALE	2:1	

DEUTSCH

ST LEONARDS ON SEA, EAST SUSSEX, TN38 9RF  
TEL. +44 (0)1424 852721TITLE  
PLUG ASSEMBLY  
ENVELOPE DRAWING

DRAWING NUMBER

603942-ENV