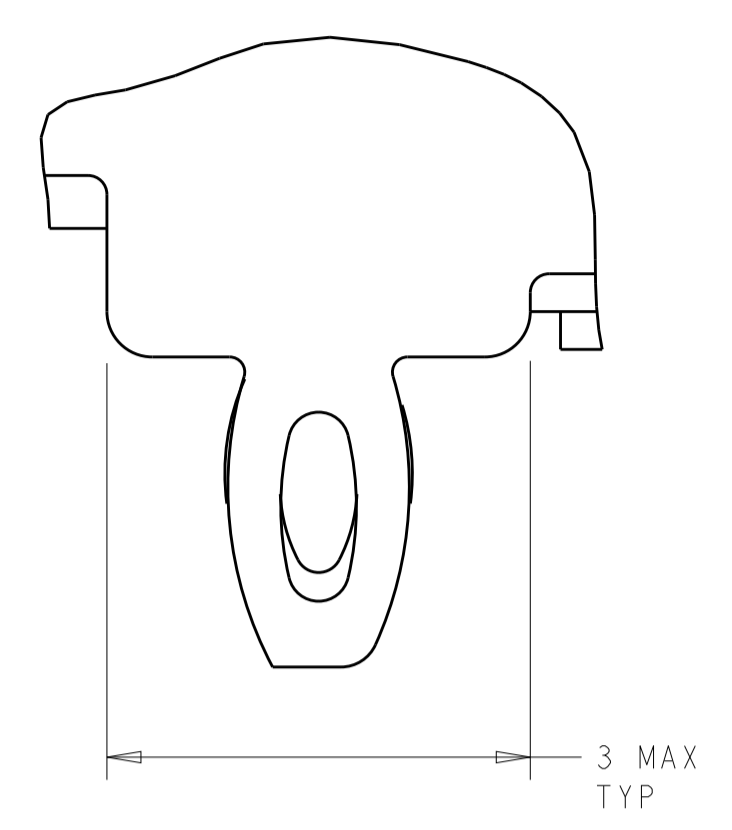
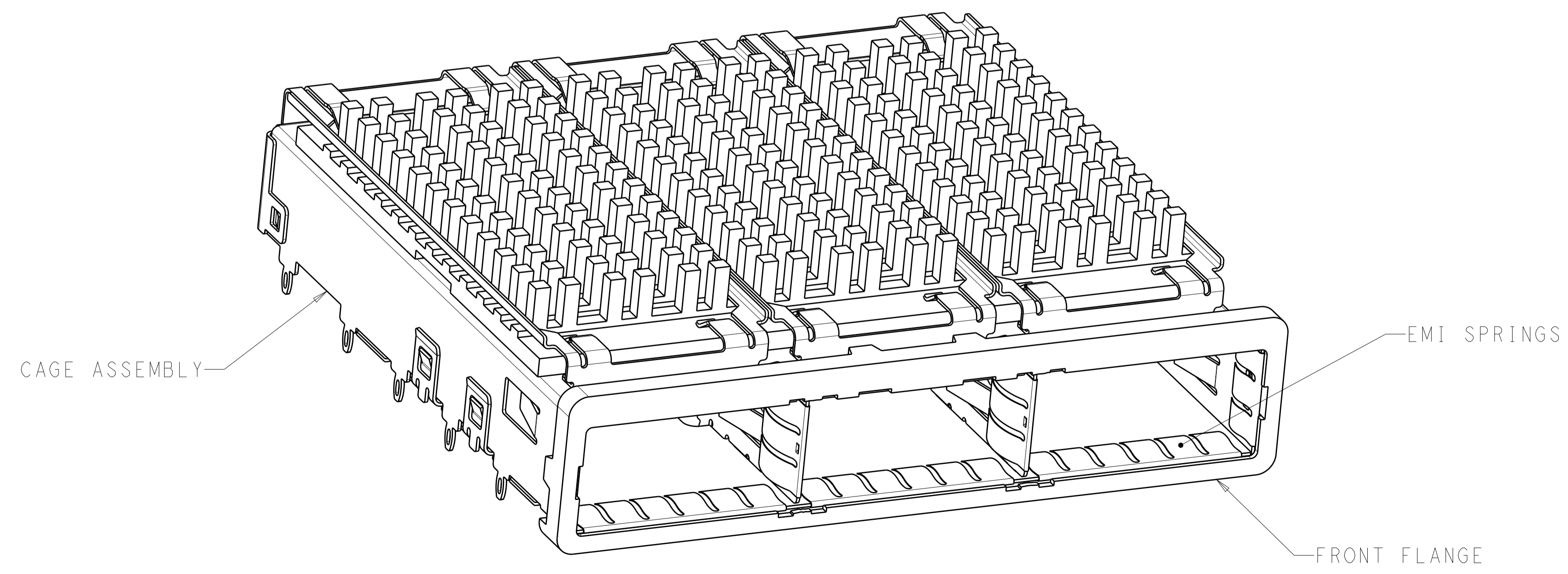
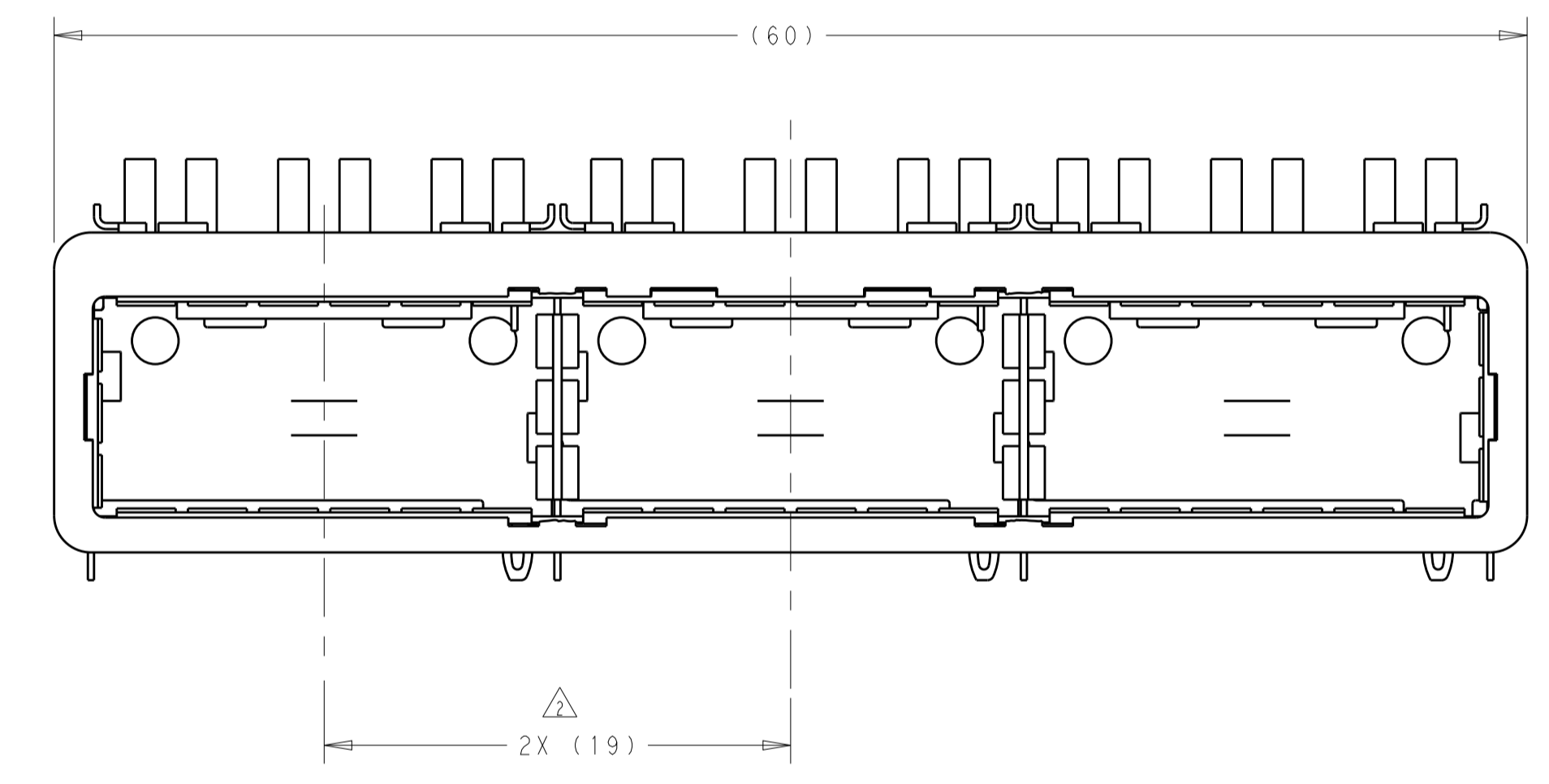
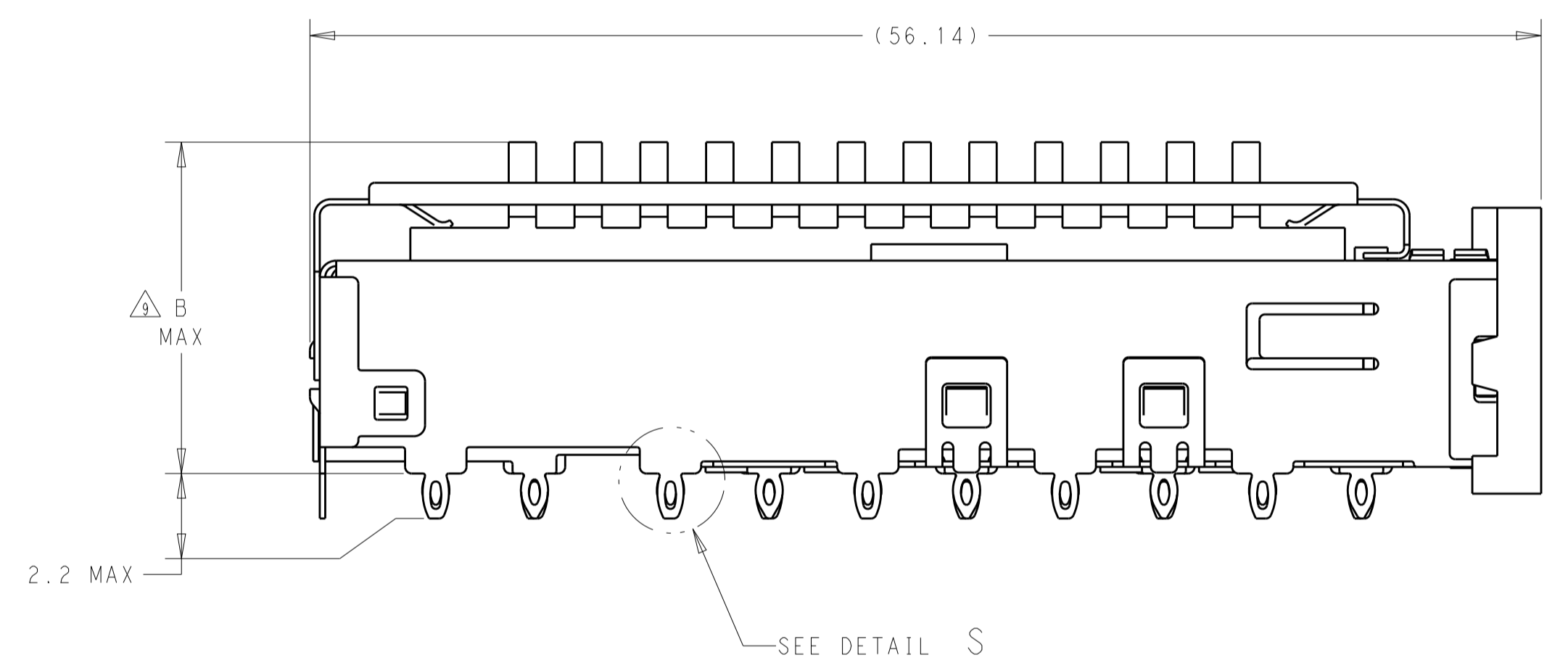


LOC		DIST		REVISIONS			
GP	00	P	LTN	DESCRIPTION	DATE	DMN	APVD
		A		RELEASED PER ECO-13-000076	16JAN2013	CJV	EDB



DETAIL S $\Delta 12$
 SCALE 20:1

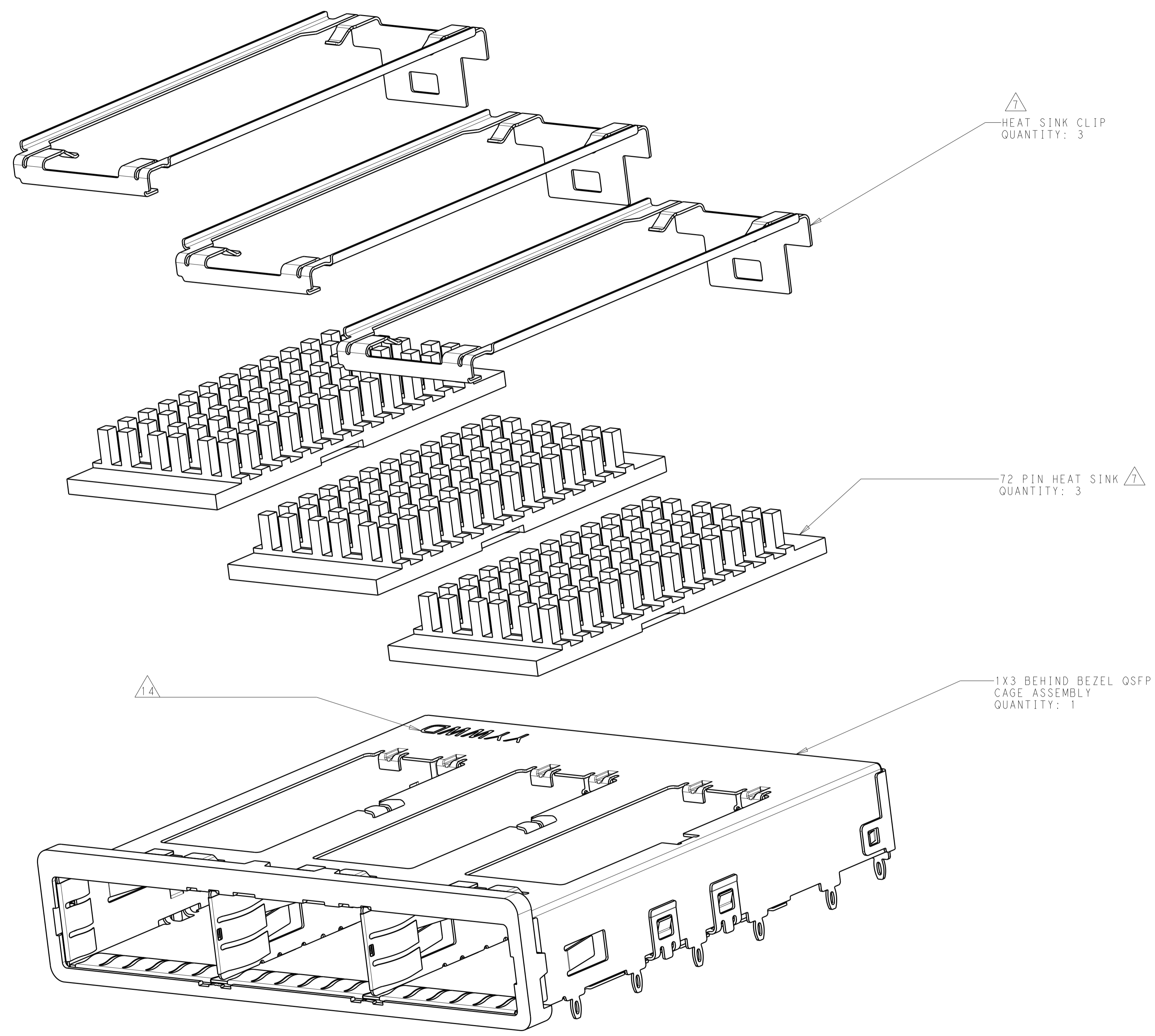
- Δ MATERIALS:
- CAGE ASSEMBLY: NICKEL SILVER, 0.25 THICK
- EMI SPRINGS: COPPER ALLOY
- FRONT FLANGE: ZINC ALLOY
- HEAT SINK: ALUMINUM
- HEAT SINK CLIP: STAINLESS STEEL
- Δ PITCH BETWEEN PORTS OF ONE 1X3 CAGE ASSEMBLY.
- Δ SPACING BETWEEN CAGES ON THE SAME PC BOARD, TO BE SPECIFIED BY CUSTOMER, MUST COMPLY WITH MINIMUM DIMENSIONS SHOWN.
- Δ REFERENCE APPLICATION SPEC 114-XXXX FOR RECOMMENDED DRILL HOLE DIAMETER AND PLATING THICKNESS.
- Δ DATUMS AND BASIC DIMENSIONS ESTABLISHED BY CUSTOMER.
- Δ DIMENSION C IS THE NOMINAL THICKNESS OF CUSTOMER SUPPLIED PC BOARD.
- MINIMUM SINGLE SIDED PC BOARD THICKNESS: 1.45mm
- MINIMUM DOUBLE SIDED PC BOARD THICKNESS: 2.2mm PER QSFP
- Δ HEAT SINKS AND CLIPS SHIPPED ASSEMBLED TO CAGE ASSEMBLY.
- CAGE ASSEMBLY MAY BE PRESSED INTO THE PCB AS SHIPPED.
- Δ DATUM A IS TOP SURFACE OF PC BOARD.
- Δ DIMENSION APPLIES WITH MODULE INSERTED IN CAGE.
- Δ UNPLATED THRU HOLE.
- || MATES WITH QSFP MSA COMPATIBLE TRANSCEIVER.
- Δ SURFACE TRACES PERMITTED WITHIN THIS AREA EXCEPT WHERE CAGE STANDOFFS, SHOWN IN DETAIL S, CONTACT PC BOARD.
- Δ BASELINE FOR THESE DIMENSIONS IS THE CENTER OF COMPLIANT PIN HOLE.
- Δ DATE CODE (YYWW) MARKED ON TOP OF CAGE AND CONCEALED BY HEAT SINKS APPLIES TO CAGE ASSEMBLY ONLY.
- Δ REFERENCE APP SPEC 114-XXXX FOR GASKET THICKNESS CALCULATION.
- Δ FINISH:
- EMI SPRINGS: 2 μ m MINIMUM TIN
- FRONT FLANGE: 3 μ m MINIMUM TIN OVER 1.27 μ m MINIMUM NICKEL OVER 5.08 μ m MINIMUM COPPER
- HEAT SINK: NICKEL.



23.0	NETWORKING	2173239-3
16.0	SAN	2173239-2
13.7	PCI	2173239-1
B	HEAT SINK PROFILE	PART NUMBER

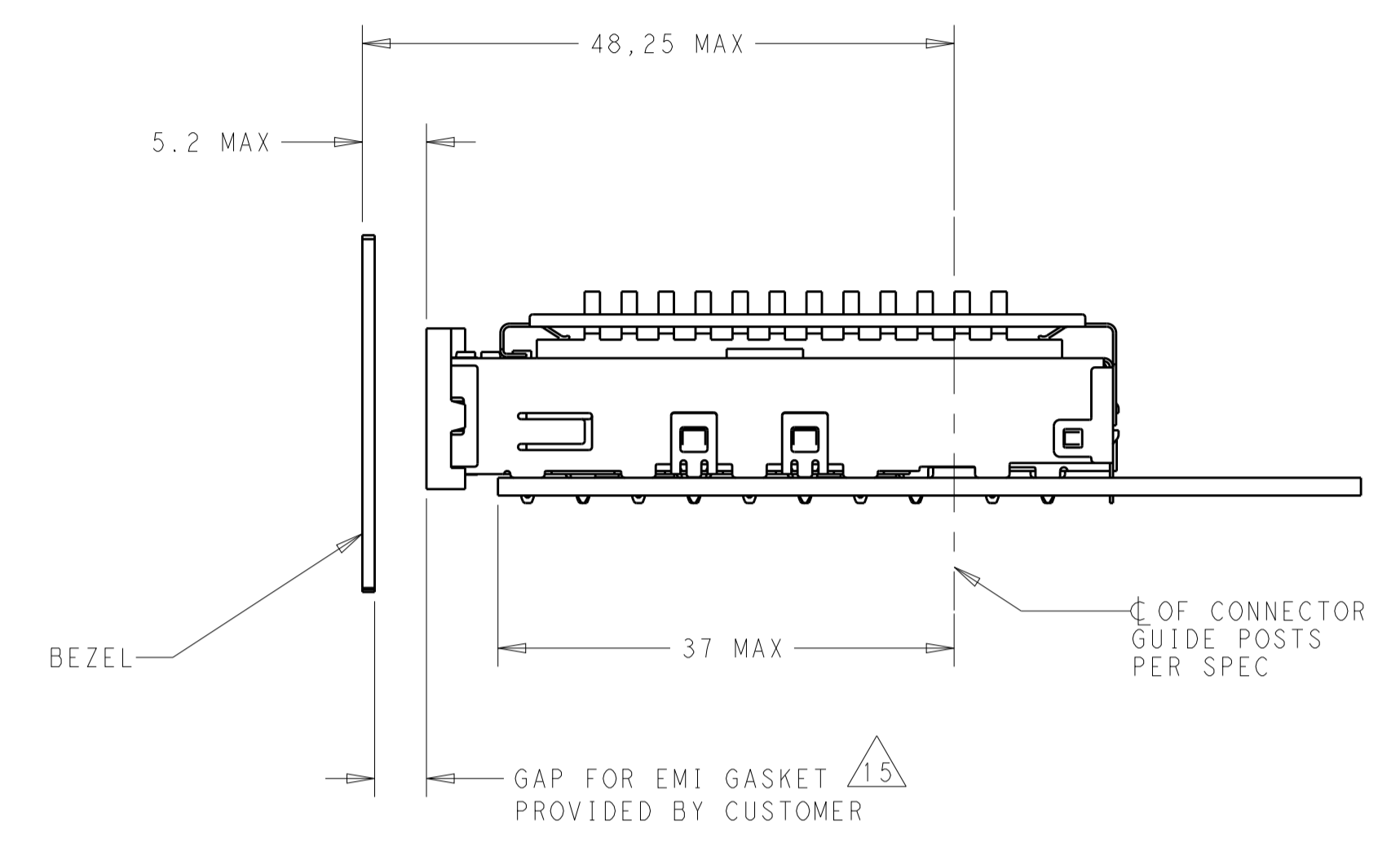
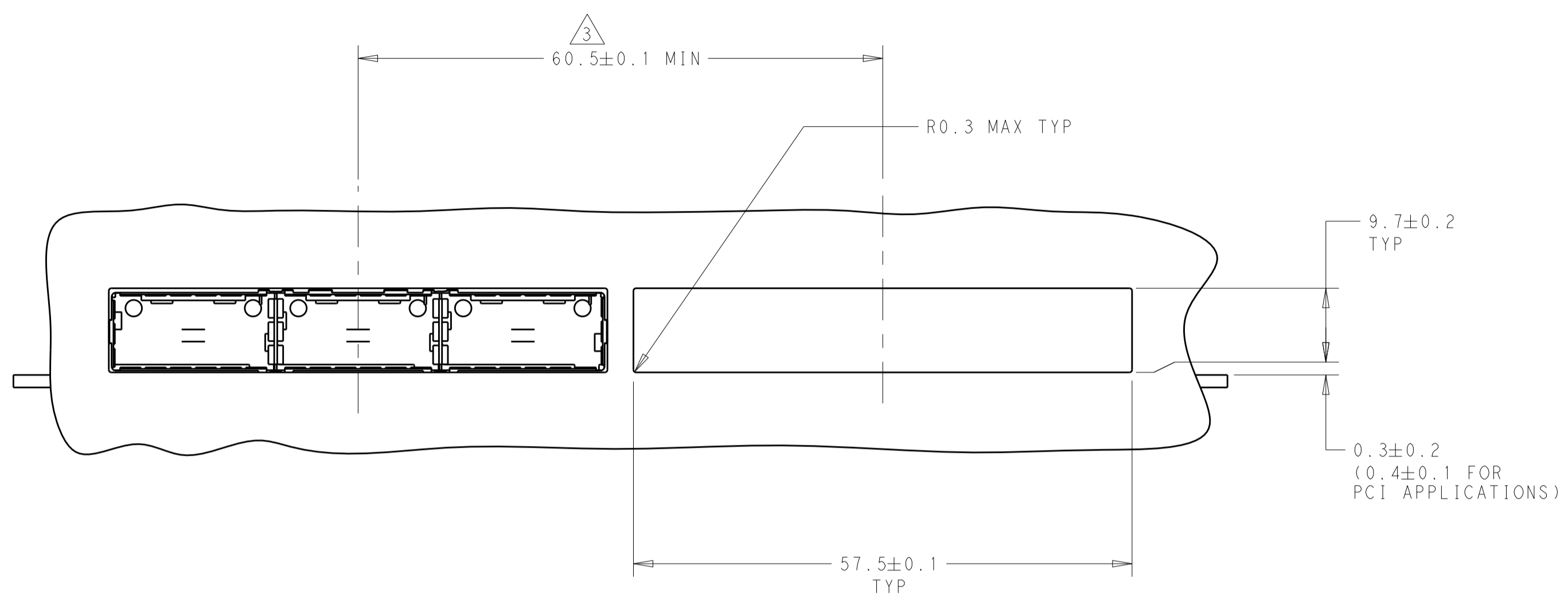
THIS DRAWING IS A CONTROLLED DOCUMENT. DIMENSIONING AND TOLERANCING PER ASME Y14.5M-2009.		DMN: J.V.D. HEIJDEN 12AUG2011	TE Connectivity
DIMENSIONS: mm		CHK: R. VERBEET 12AUG2011	
TOLERANCES UNLESS OTHERWISE SPECIFIED:		APVD: T.D. ROER 15AUG2011	NAME: 1X3 CAGE ASSEMBLY, BEHIND BEZEL, W/ HEAT SINKS, 2QSFP+
0 PLC \pm 1 PLC ± 0.1 2 PLC ± 0.1 3 PLC ± 0.013 4 PLC ± 0.0001 ANGLES \pm		PRODUCT SPEC: 108-XXXX	
MATERIAL: Δ		APPLICATION SPEC: 114-XXXX	RESTRICTED TO:
FINISH: $\Delta 16$		WEIGHT: -	SCALE: 1:1
CUSTOMER DRAWING		SIZE: CAGE CODE DRAWING NO: A100779C=2173239	SHEET 1 OF 5

LOC	DIST	REVISIONS			
P	LTN	DESCRIPTION	DATE	DWN	APVD
GP	00	SEE SHEET 1	-	-	-

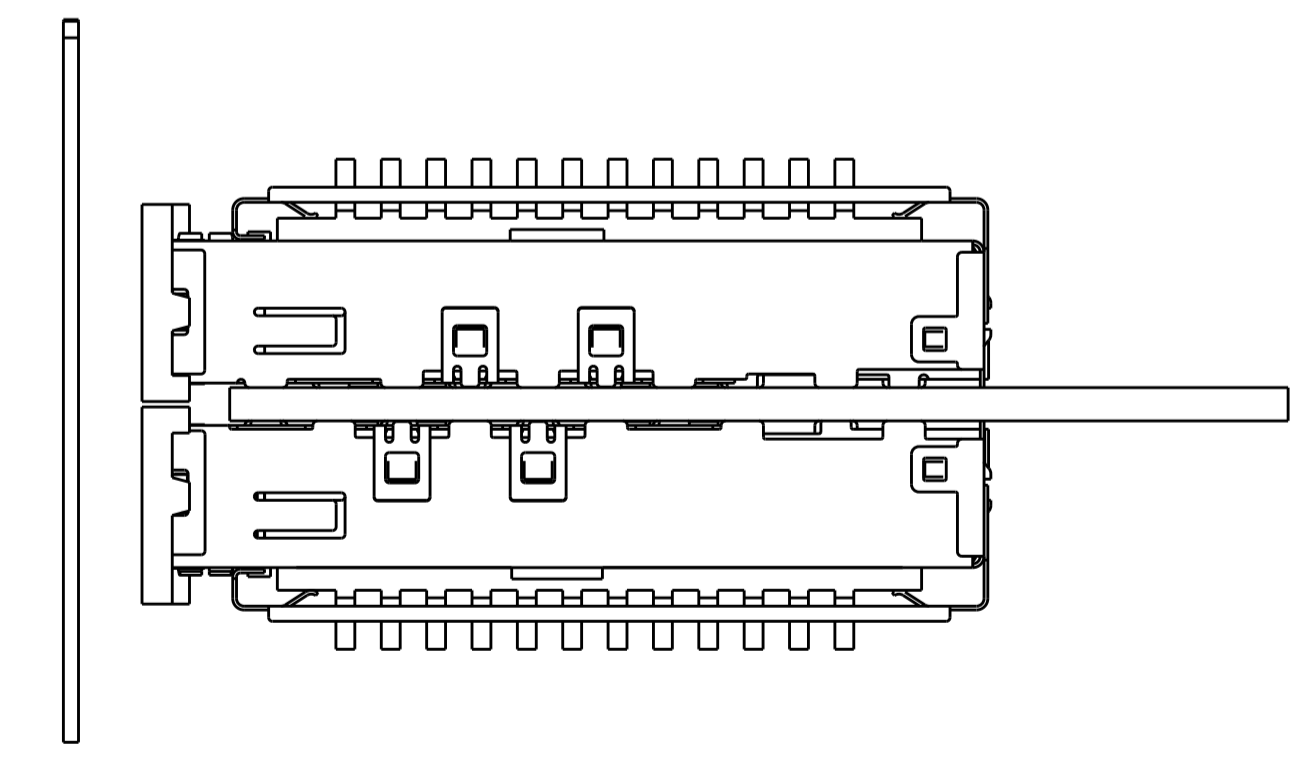
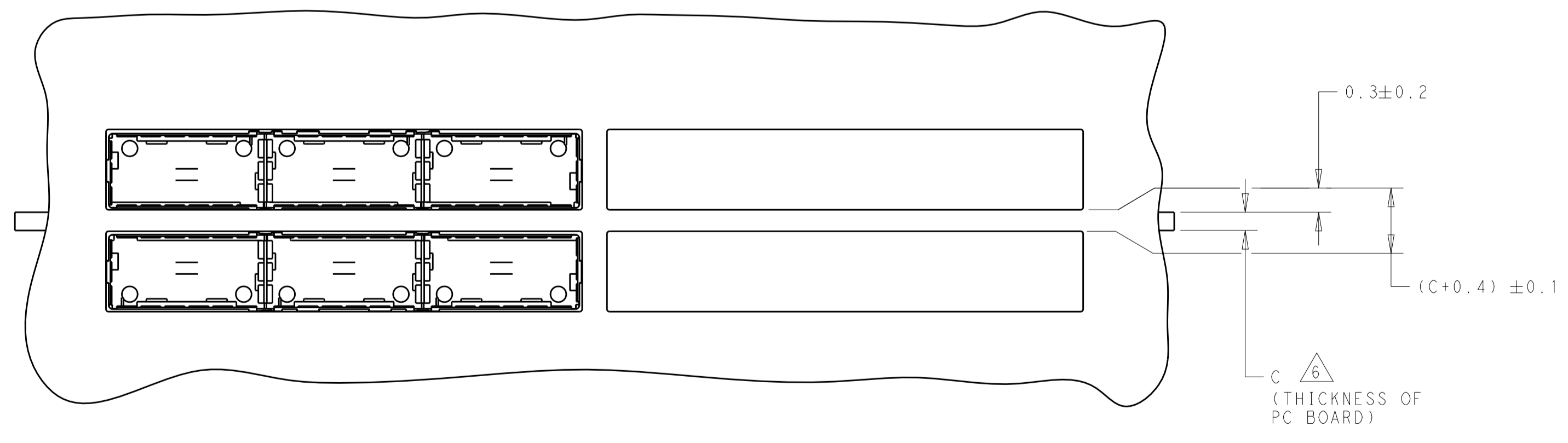


THIS DRAWING IS A CONTROLLED DOCUMENT. DIMENSIONING AND TOLERANCING PER ASME Y14.5M-2009.		DWN J.V.D. HEIJDEN 12AUG2011	TE Connectivity
TOLERANCES UNLESS OTHERWISE SPECIFIED:		CHK R. VERBEET 12AUG2011	
DIMENSIONS:	mm	APVD T.D. ROER 15AUG2011	NAME 1X3 CAGE ASSEMBLY, BEHIND BEZEL, W/ HEAT SINKS, 2QSFP+
	0 PLC ±	PRODUCT SPEC	SIZE
	1 PLC ±0.1	108----	CAGE CODE
2 PLC ±0.1	APPLICATION SPEC	114----	DRAWING NO
3 PLC ±0.013	WEIGHT	---	A100779
4 PLC ±0.0001	FINISH	---	C=2173239
ANGLES ±	CUSTOMER DRAWING	SCALE	1:1
		SHEET	2
		OF	5
		REV	A

LOC	DIST	REVISIONS					
GP	00	P	LTN	DESCRIPTION	DATE	DMN	APVD
		-		SEE SHEET 1	-	-	-



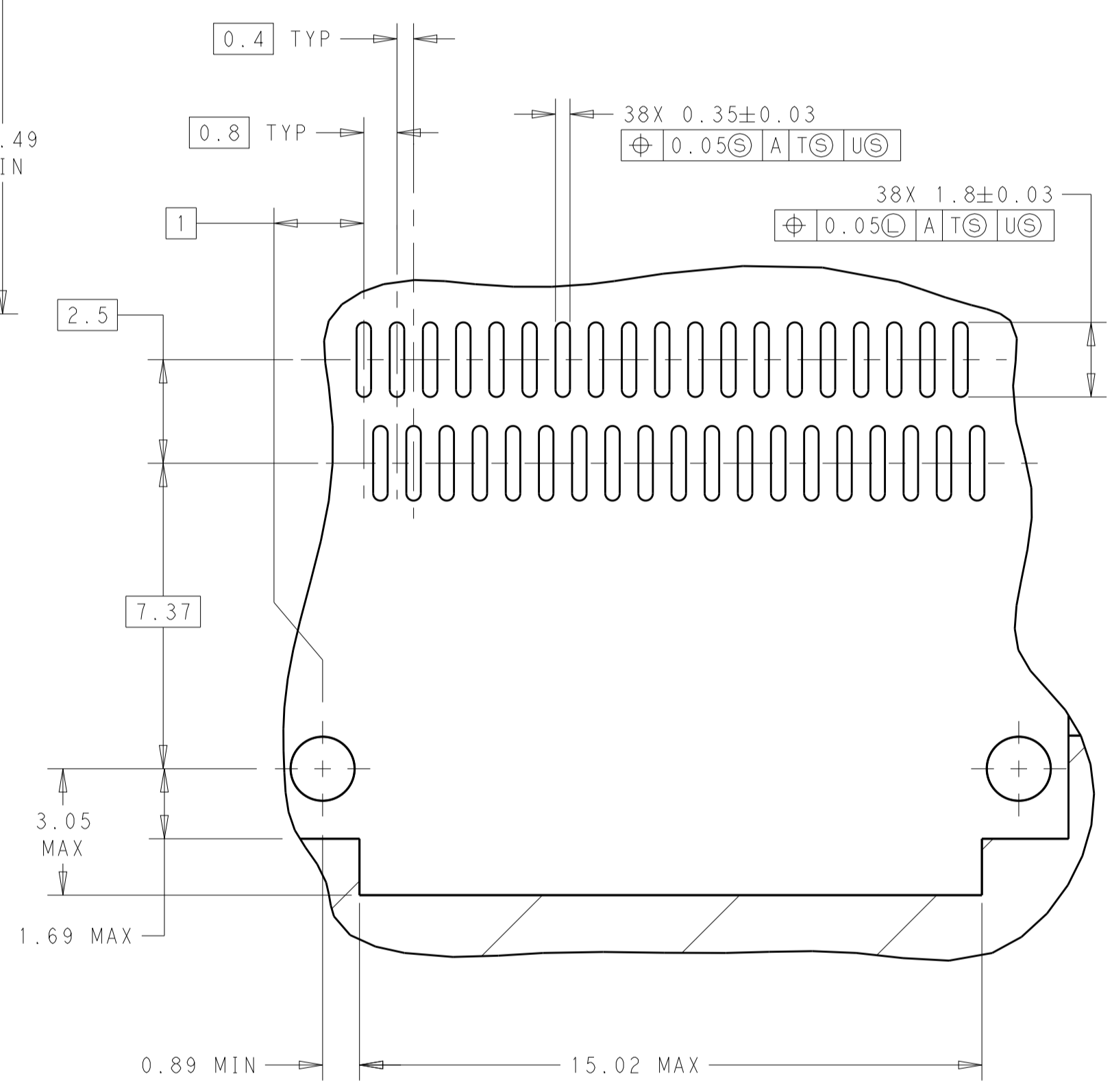
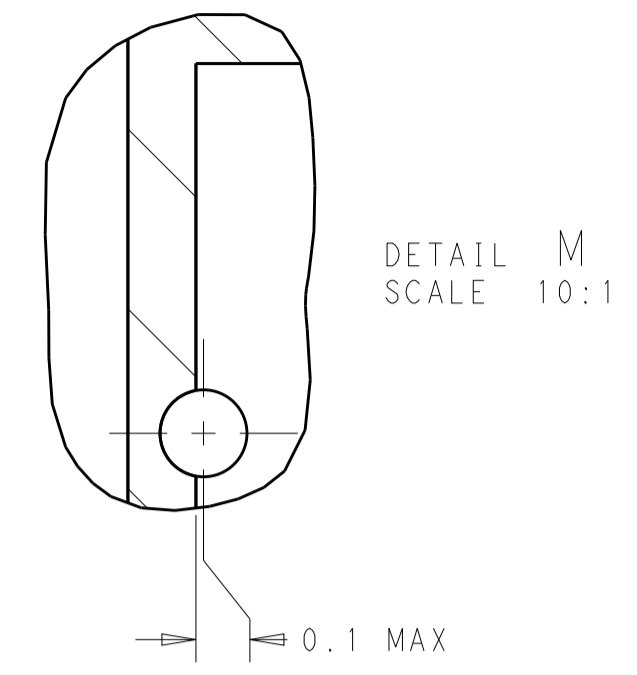
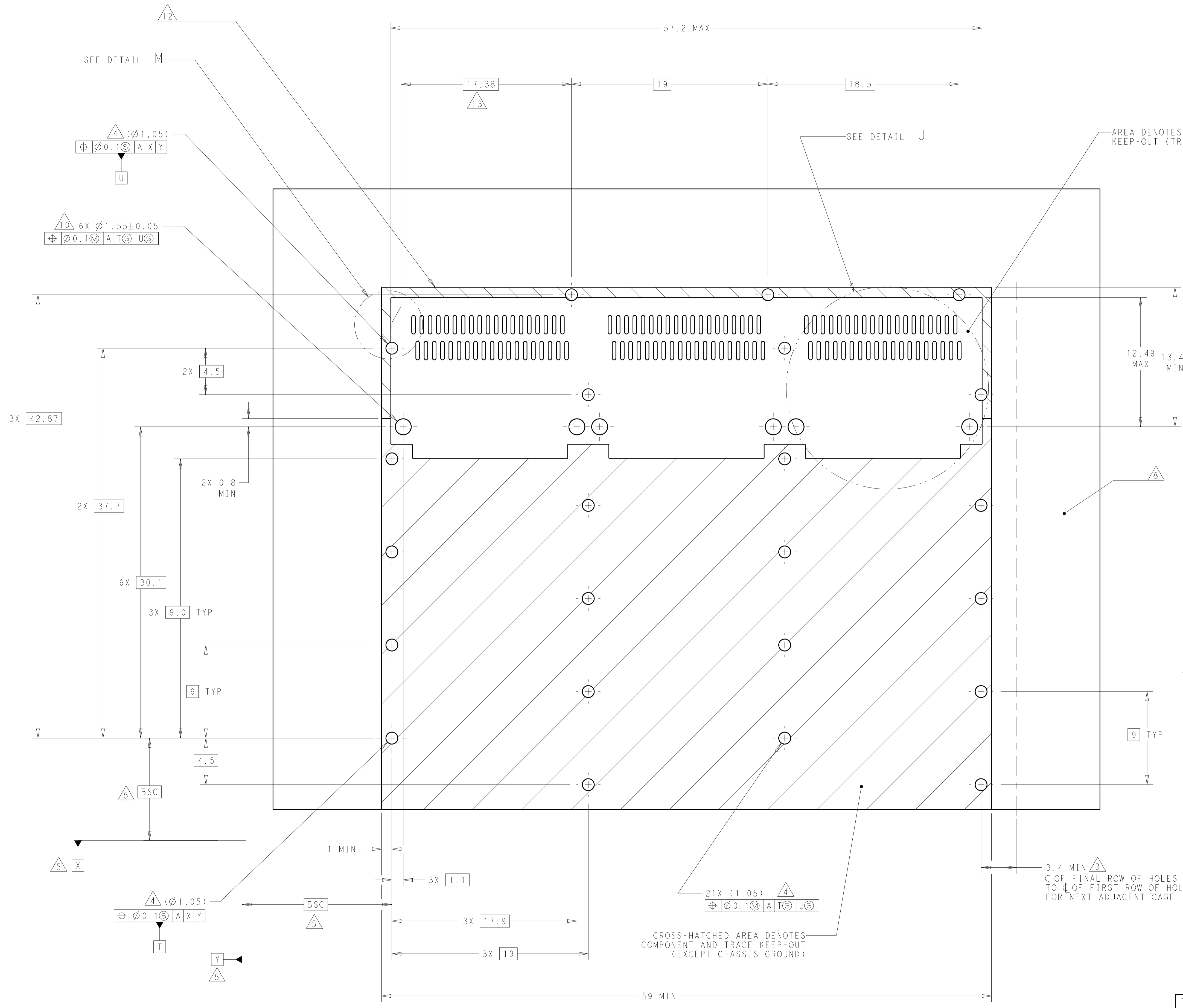
ONE SIDED CONFIGURATION
 SCALE 2:1



BELLY TO BELLY CONFIGURATION SIMILAR
 TO ONE SIDED EXCEPT WHERE NOTED
 SCALE 2:1

THIS DRAWING IS A CONTROLLED DOCUMENT. DIMENSIONING AND TOLERANCING PER ASME Y14.5M-2009		DMN J.V.D. HEIJDEN 12AUG2011	TE Connectivity NAME 1X3 CAGE ASSEMBLY, BEHIND BEZEL, W/ HEAT SINKS, 2QSFP+
DIMENSIONS: mm		CHK R. VERBEEF 12AUG2011	
TOLERANCES UNLESS OTHERWISE SPECIFIED:		APVD T.D. ROER 15AUG2011	PRODUCT SPEC
0 PLC ±			APPLICATION SPEC
1 PLC ±0.1			108----
2 PLC ±0.1			114----
3 PLC ±0.013			WEIGHT
4 PLC ±0.0001			A100779C=2173239
ANGLES ±			CUSTOMER DRAWING
FINISH			SCALE 4:1 SHEET 3 OF 5 REV A

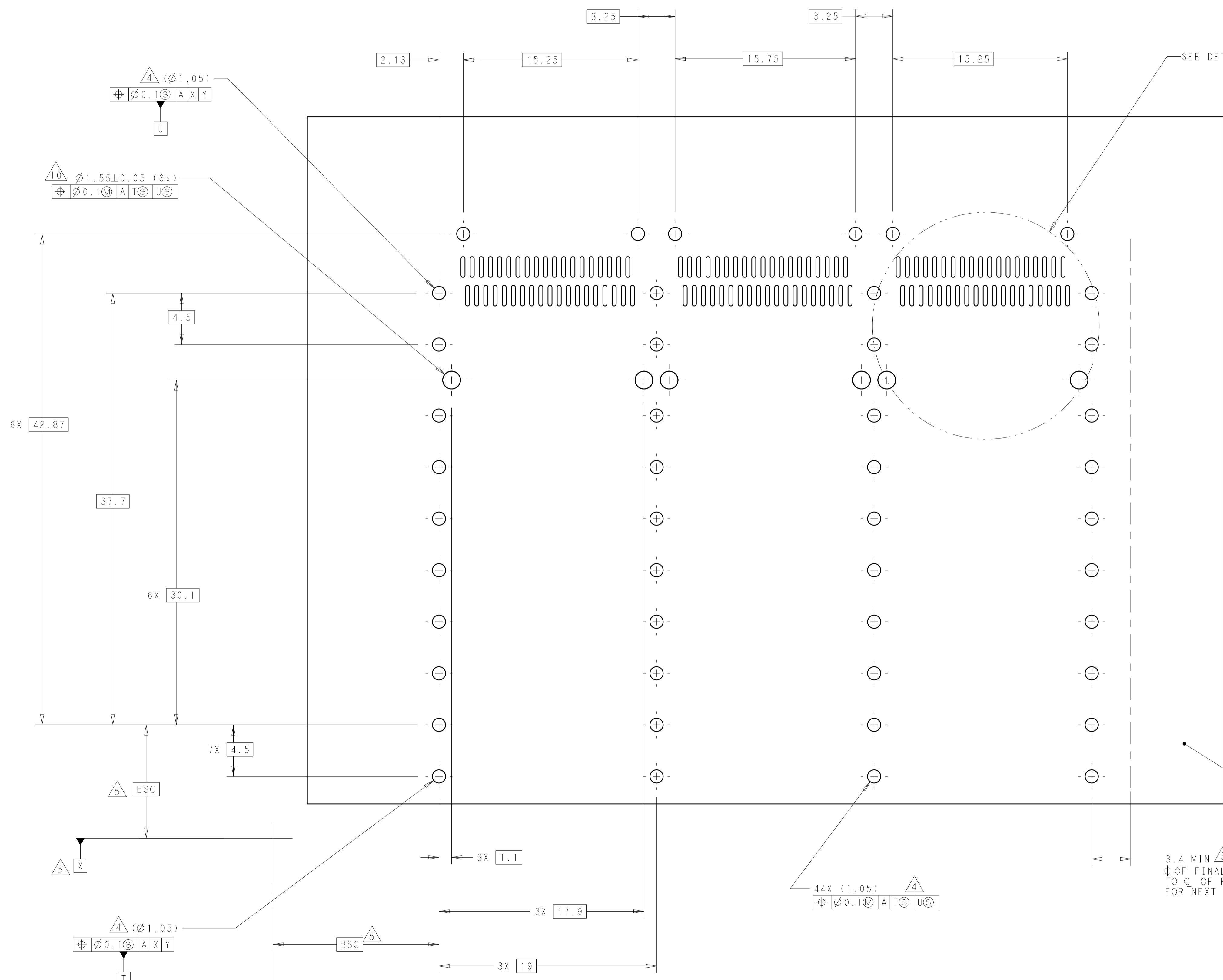
LOC	DIST	REVISIONS					
		P	LTN	DESCRIPTION	DATE	DWN	APVD
GP	00	-	-	SEE SHEET 1	-	-	-



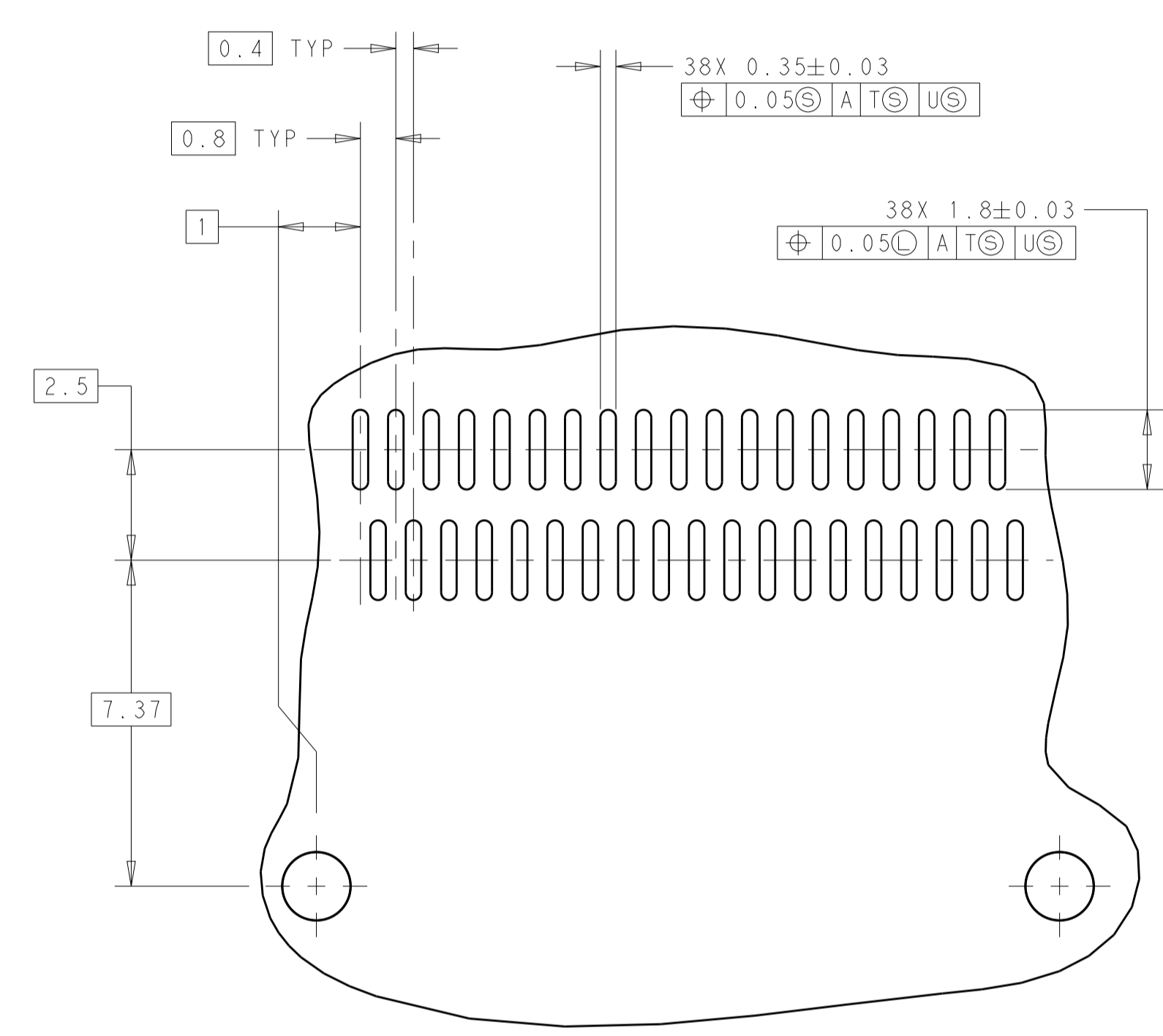
RECOMMENDED PC BOARD LAYOUT
 SINGLE SIDE MOUNT CONFIGURATION
 SCALE 5:1

THIS DRAWING IS A CONTROLLED DOCUMENT. DIMENSIONING AND TOLERANCING PER ASME Y14.5M-2009.		DWN J.V.D. HEIJNDEN CHK R. VERBEET APVD T.D. ROER	12AUG2011 12AUG2011 15AUG2011	TE Connectivity NAME 1X3 CAGE ASSEMBLY, BEHIND BEZEL, W/ HEAT SINKS, 2QSFP+
DIMENSIONS: mm		PRODUCT SPEC 108- APPLICATION SPEC 114- WEIGHT		
TOLERANCES UNLESS OTHERWISE SPECIFIED: 0 PLC ±0.1 1 PLC ±0.1 2 PLC ±0.1 3 PLC ±0.013 4 PLC ±0.0001 ANGLES ±0.0001		SIZE A100779C=2173239 SCALE 1:1 SHEET 4 OF 5 REV A		RESTRICTED TO
MATERIAL FINISH		CUSTOMER DRAWING		

LOC	DIST	REVISIONS			
P	LTN	DESCRIPTION	DATE	DMN	APVD
-	-	SEE SHEET 1	-	-	-



SEE DETAIL K



DETAIL K
 3 PLACES
 SCALE 8:1

RECOMMENDED PC BOARD LAYOUT
 BELLY TO BELLY CONFIGURATION
 SEE SHEET 4 FOR COMPONENT
 AND TRACE KEEP-OUTS
 SCALE 5:1

THIS DRAWING IS A CONTROLLED DOCUMENT. DIMENSIONING AND TOLERANCING PER ASME Y14.5M-2009		DMN: J.V.D. HEIJNDEN 12AUG2011 CHK: R. VERBEET 12AUG2011 APVD: T.D. ROER 15AUG2011	TE Connectivity NAME: 1X3 CAGE ASSEMBLY, BEHIND BEZEL, W/ HEAT SINKS, 2QSFP+	
DIMENSIONS: mm	TOLERANCES UNLESS OTHERWISE SPECIFIED:	PRODUCT SPEC	SIZE	RESTRICTED TO
0 PLC ±. 1 PLC ±0.1 2 PLC ±0.1 3 PLC ±0.013 4 PLC ±0.0001 ANGLES ±.	108- APPLICATION SPEC 114- WEIGHT CUSTOMER DRAWING	SCALE 1:1	SHEET 5 OF 5	REV A