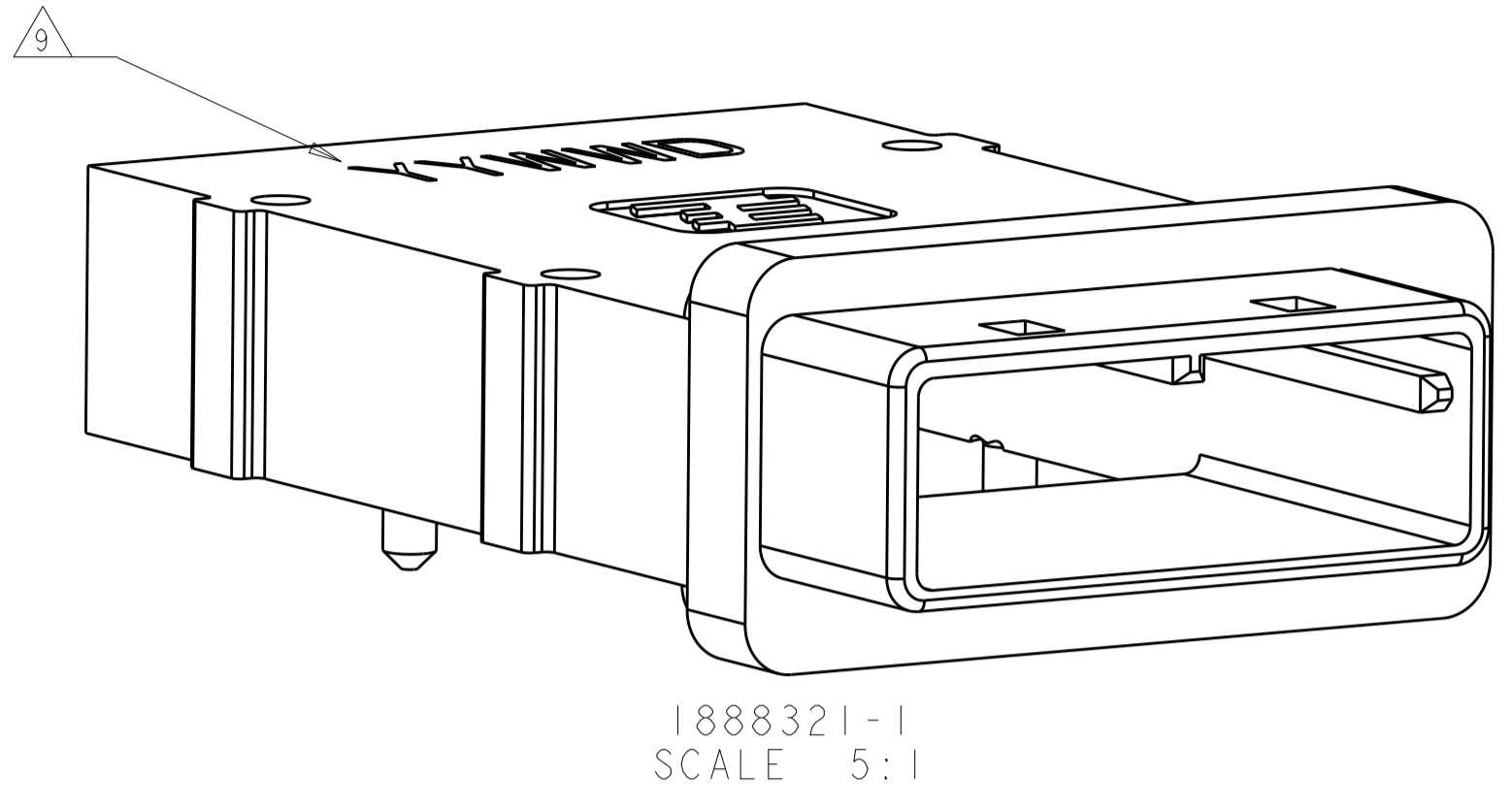
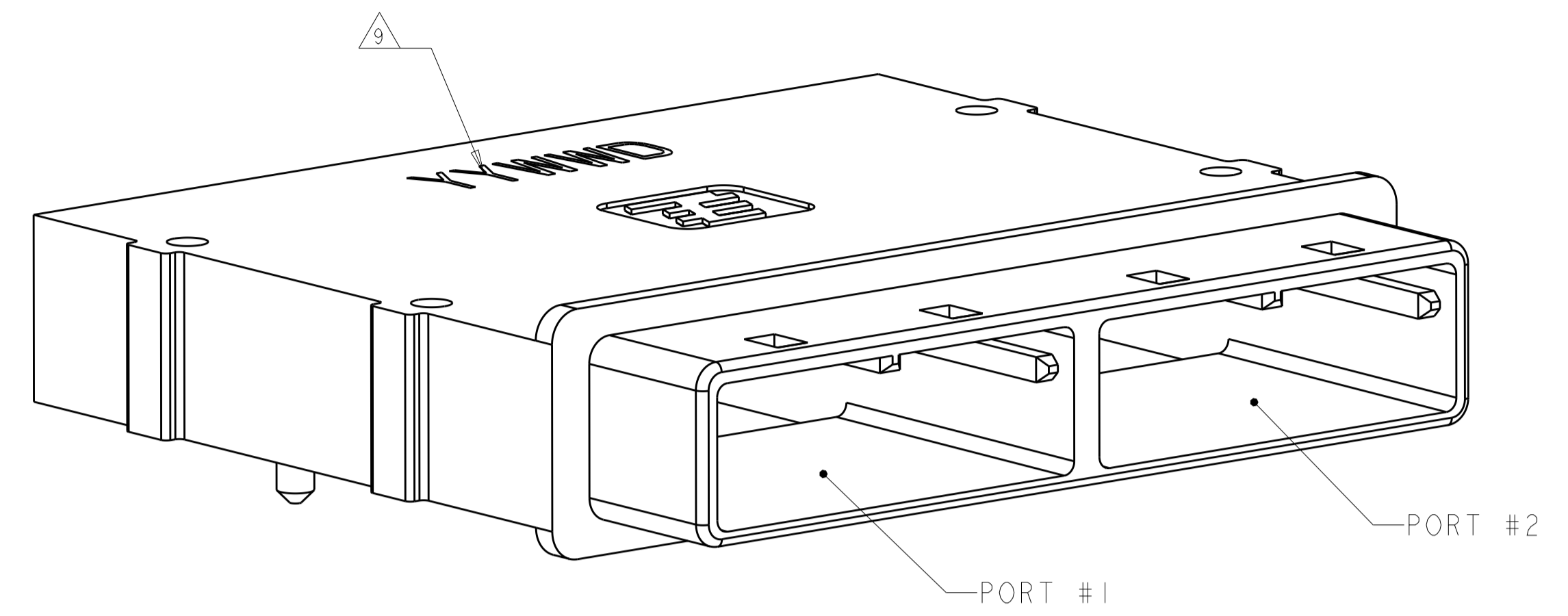


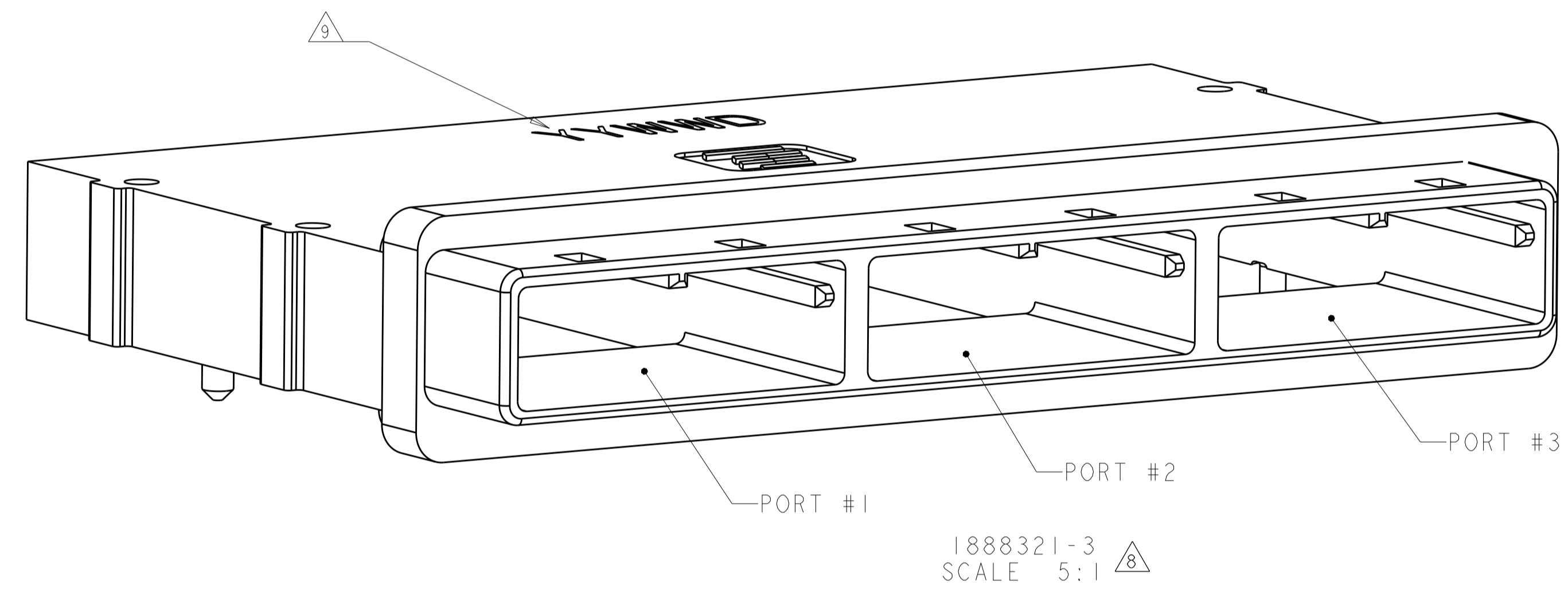
LOC	DIST	REVISIONS			
P	LTN	DESCRIPTION	DATE	DWN	APVD
GP	00				
A2		REVISED PER ECO-11-004835	11MAR2011	RK	HMR
B		REVISED PER ECO-12-014113	02AUG2012	JY	AC
C		REVISED PER ECO-12-019905	04DEC2012	CJV	DLG



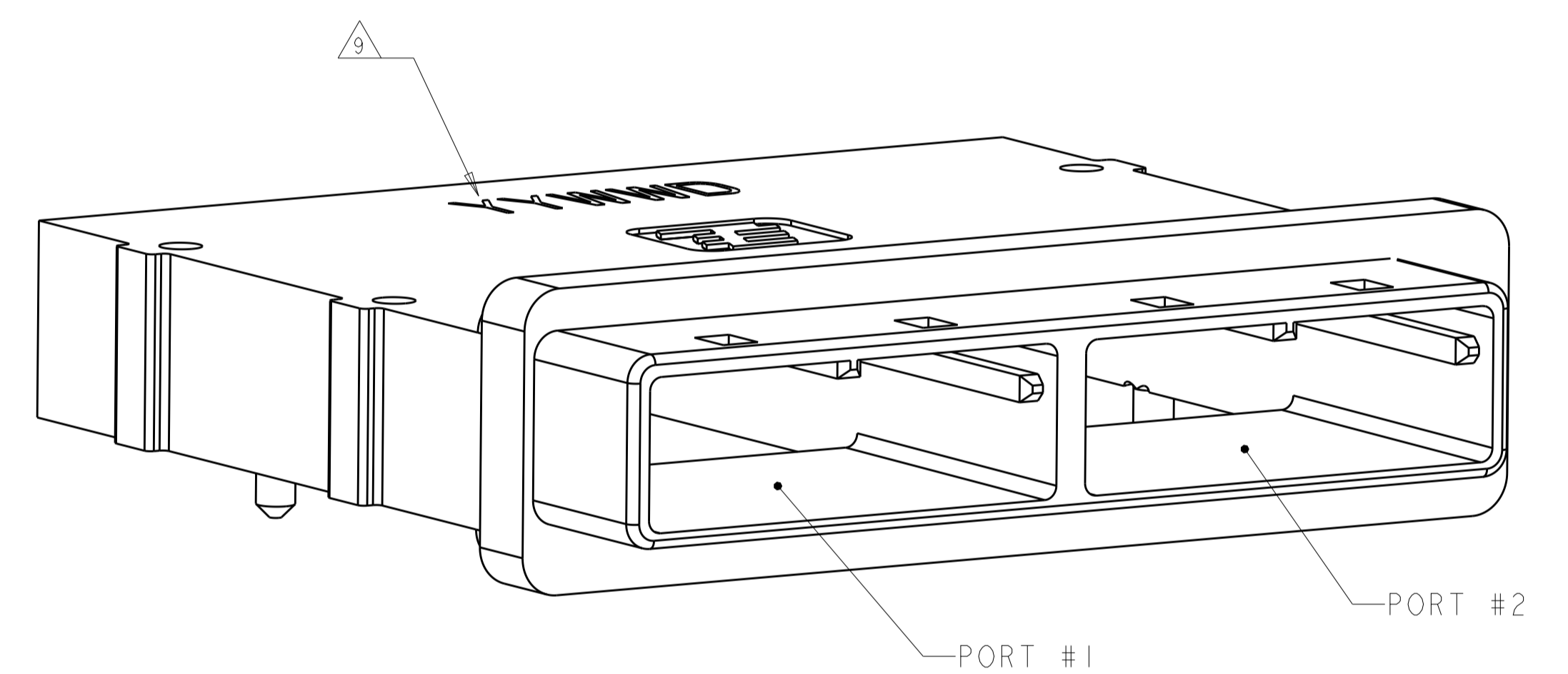
1888321-1  
SCALE 5:1



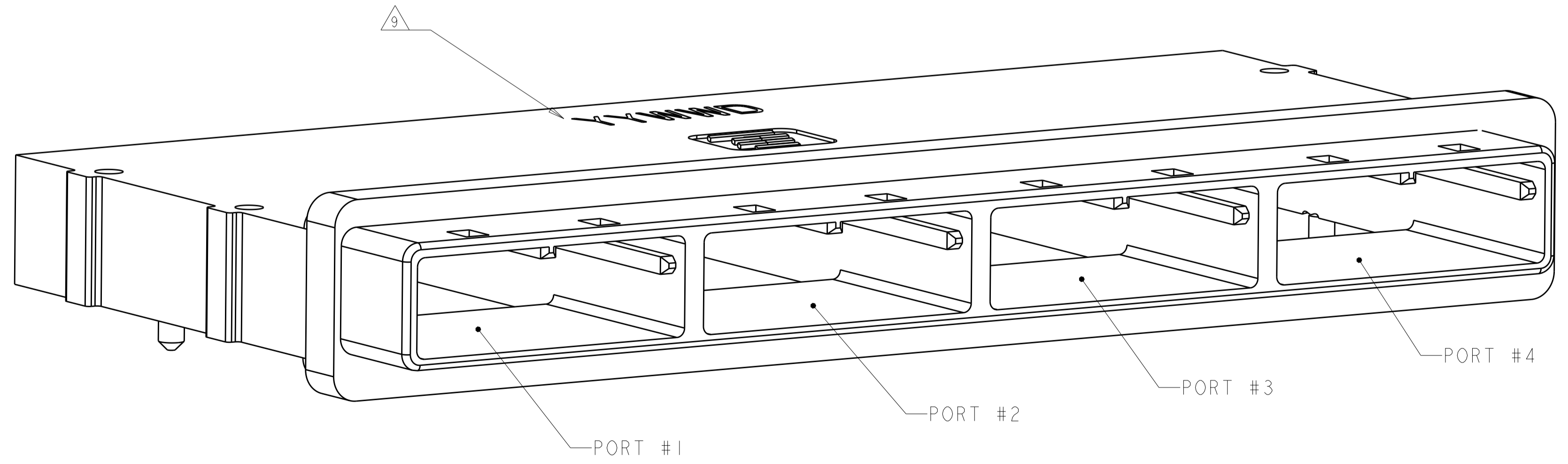
2-1888321-2  
NO GASKET  
SCALE 5:1



1888321-3  
SCALE 5:1



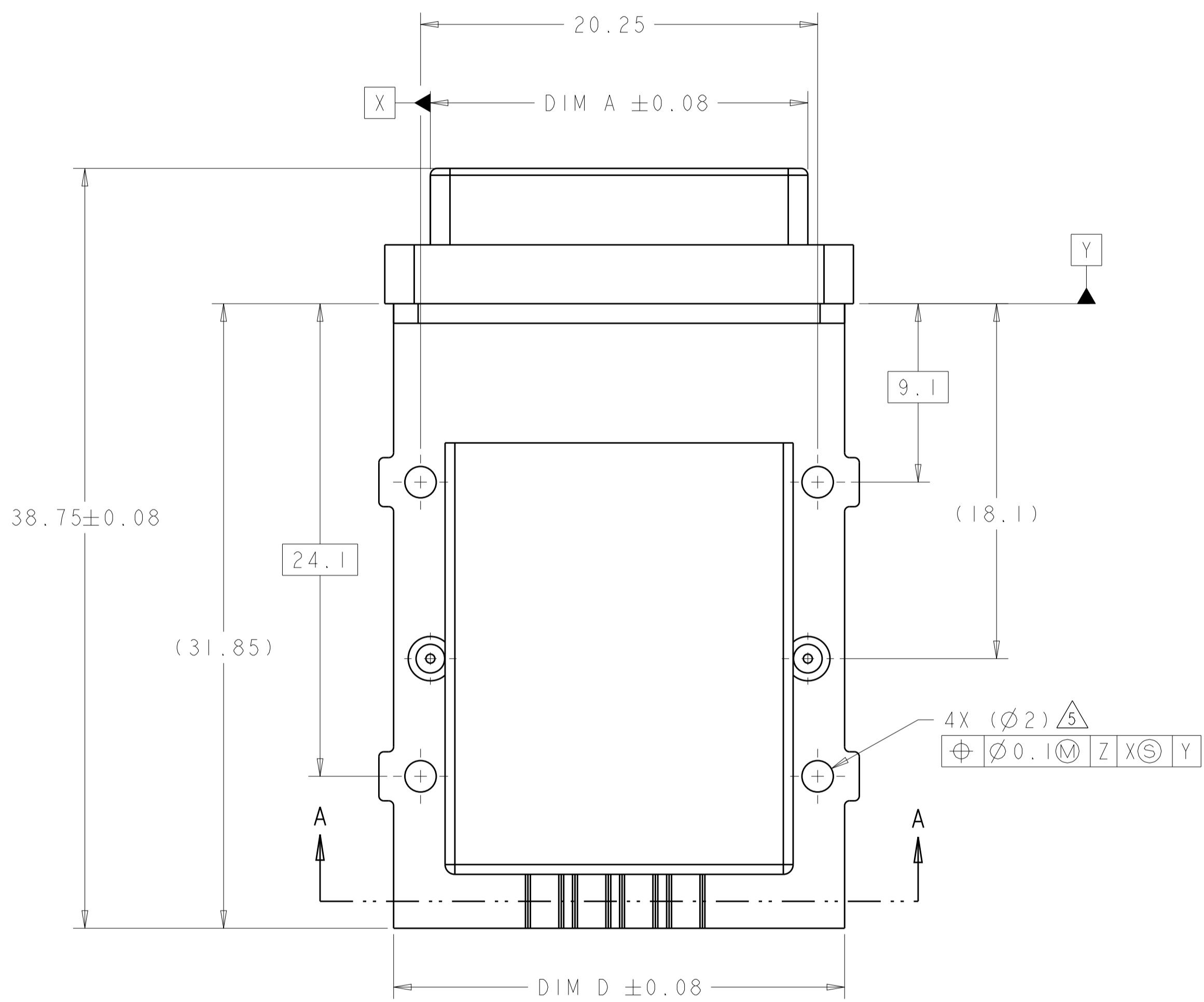
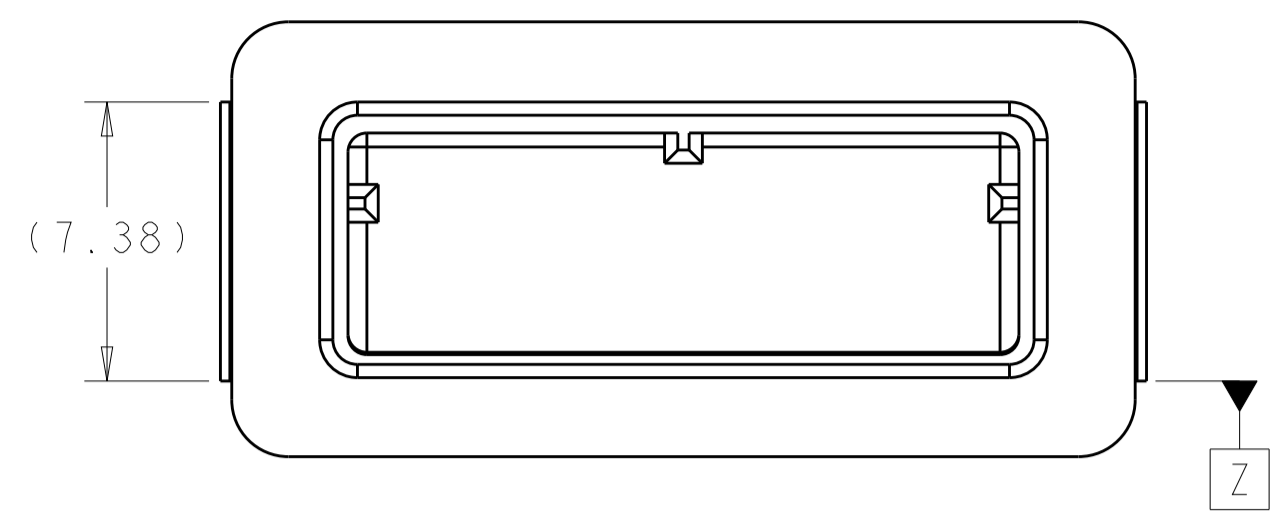
1888321-2  
SCALE 5:1



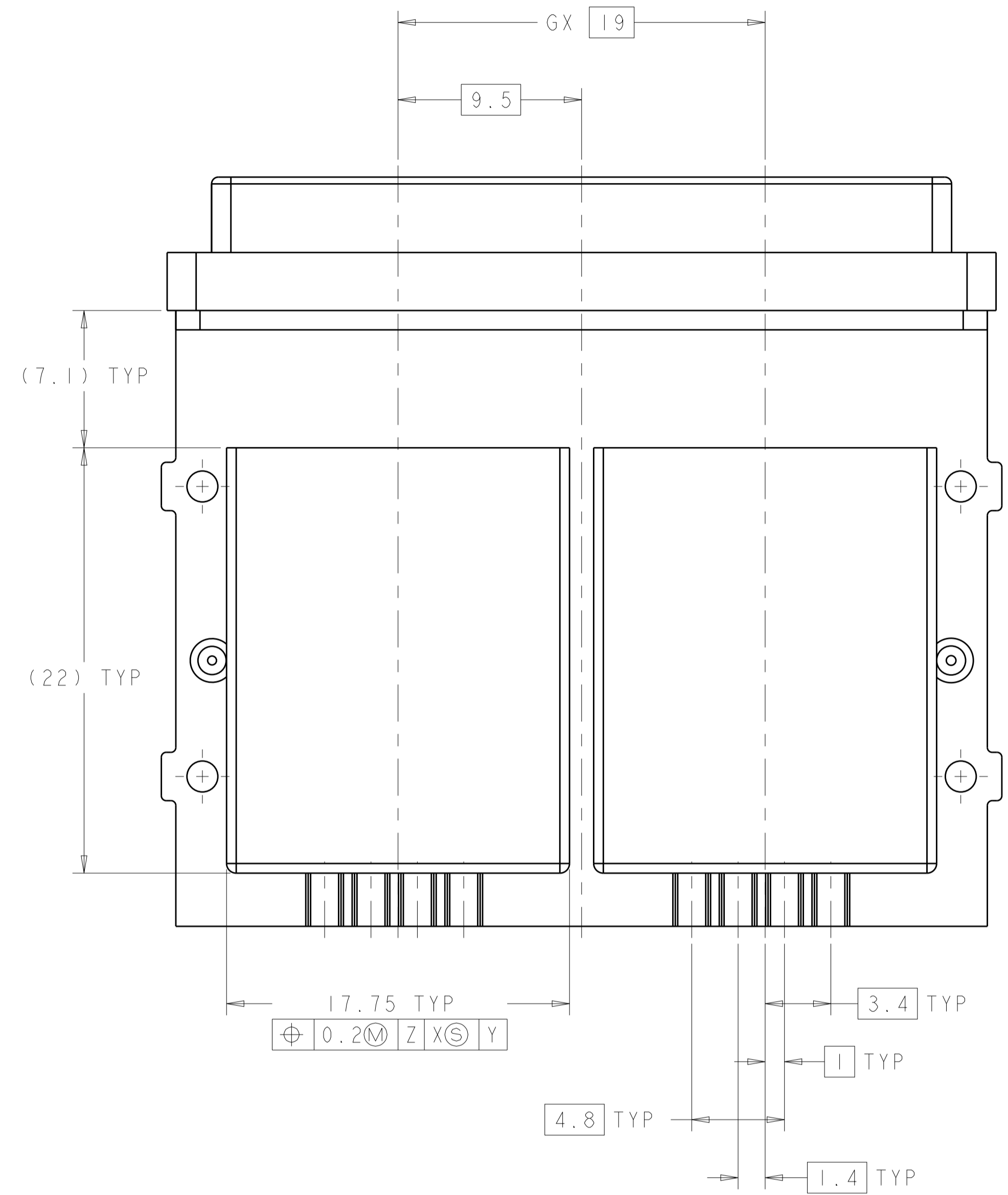
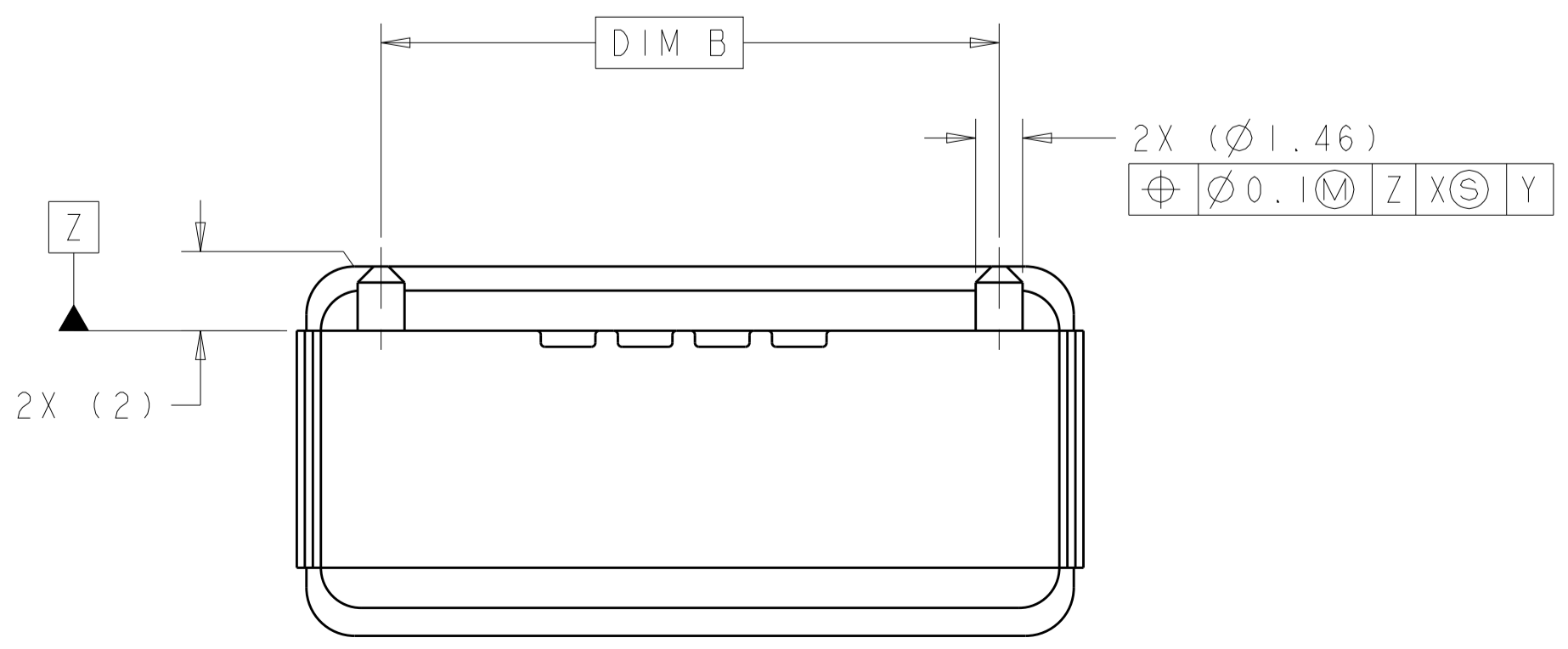
1888321-4  
SCALE 5:1

THIS DRAWING IS A CONTROLLED DOCUMENT. DIMENSIONING AND TOLERANCING PER ASME Y14.5M-2009.		DWN: J. POLIGNONE CHK: D. GORENC APVD: D. GORENC	01AUG07 01AUG07 01AUG07	TE Connectivity NAME: EVERCLEAR Mini-SAS EXTERNAL RECEPTACLE SHELL ASSEMBLY
DIMENSIONS: mm	TOLERANCES UNLESS OTHERWISE SPECIFIED:	PRODUCT SPEC	APPLICATION SPEC	
MATERIAL: SEE NOTES	FINISH: SEE NOTES	WEIGHT: -	Customer Drawing	SCALE: 5:1 SHEET 1 OF 4 REV C

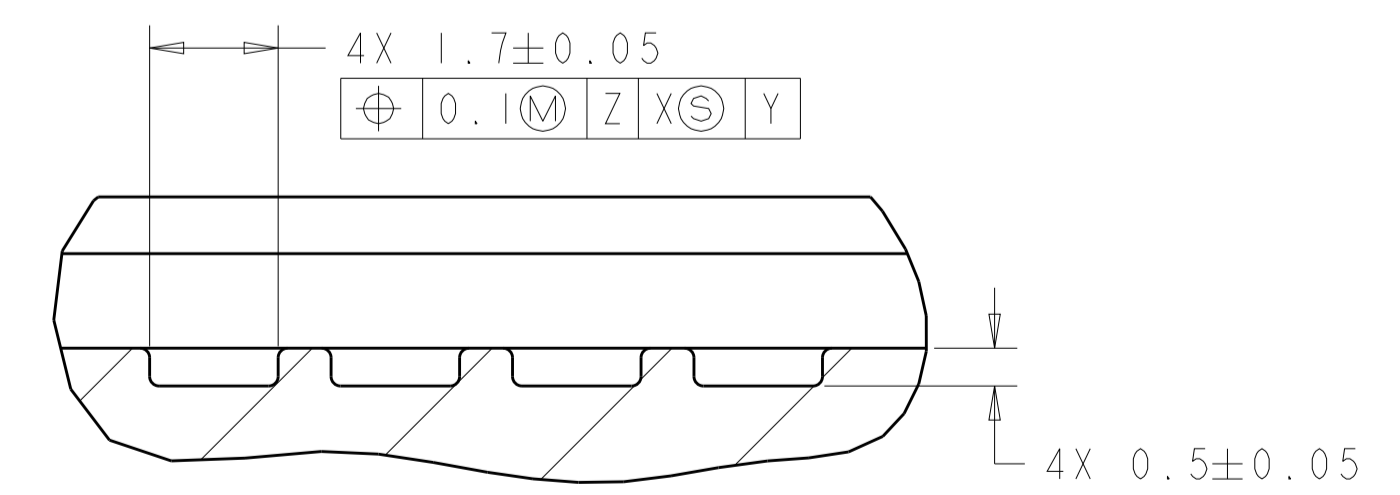
LOC	DIST	REVISIONS			
P	LTN	DESCRIPTION	DATE	DWN	APVD
GP	00	SEE SHEET 1	-	-	-



RECOMMENDED SINGLE PORT LAYOUT  
 SAME AS 1888321-1 EXCEPT AS SHOWN  
 SCALE 5:1



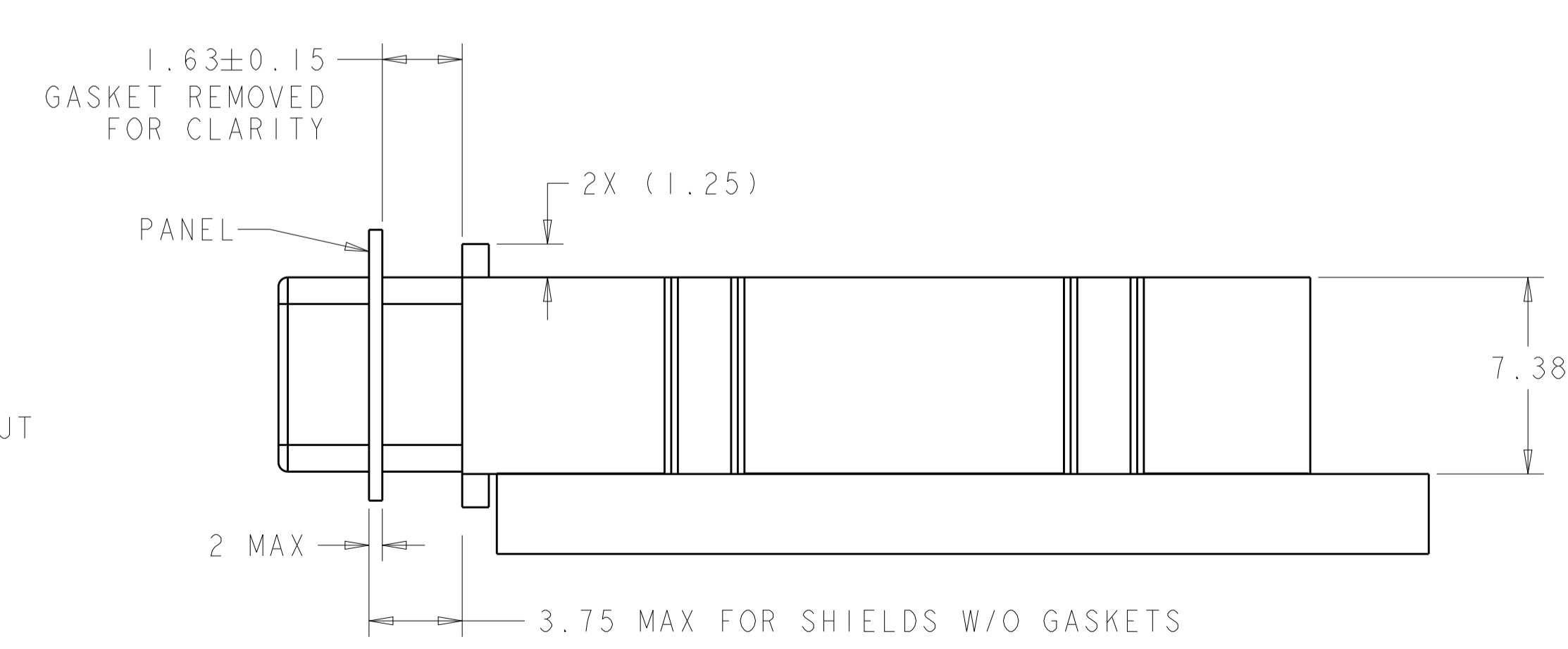
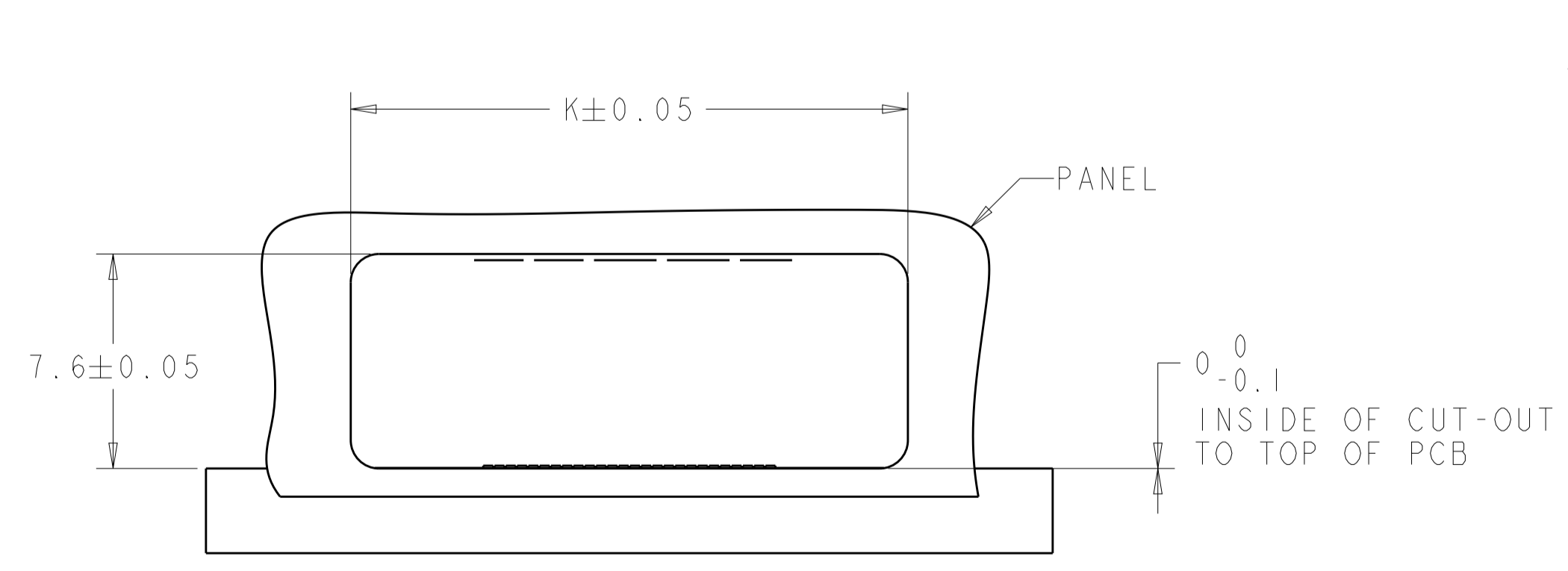
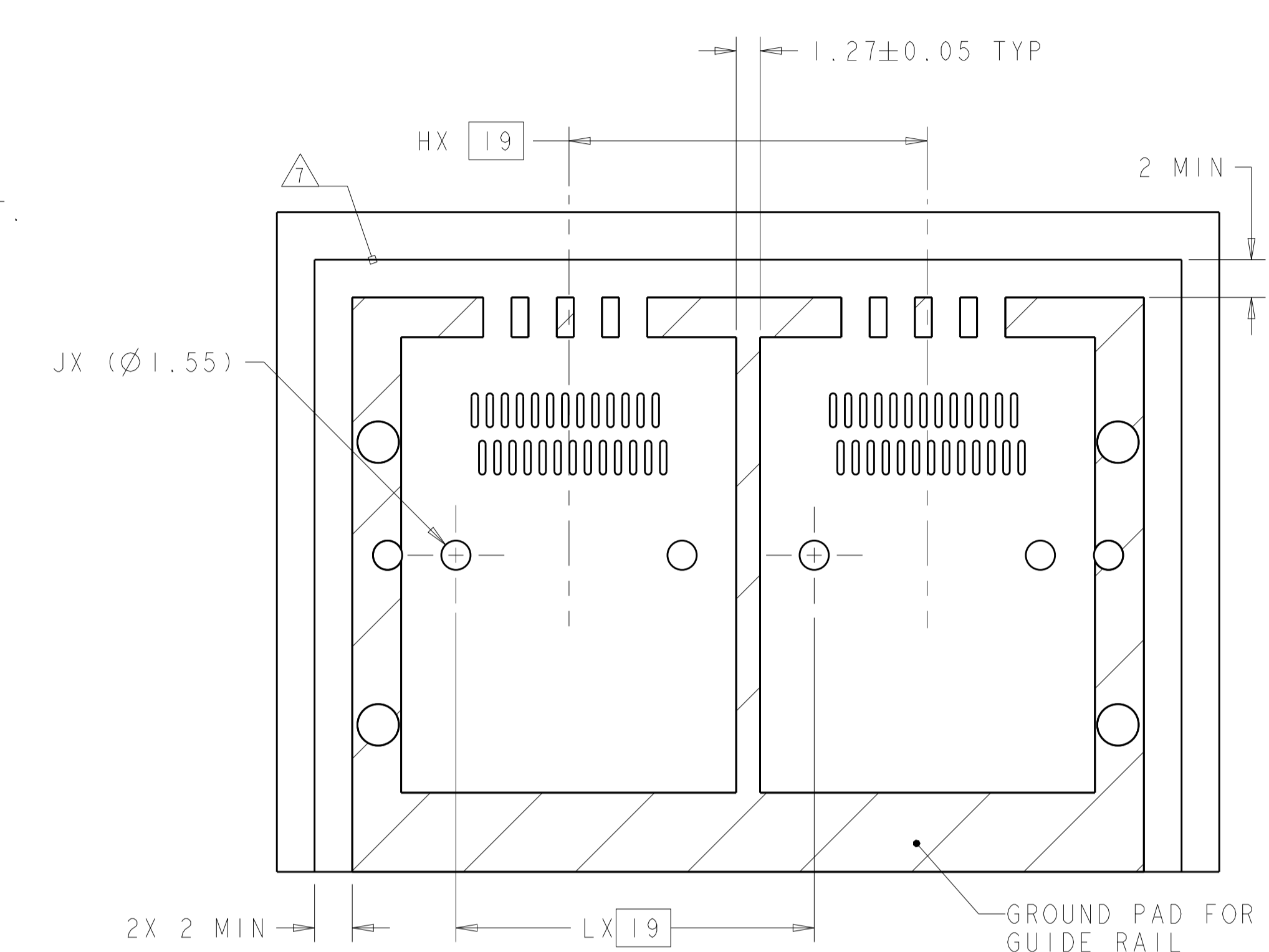
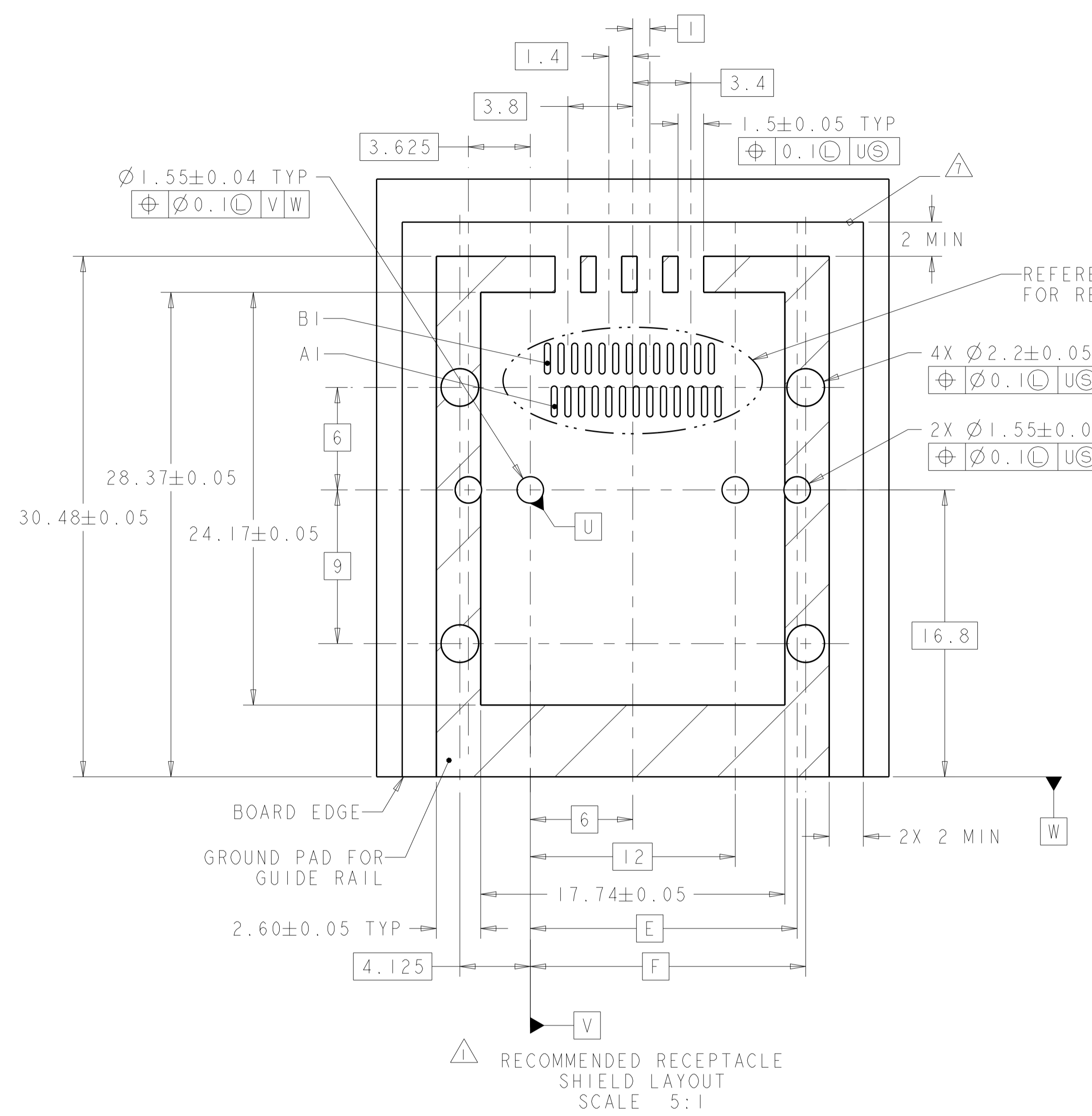
RECOMMENDED MULTI-PORT LAYOUT,  
 SAME AS 1888321-1, EXCEPT AS SHOWN  
 SCALE 5:1



SECTION A-A  
 SCALE 10:1

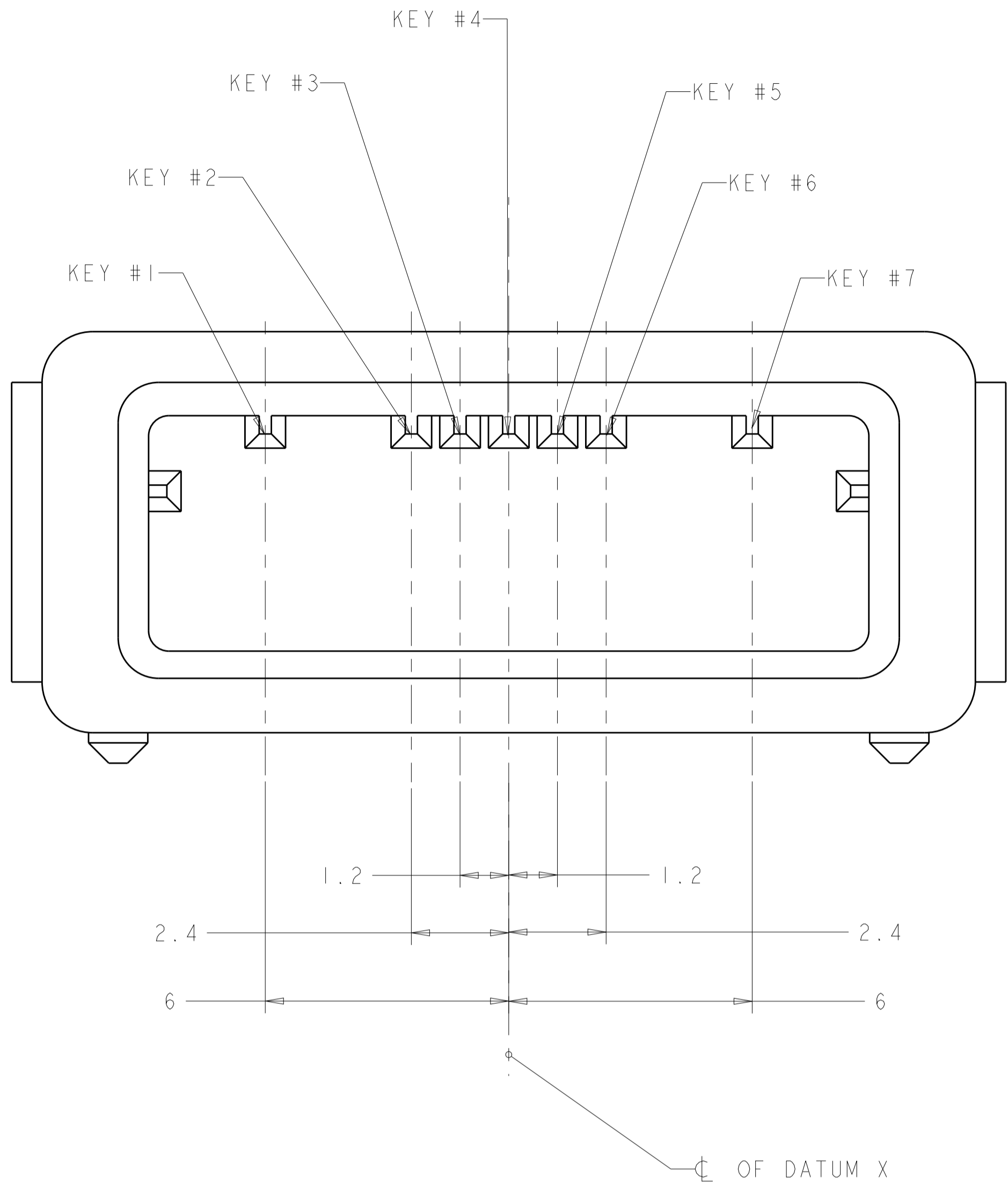
THIS DRAWING IS A CONTROLLED DOCUMENT. DIMENSIONING AND TOLERANCING PER ASME Y14.5M-2009.		DWN J. POLIGNONE 01AUG07	TE Connectivity
DIMENSIONS: mm		CHK D. GORENC 01AUG07	
TOLERANCES UNLESS OTHERWISE SPECIFIED:		APVD D. GORENC 01AUG07	NAME EVERCLEAR Mini-SAS EXTERNAL RECEPTACLE SHELL ASSEMBLY
0 PLC ±	1 PLC ±	PRODUCT SPEC	SIZE CAGE CODE DRAWING NO. RESTRICTED TO
2 PLC ±	3 PLC ±	APPLICATION SPEC	A100779C=1888321
4 PLC ±	ANGLES ±	WEIGHT	SCALE 5:1 SHEET 2 OF 4 REV C
MATERIAL SEE NOTES	FINISH SEE NOTES	Customer Drawing	

LOC		DIST		REVISONS			
GP	00	P	LTN	DESCRIPTION	DATE	DMN	APVD
-	-	-	-	SEE SHEET 1	-	-	-



THIS DRAWING IS A CONTROLLED DOCUMENT. DIMENSIONING AND TOLERANCING PER ASME Y14.5M-2009.		DMN: J. POLIGNONE 01AUG07	TE Connectivity NAME: EVERCLEAR Mini-SAS EXTERNAL RECEPTACLE SHELL ASSEMBLY
DIMENSIONS: mm		CHK: D. GORENC 01AUG07	
TOLERANCES UNLESS OTHERWISE SPECIFIED:		APVD: D. GORENC 01AUG07	PRODUCT SPEC
0 PLC	±	APPLICATION SPEC	SIZE: CAGE CODE DRAWING NO
1 PLC	±	WEIGHT	A100779C=1888321
2 PLC	±	Customer Drawing	SCALE: 3:1 SHEET 3 OF 4 REV C
3 PLC	±		
4 PLC	±		
ANGLES	±		
MATERIAL: SEE NOTES	FINISH: SEE NOTES		

LOC	DIST	REV	DATE	BY	APPD
GP	00				
REVISIONS					



POSSIBLE KEYING POSITION LOCATIONS  
 SCALE 10:1

- △ LOCATIONS OF DATUMS TO BE DETERMINED BY THE CUSTOMER.
- △ ZINC DIE CAST PER ASTM B 86.
- △ PASSIVATE PER ASTM B 102 OVER 2.54µm MINIMUM NICKEL PLATE PER QQ-N-290 OVER 5.08µm MINIMUM COPPER PLATE PER AMS 2418
- △ OMNI DIRECTIONAL CONDUCTIVE FOAM
- △ SHELLS AFFIXED TO PCB VIA CUSTOMER SUPPLIED M2 x 0.4mm THREADED SCREWS.
- 6. PRODUCT USED IN CONJUNCTION WITH SURFACE MOUNT CONNECTOR 1761987-1.
- △ RAISED SOLDER MASK KEEP OUT AREA, APPLIES TO AREA INSIDE BOX.
- △ PRELIMINARY NOT RELEASED FOR PRODUCTION.
- △ DATE CODE APPLIED IN GENERAL AREA AS INDICATED.

	I	38.75	4	I	I	35.125	34.625	42	39.25	38.25	38.25	4	4	-	-	2	2-1888321-2
	I	38.75	4	I	I	35.125	34.625	42	39.25	38.25	38.25	2-4	2-4	-	-	2	1-1888321-3
	I	38.75	4	I	I	35.125	34.625	42	39.25	38.25	35.25	4-6	2-4	-	-	2	1-1888321-2
	I	38.75	4	I	I	35.125	34.625	42	39.25	38.25	38.25	2	6	-	-	2	1-1888321-1
	I	38.75	4	I	I	35.125	34.625	42	39.25	38.25	38.25	2	2	-	-	2	1-1888321-0
	N/A	19.75	2	N/A	N/A	16.125	15.625	23	20.25	19.25	19.25	4-6	-	-	-	1	1888321-9
	N/A	19.75	2	N/A	N/A	16.125	15.625	23	20.25	19.25	19.25	2-4	-	-	-	1	1888321-8
	N/A	19.75	2	N/A	N/A	16.125	15.625	23	20.25	19.25	19.25	6	-	-	-	1	1888321-7
	N/A	19.75	2	N/A	N/A	16.125	15.625	23	20.25	19.25	19.25	2	-	-	-	1	1888321-6
OBSOLETE	3	76.75	8	3	3	73.125	72.625	80	77.25	76.25	76.25	4	4	4	4	4	△ 1888321-4
OBSOLETE	2	57.75	6	2	2	54.125	53.625	61	58.25	57.25	57.25	4	4	4		3	△ 1888321-3
	I	38.75	4	I	I	35.125	34.625	42	39.25	38.25	38.25	4	4	-	-	2	1888321-2
	N/A	19.75	2	N/A	N/A	16.125	15.625	23	20.25	19.25	19.25	4	-	-	-	1	1888321-1
	L	K	J	H	G	F	E	D	C	B	A	KEYING POSITION				# OF PORTS	PART NUMBER
												PORT 1 (SINGLE PORT)	PORT 2	PORT 3	PORT 4		

THIS DRAWING IS A CONTROLLED DOCUMENT. DIMENSIONING AND TOLERANCING PER ASME Y14.5M 2009. TOLERANCES UNLESS OTHERWISE SPECIFIED:

DIMENSIONS:	mm	0 PLC ±	1 PLC ±	2 PLC ±	3 PLC ±	4 PLC ±	ANGLES	FINISH	SEE NOTES
-------------	----	---------	---------	---------	---------	---------	--------	--------	-----------

DATE: 01AUG07  
 CHK: J. POLIGNONE  
 D. GORENC  
 APVD: D. GORENC  
 NAME: EVERCLEAR Mini-SAS EXTERNAL RECEPTACLE SHELL ASSEMBLY  
 SIZE: A1  
 CAGE CODE: 100779  
 DRAWING NO: 1888321  
 SCALE: 3:1  
 SHEET: 4 OF 4  
 REV: C