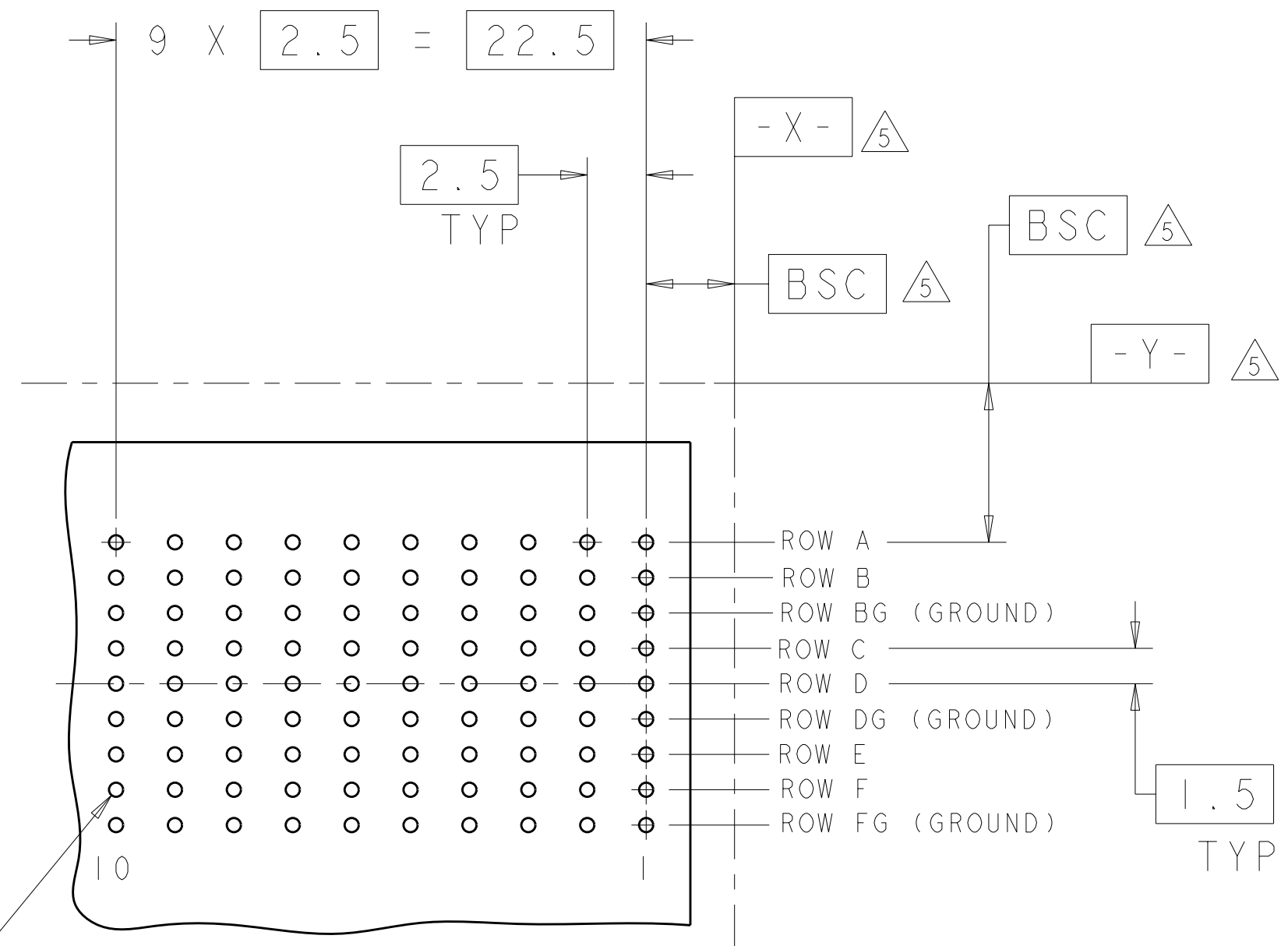
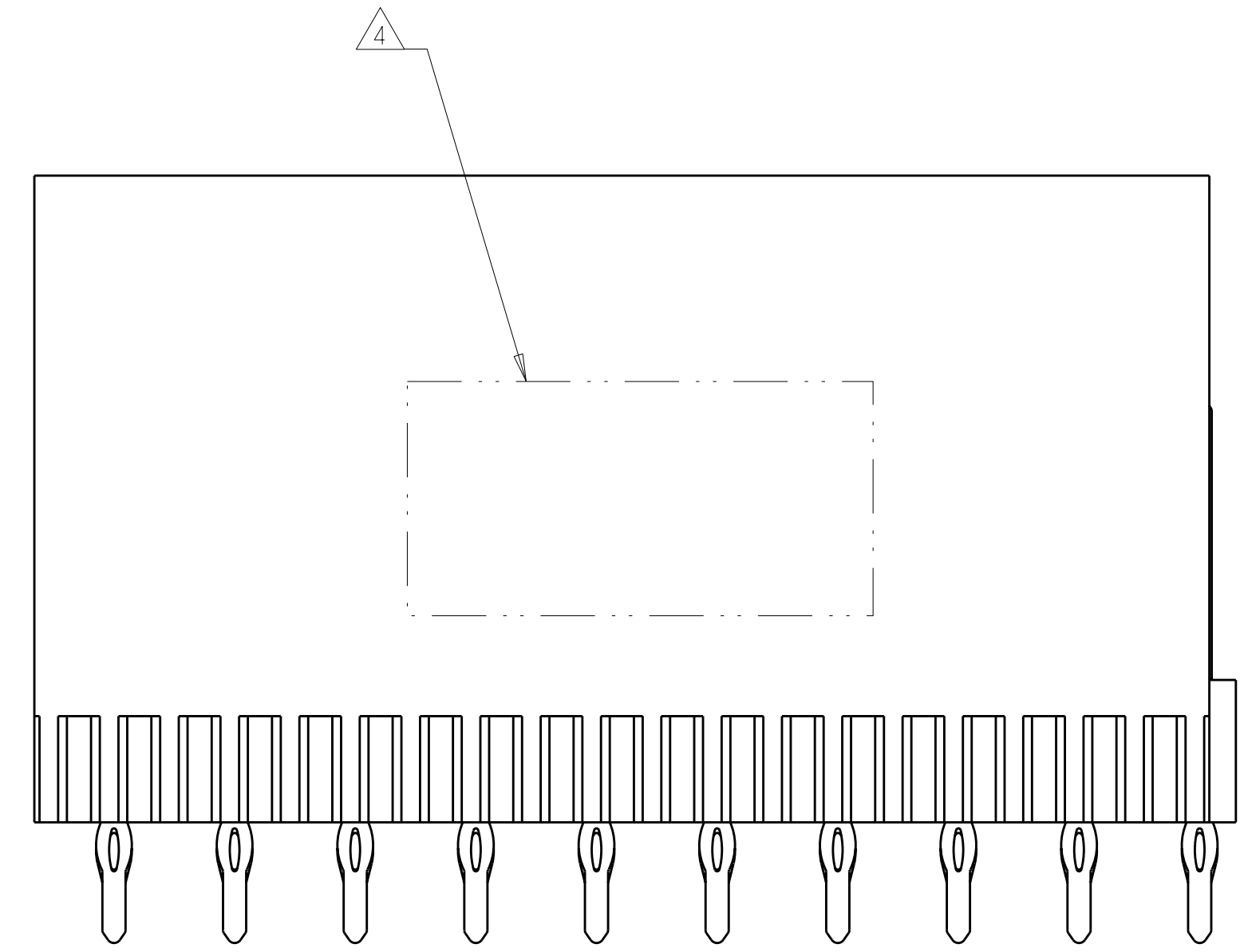
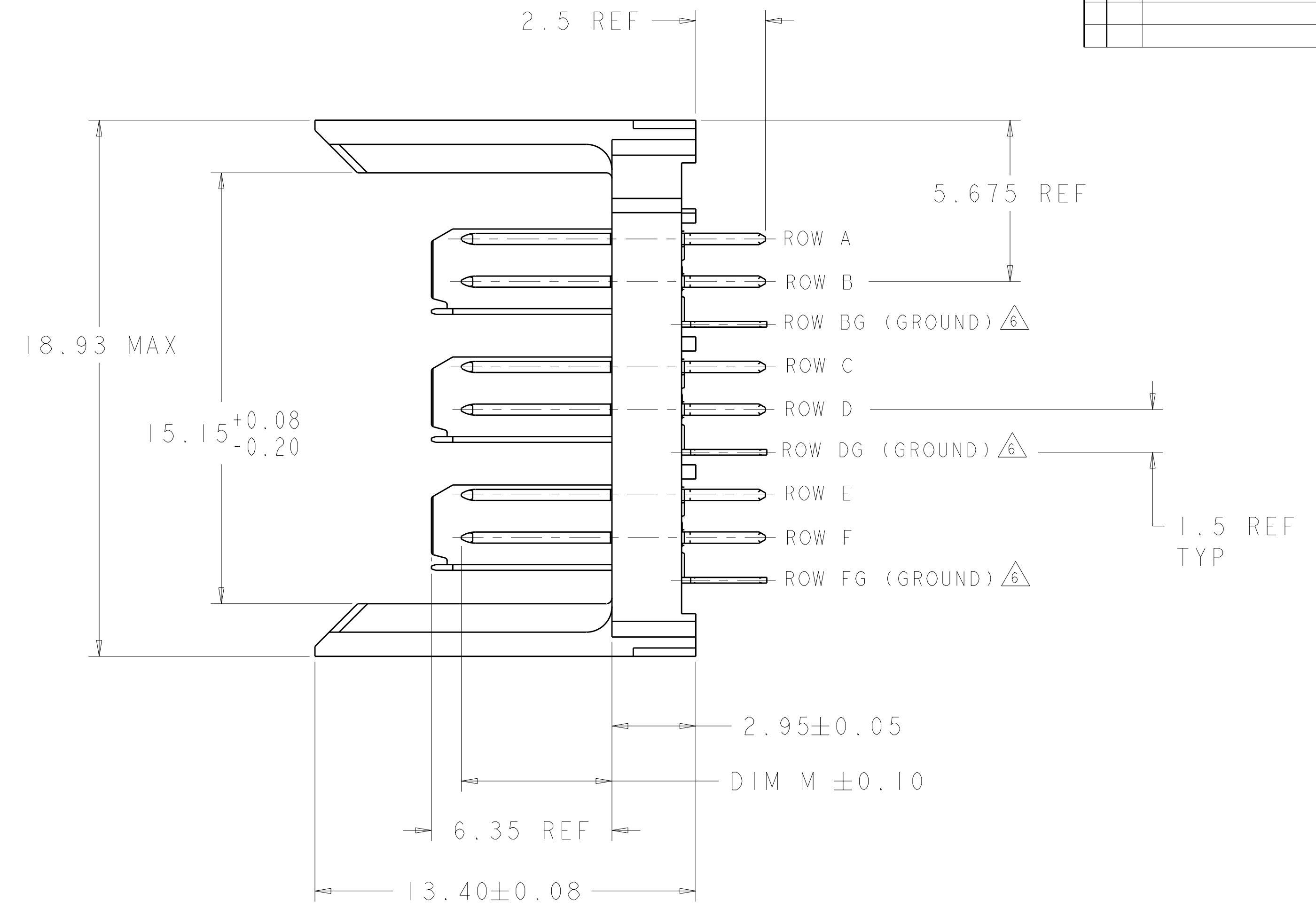
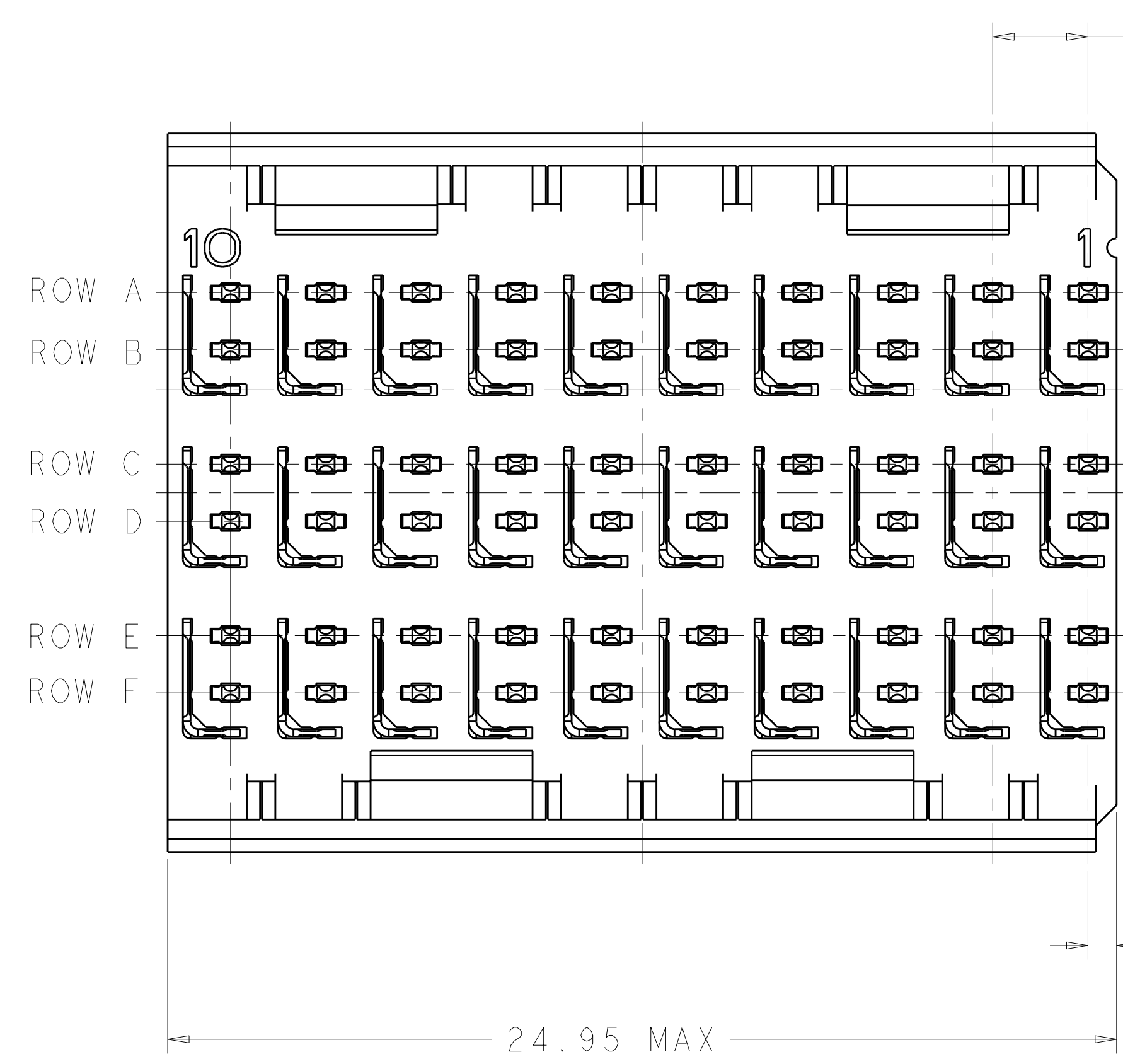


LOC		DIST		REVISIONS			
AD	00	REV	DATE	BY	CHK	APPD	
B			17JAN12		KH	DY	



⊕ | Ø0.05(S) | X | Y  
 ALL PLATED THRU HOLES

RECOMMENDED PC BOARD LAYOUT, BACKPLANE, COMPONENT SIDE SHOWN SCALE 4:1

- 1. REFERENCE APPLICATION SPEC 114-13059 FOR RECOMMENDED PLATED THRU HOLE DIAMETER AND PLATING THICKNESSES.
- 2. MATERIAL: CONTACT AND SHIELD - PHOSPHOR BRONZE HOUSING - GLASS FILLED POLYESTER, UL 94V-0.
- 3. FINISH: SIGNAL AND GROUND CONTACTS: MATING AREA: MEETS THE PERFORMANCE REQUIREMENTS OF PRODUCT SPECIFICATION 108-2055; BASED ON TELCORDIA GR-1217-CORE, APPLICATIONS IN UNCONTROLLED ENVIRONMENTS COMPLIANT PIN AREA: 0.5 μm MIN MATTE TIN OVER BASE PLATING
- 4. CONNECTOR MARKED WITH PART NUMBER AND DATE CODE.
- 5. DATUMS AND BASIC DIMENSIONS ESTABLISHED BY CUSTOMER.
- 6. THE THREE GROUNDS IN EACH COLUMN ARE COMMONED.
- 7. CONTACT AREA LUBRICATED WITH BELLCORE APPROVED LUBRICANT. TECHNICAL REFERENCE: GR-1217-CORE, ISSUE 1, NOVEMBER 1995.
- 8. FINISH: CONTACT AND SHIELD MATING AREA - 1.27μm MIN GOLD OVER 1.27μm MIN NICKEL COMPLIANT PIN AREA - 0.5μm MIN TIN OVER 1.27μm MIN NICKEL

DIM M	FINISH	PART NUMBER
5.30	8	6469083-3
3.80	3	6469083-2
5.30	3	6469083-1

THIS DRAWING IS A CONTROLLED DOCUMENT.		DWN S. MAGARO 28JUN2004	TE Connectivity
DIMENSIONS: mm		CHK R. PATTERSON 28JUN2004	
TOLERANCES UNLESS OTHERWISE SPECIFIED:		APPD R. PATTERSON 16AUG2007	NAME HEADER ASSEMBLY, 3 PAIR, 2.5mm TAIL, 25mm, HMZd
9 PLC ±	3 PLC ±	PRODUCT SPEC	SIZE CAGE CODE DRAWING NO RESTRICTED TO
5 PLC ±	4 PLC ±	APPLICATION SPEC	A100779C=6469083
ANGLES ±	FINISH SEE TABLE	WEIGHT	SCALE 8:1 SHEET 1 OF 1 REV B
MATERIAL	FINISH	CUSTOMER DRAWING	