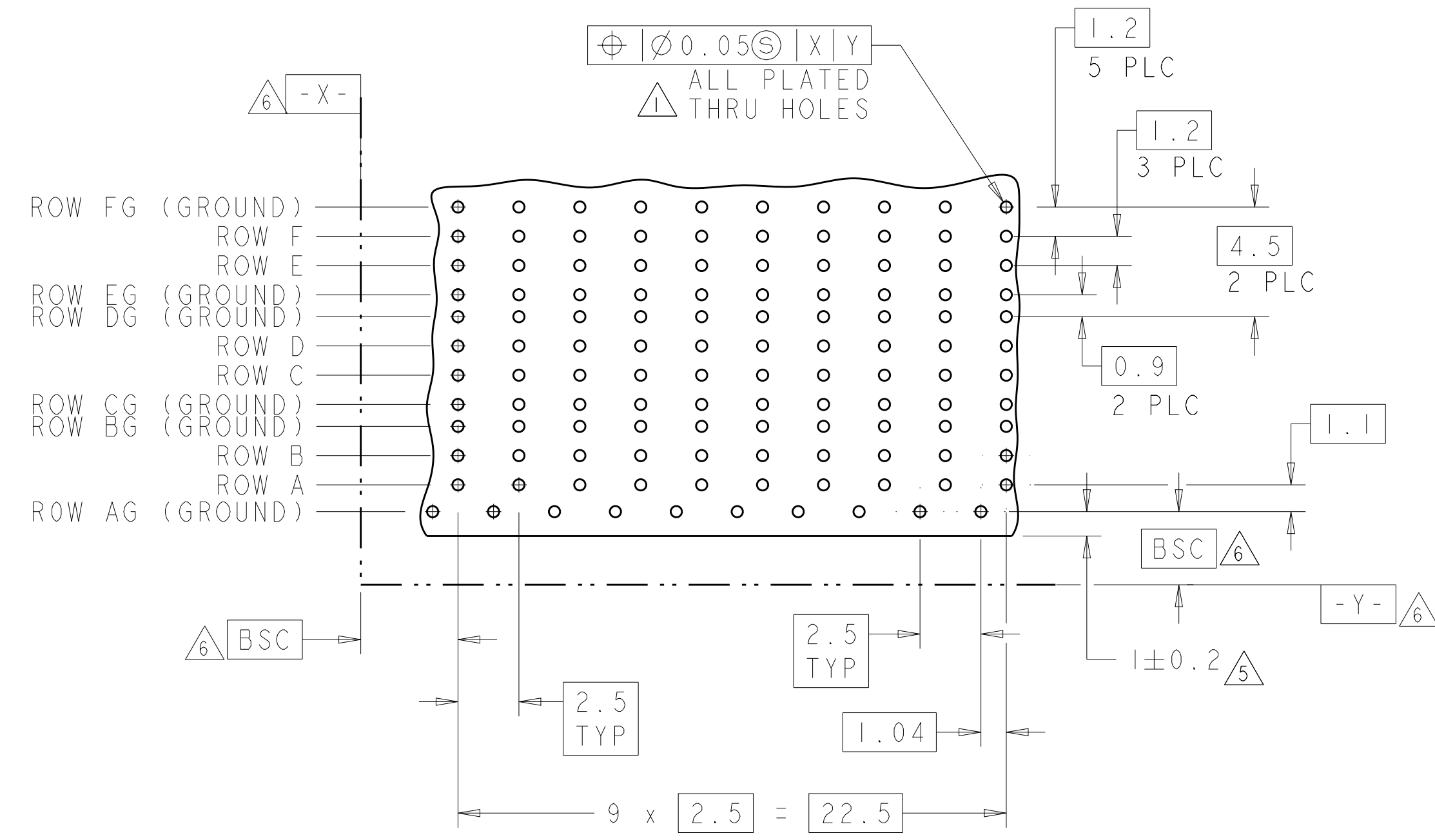
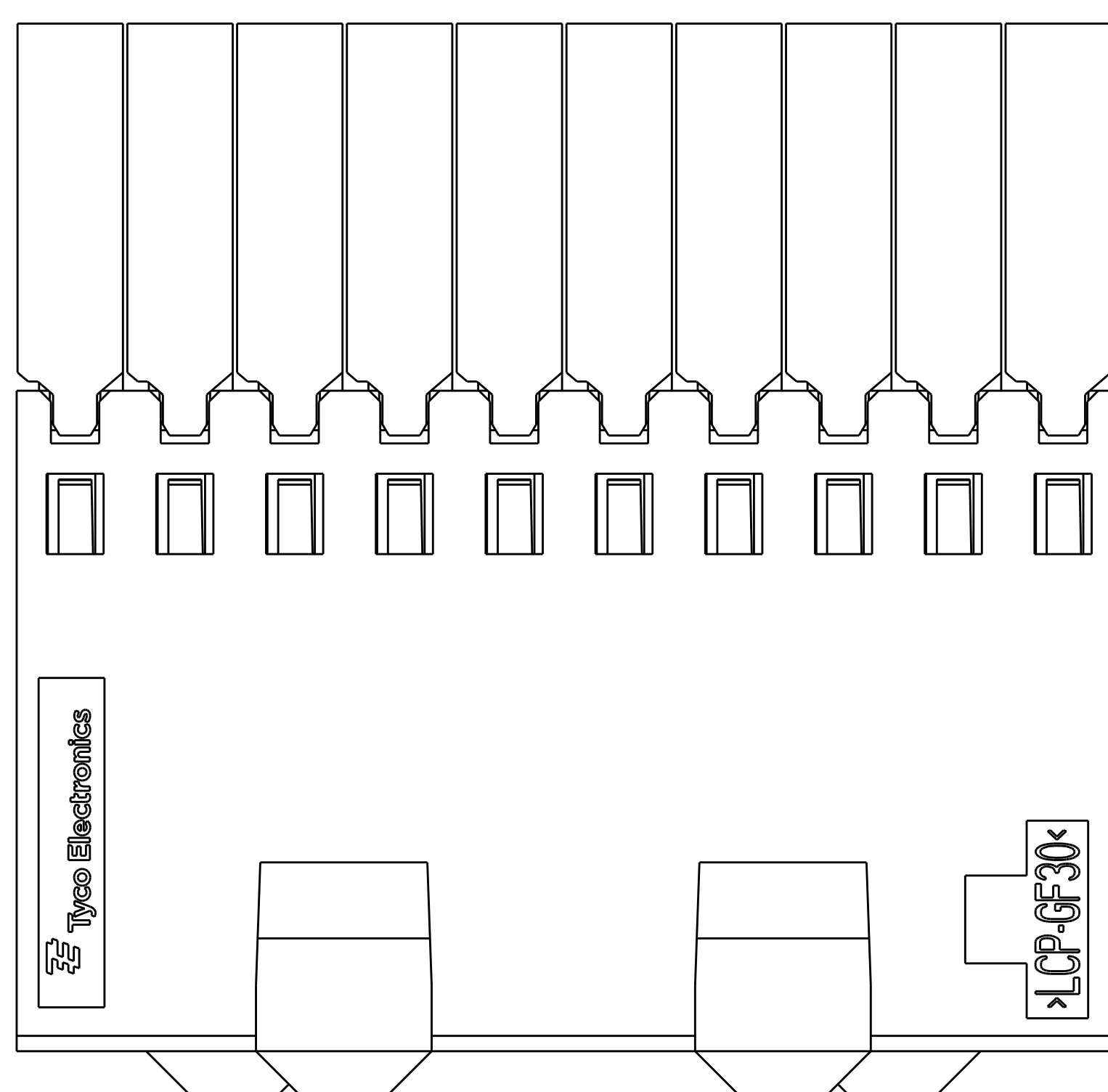
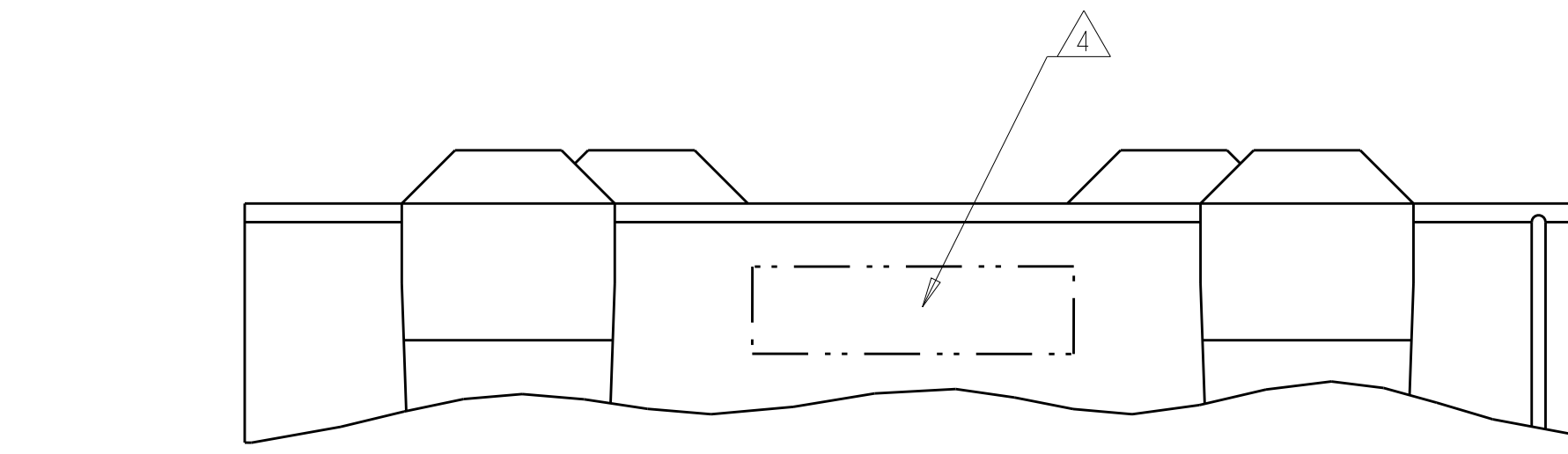
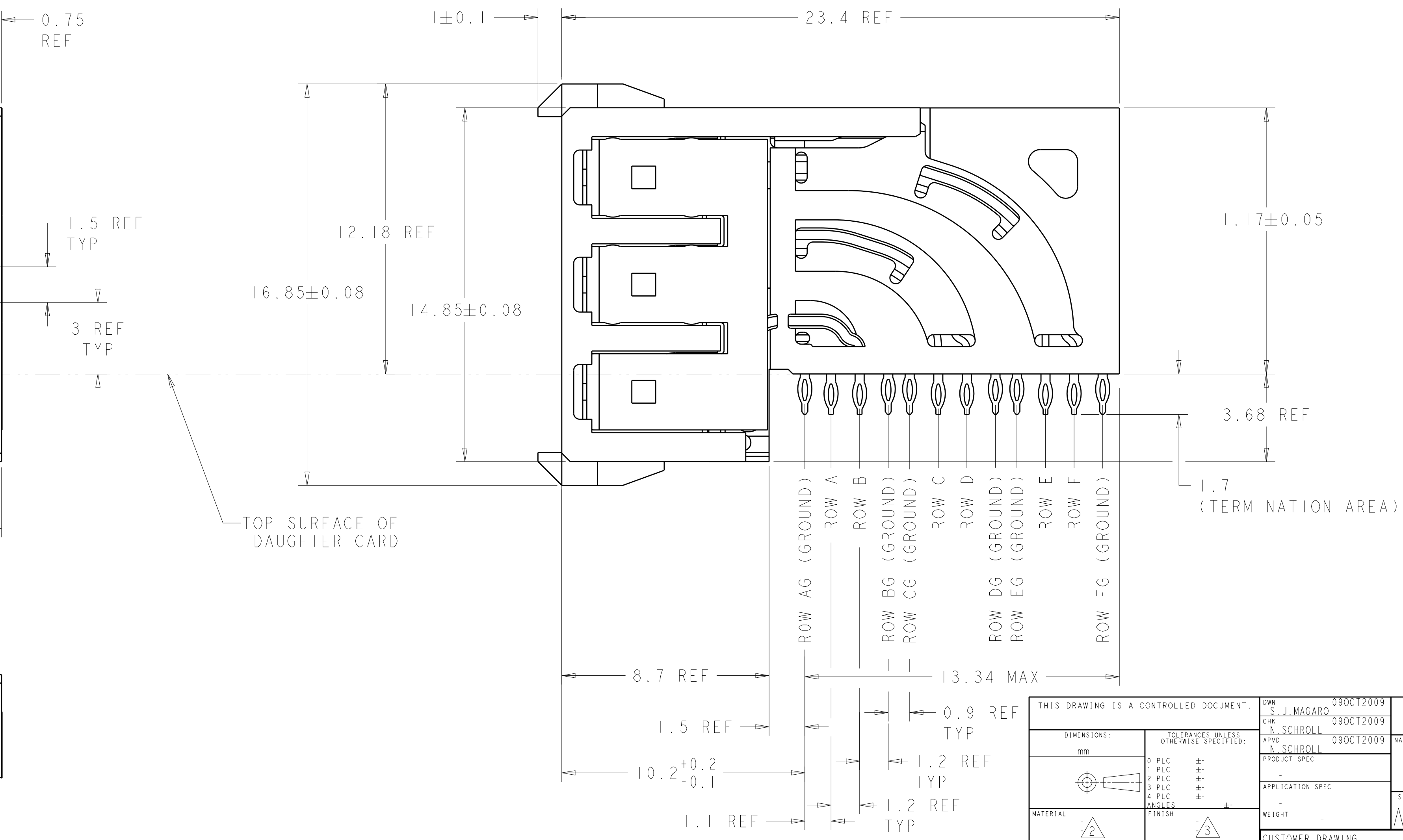
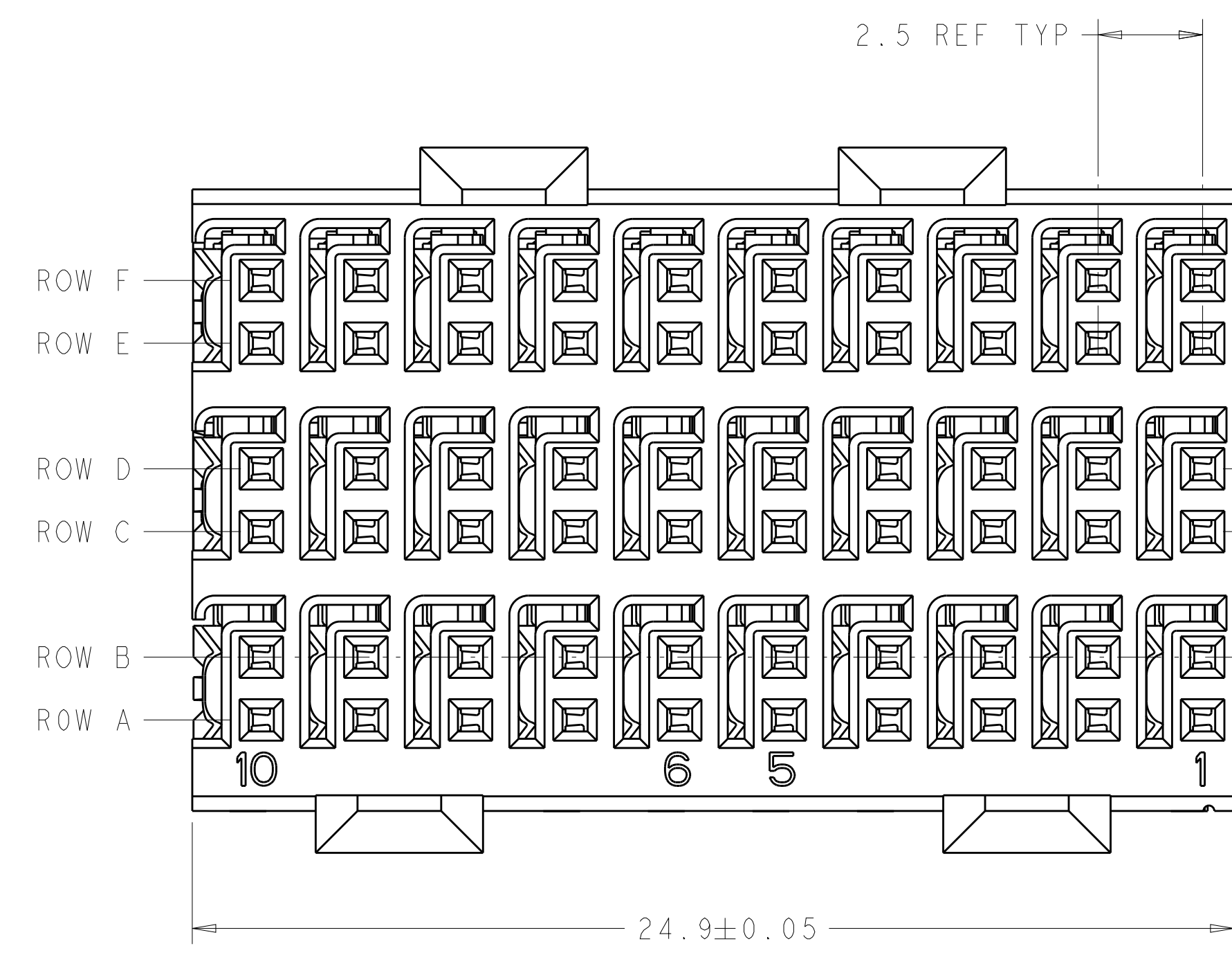


LOC		DIST		REVISIONS			
AD	00	P	LTN	DESCRIPTION	DATE	DWN	APVD
		B		REVISED PER ECO-12-010079	04OCT2012	KH	JE



RECOMMENDED PC BOARD LAYOUT,
 DAUGHTER BOARD,
 COMPONENT SIDE SHOWN
 SCALE 5:1

- 1. REFERENCE APPLICATION SPEC 114-13059 FOR RECOMMENDED PLATED THRU HOLE DIAMETER AND PLATING THICKNESSES.
- 2. MATERIAL:
 SHIELD - PHOSPHOR BRONZE
 CONTACT - COPPER-NICKEL-SILICON
 HOUSING, CHICKLET AND CHICKLET COVER - GLASS FILLED POLYESTER, UL 94V-0 RATED.
- 3. FINISH: CONTACT AND SHIELD
 MATING AREA:
 MEETS THE PERFORMANCE REQUIREMENTS OF TYCO ELECTRONICS PRODUCT SPECIFICATION, 108-2055-1; BASED ON TELCORDIA GR-1217-CORE, APPLICATIONS IN UNCONTROLLED ENVIRONMENTS.
 COMPLIANT PIN AREA:
 0.5µm MIN BRIGHT TIN/LEAD OVER BASE PLATING.
- 4. CONNECTOR MARKED WITH PART NUMBER AND DATE CODE IN APPROXIMATE AREA SHOWN.
- 5. DIMENSION APPLIES TO CENTERLINE OF THRU HOLE.
- 6. DATUMS AND BASIC DIMENSIONS ESTABLISHED BY CUSTOMER.
- 7. CONTACT AREA LUBRICATED WITH BELLCORE APPROVED LUBRICANT. TECHNICAL REFERENCE: GR-1217-CORE, ISSUE 1, NOVEMBER 1995.
- 8. FINISH: CONTACT AND SHIELD
 MATING AREA:
 MEETS THE PERFORMANCE REQUIREMENTS OF TYCO ELECTRONICS PRODUCT SPECIFICATION, 108-2055-1; BASED ON TELCORDIA GR-1217-CORE, APPLICATIONS IN UNCONTROLLED ENVIRONMENTS.
 COMPLIANT PIN AREA:
 0.5µm MIN MATTE TIN OVER BASE PLATING.



3	2065883-2
8	2065883-1
FINISH	PART NUMBER

THIS DRAWING IS A CONTROLLED DOCUMENT.

DIMENSIONS:	TOLERANCES UNLESS OTHERWISE SPECIFIED:	DWN S. J. MAGARO 09OCT2009	NAME ASSEMBLY, Z-Pack Hm-Zd Plus, RECEPTACLE, 3 PAIR
mm	0 PLC ±	CHK N. SCHROLL 09OCT2009	SIZE CAGE CODE DRAWING NO RESTRICTED TO
	1 PLC ±	APVD N. SCHROLL 09OCT2009	A100779C=2065883
	2 PLC ±	PRODUCT SPEC	SCALE 8:1 SHEET 1 OF 1 REV B
	3 PLC ±	APPLICATION SPEC	
	4 PLC ±	WEIGHT	
	5 PLC ±	CUSTOMER DRAWING	
	ANGLES		
	FINISH		