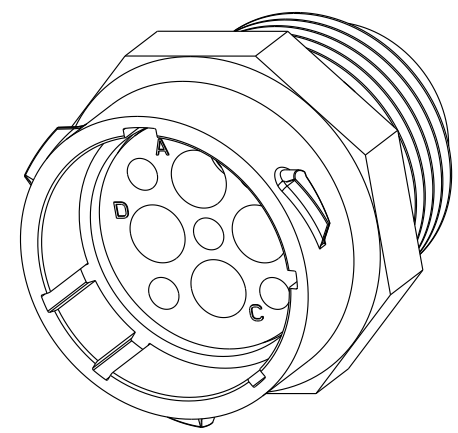
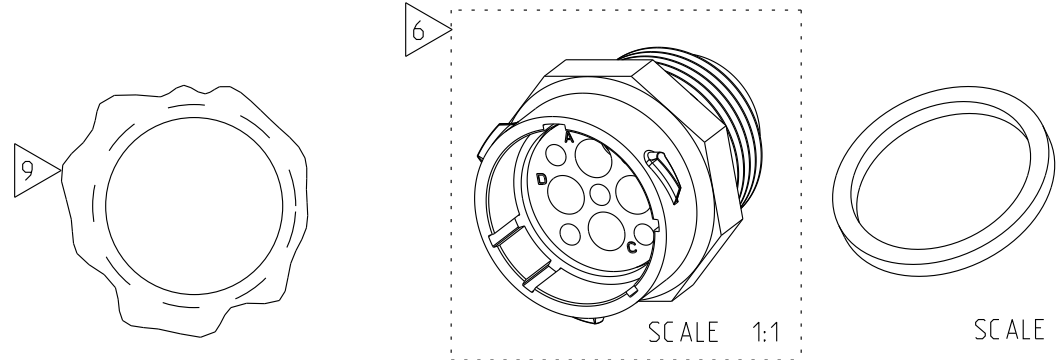
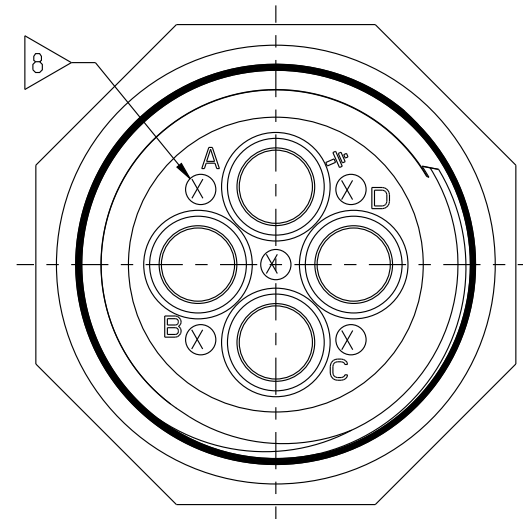
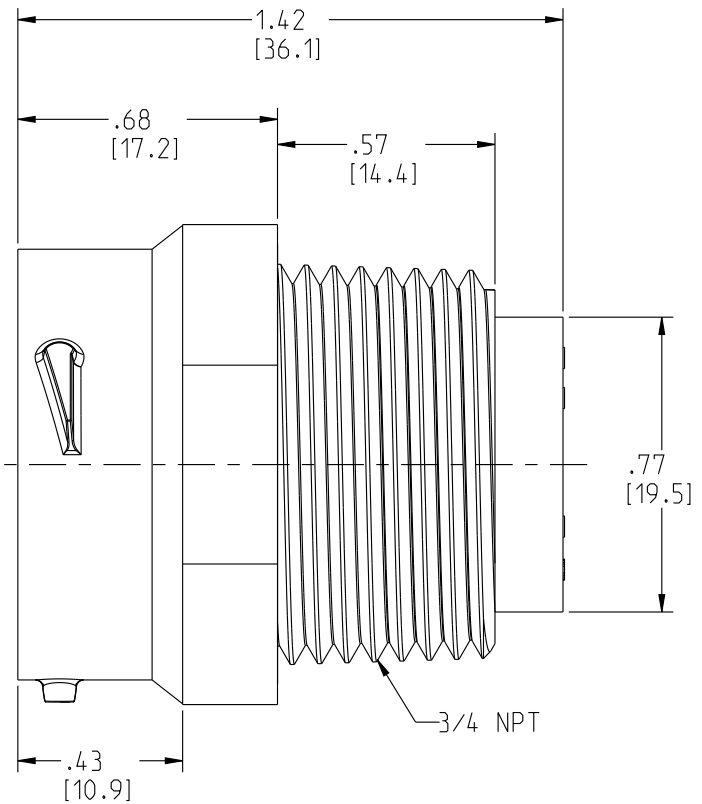
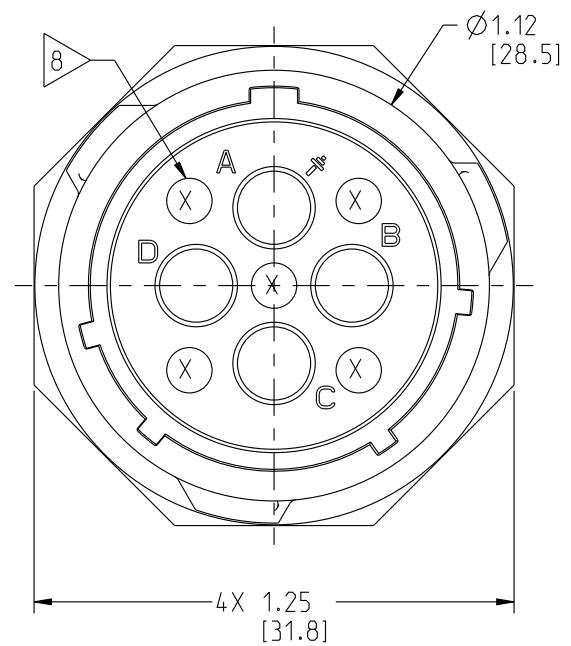
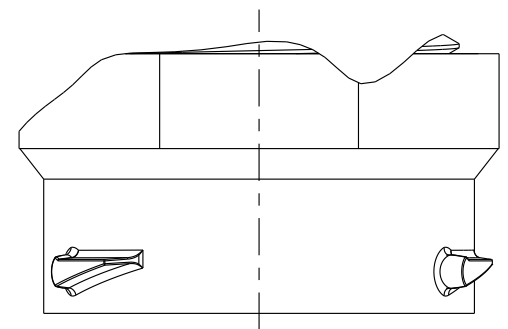


DWG. NO.
S99697

THIS DRAWING IS A CONTROLLED DOCUMENT FOR SOURIAU USA, INC. IT IS SUBJECT TO CHANGE WITHOUT NOTIFICATION. CONTACT THE DOCUMENT CONTROL CENTER FOR THE LATEST REVISION.

THE INFORMATION CONTAINED IN THIS DRAWING IS CONFIDENTIAL AND MAY NOT BE DISCLOSED WITHOUT WRITTEN CONSENT FROM SOURIAU USA, INC.



SCALE 3:2

Client Drawing Approval	
X	Option
	Approved with no Exceptions
	Approved with Exceptions Noted
	Revision/Resubmission Required
	Rejected
The signature above indicates the client's authorized representative has reviewed, understands, and concurs with the requirements defined herein. If no signature is provided, placement of a purchase order by the client is considered drawing acceptance.	

LINEAR MEASURE:	$\frac{\text{INCH}}{\text{mm}}$ INCH [mm]
THIRD ANGLE PROJECTION	
TOLERANCES UNLESS OTHERWISE SPECIFIED	
No. OF PLACES	INCH [mm]
ONE PLACE	$\pm .1$ [± 3]
TWO PLACES	± 0.02 [$\pm .5$]
THREE PLACES	± 0.010 [$\pm .25$]
ANGLES $\pm 1^\circ$	

NOTES:

- MATES WITH UTS6_ _183G1S
- USES 1-TO-4 ea. SIZE-8, 3.6mm PIN CONTACTS. (CONTACTS ORDERED SEPARATELY)
CONTACT TYPE: REFER TO SOURIAU BSD20233002
- MATERIALS
 - HOUSING: POLYAMIDE UL94V0, COLOR-BLACK
 - ALL MATERIALS ARE RoHS COMPLIANT.
- MECHANICAL PERFORMANCE
 - OPERATING TEMPERATURE: -40° TO 105°C
 - CORROSION: SALT SPRAY, 500 HOURS
 - DURABILITY: 250 MATE-UNMATE CYCLES
 - SEALING: WHEN MATED TO CABLE PLUG (NOTE-1):
IEC 60529-IP68: 10m WATER, 1-WEEK;
-IP69K: HIGH-PRESSURE WATER, DIN 40050
 - TYPICAL INSTALLATION: OUTLET BOX
RECOMMENDED TOOLS: 8-POINT 1 1/4 SOCKET; MAX. TORQUE 66 IN.-LB.
- ELECTRICAL PERFORMANCE
 - DIELECTRIC WITHSTANDING VOLTAGE / INSULATION RESISTANCE
2200 VRMS MAX. BETWEEN CIRCUITS / 5000 MOhm MIN. @ 500 VDC
 - OPERATING VOLTAGE: 600 VAC MAX.
 - CIRCUIT USE:
B,C,D: 44 AMP MAX.
A: GROUND: FIRST MATE LAST BREAK
- RUBBER WASHER IS BULK-PACKAGED: LABEL INCLUDES SOURIAU P/N & QTY.
- UL 1977 RECOGNIZED.
- MOLDING "VOID CORES" ARE INDICATED "X"
- PANEL CUTOUT IF APPLICABLE: TAP DRILL 59/64 OR .922 INCH (23.42mm) 3/4-NPT INTERNAL THREAD.
- UNITED STATES PATENT 7,995,125

REV	DESCRIPTION	BY DATE	CHKD DATE
C	REVISED PER ECN 11721	RSK 05-16-12	NPP 05-16-12
B	REVISED PER ECN 11550	SSF 11-03-11	NPP 11-03-11
A	RELEASED PER ECN 11468	TJS 07-13-11	NPP 07-13-11

DRAWING TITLE		UTS RECEPTACLE, SIZE-18, NPT-3/4	
CAT NO.		UTS7183G1PNPT	
CAGE NO: 09922	SIZE: B		APPROVAL DRAWN: TJS 07-05-11 CHKD: NPP 07-05-11 DSGN: NP 07-05-11 MFG: DH 07-05-11 QC: BB 07-05-11 DRAWING SCALE: 2:1 DRAWING NO. REV S99697 C
CUSTOMER			
INTERPRET THIS DRAWING IN ACCORDANCE WITH ASME Y14.5M - 1994.		1 OF 1	