

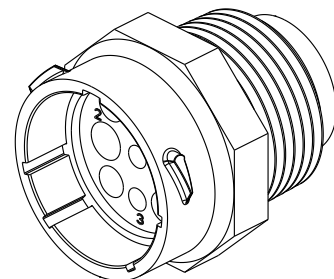
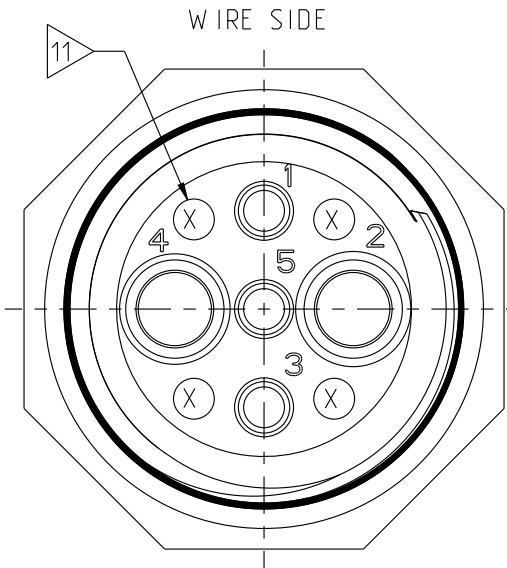
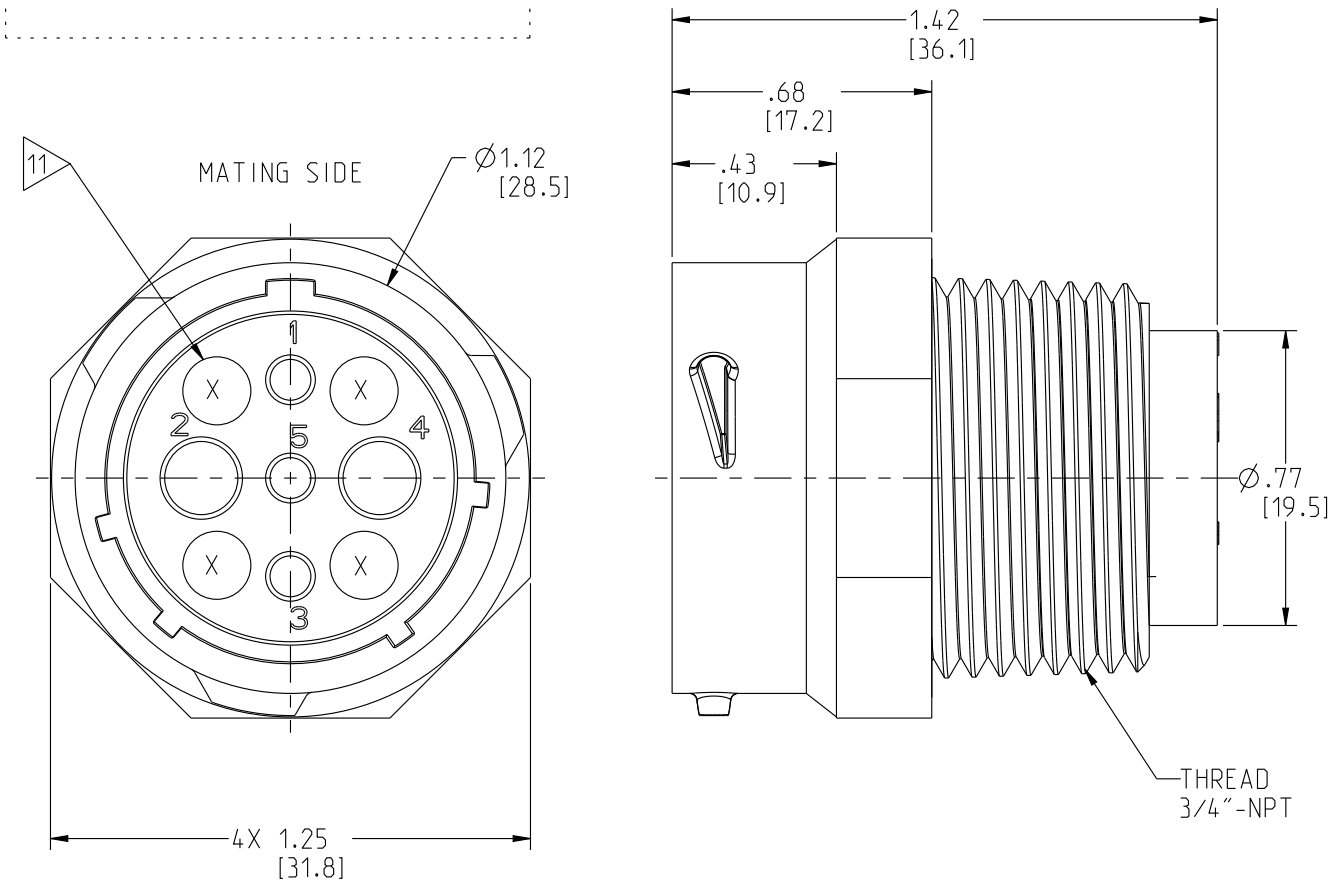
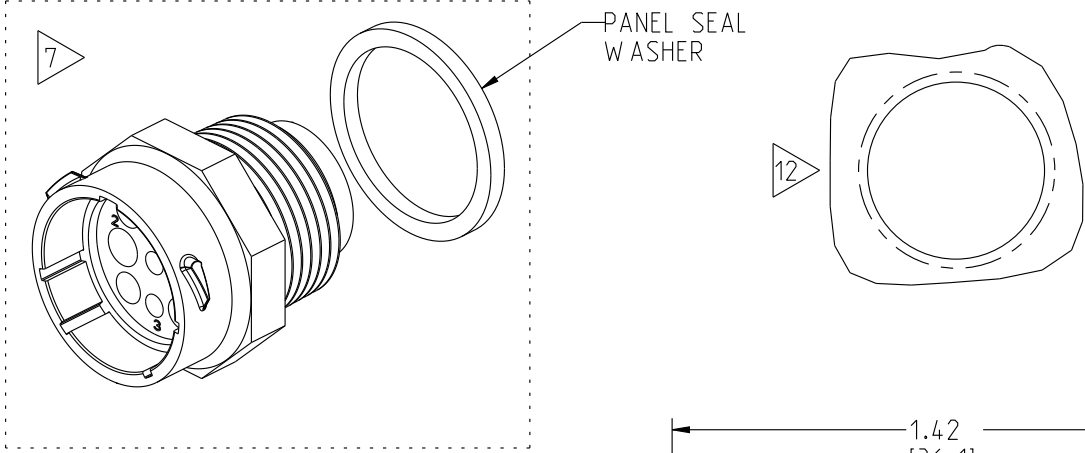
DWG. NO.
S100044

CIRCUIT	USE	MAXIMUM CURRENT (AMP)	MAXIMUM VOLTAGE (VAC)	MAXIMUM WIRE Ø (mm)
2,4	POWER	44	600	6.3
1,3,5	SIGNAL	13	250	3.3

NOTES:

- MATES WITH UTS6__18X2M3S.
- CIRCUITS 2 & 4 USE Ø3.6mm TRIM TRIO PIN CONTACTS ORDERED SEPARATELY.
- CIRCUITS 1, 3, AND 5 USE Ø1.6mm TRIM TRIO PIN CONTACTS ORDERED SEPARATELY.
- MATERIALS: ALL RoHS COMPLIANT
 - RECEPTACLE SHELL: POLYAMIDE UL94VO, COLOR-BLACK.
 - WASHER: RUBBER
- MECHANICAL / ENVIRONMENTAL PERFORMANCE
 - OPERATING TEMPERATURE: -40° TO +105 °C.
 - CORROSION: SALT SPRAY, 500 HOURS.
 - DURABILITY: 250 MATE-UNMATE CYCLES.
 - VIBRATION: SINUSOIDAL PER CEI 60512-4; 10-TO-2,000 Hz.
 - THERMAL SHOCK: 5 CYCLES X 30-MINUTES: -40° TO +105 °C.
 - SEALING IN MATED CONDITION: IEC 60529-IP68: 10M WATER, 1-WEEK; DYNAMIC-IP69K: HIGH-PRESSURE WATER, DIN 40050.
- ELECTRICAL PERFORMANCE:
 - DIELECTRIC WITHSTANDING VOLTAGE / INSULATION RESISTANCE
2200 VRMS MAX. BETWEEN CIRCUITS 2,4 / 5000 M Ohm MIN. @ 500 VDC.
1500 VRMS MAX. BETWEEN CIRCUITS 1,3,5 / 5000 M Ohm MIN. @ 500 VDC.
- PACKAGED WITH SEALING WASHER
SOURIAU LABEL INCLUDES PART NO., QTY., & UL INFORMATION.
- UL 1977 RECOGNIZED
- POWER CONTACT RESISTANCE: ≤ 0.9 Milli Ohm.
SIGNAL CONTACT RESISTANCE ≤ 5 Milli Ohm.
- U.S. PATENT 7,955,125.
- MOLDING VOID CORES ARE INDICATED "X".
TYPICAL USE: OUTLET BOX.
RECOMMENDED TOOLS; 8 POINT 1 1/4 SOCKET: MAX. TORQUE 66 IN-LBS.
- FOR THREADED INSTALLATION:
TAP DRILL 59/64 OR .922 IN (23.42mm) 3/4-NPT INTERNAL THREADS.
FOR JAMNUT INSTALLATION:
SECURE WITH 3/4-NPT NUT:THRU-HOLE 1.05 INCH (26.7mm)

THIS DRAWING IS A CONTROLLED DOCUMENT FOR SOURIAU USA, INC. IT IS SUBJECT TO CHANGE WITHOUT NOTIFICATION. CONTACT THE DOCUMENT CONTROL CENTER FOR THE LATEST REVISION.



SCALE 1:1

Client Drawing Approval	
X	Option
	Approved with no Exceptions
	Approved with Exceptions Noted
	Revision/Resubmission Required
	Rejected
The signature above indicates the client's authorized representative has reviewed, understands, and concurs with the requirements defined herein. If no signature is provided, placement of a purchase order by the client is considered drawing acceptance.	

LINEAR MEASURE:	INCH [mm]	INCH [mm]
	THIRD ANGLE PROJECTION	
TOLERANCES UNLESS OTHERWISE SPECIFIED		
No. OF PLACES	INCH [mm]	
ONE PLACE	±.1 [±.3]	
TWO PLACES	±0.02 [±.5]	
THREE PLACES	±0.010 [±.25]	
ANGLES ±1°		

DRAWING TITLE			
UTS RECEPTACLE, SIZE-18, PIN, NPT THREADS			
CAT NO. UTS718X2M3PNPT			
CAGE NO: 09922		SIZE: B	
CUSTOMER		SOURIAU	
INTERPRET THIS DRAWING IN ACCORDANCE WITH ASME Y14.5M - 1994.			
APPROVAL		DRAWN: RSK 02-14-13	
		CHKD : NPP 02-14-13	
		DSGN : NPP 02-14-13	
		MFG : DH 02-14-13	
		QC : BB 02-14-13	
		DRAWING SCALE: 2:1	
		DRAWING NO. REV	
		S100044 A	
		1 OF 1	

THE INFORMATION CONTAINED IN THIS DRAWING IS CONFIDENTIAL AND MAY NOT BE DISCLOSED WITHOUT WRITTEN CONSENT FROM SOURIAU USA, INC.