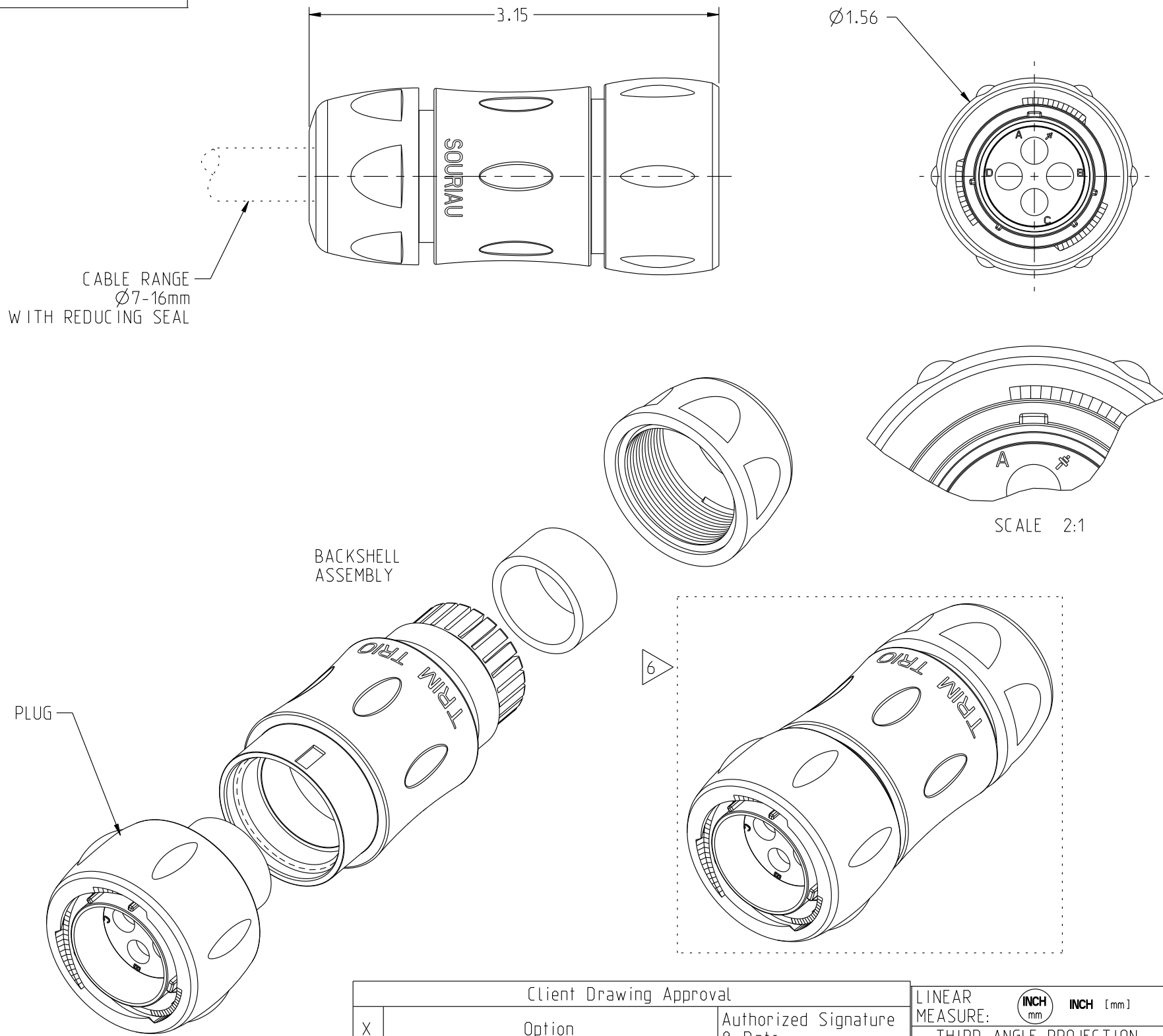


DWG. NO.
S99457

THIS DRAWING IS A CONTROLLED DOCUMENT FOR SOURIAU USA, INC. IT IS SUBJECT TO CHANGE WITHOUT NOTIFICATION. CONTACT THE DOCUMENT CONTROL CENTER FOR THE LATEST REVISION.




NOTES:

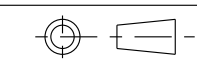
1. MATES WITH UTS7183G1S_____.
2. USES 1-TO-4 EA. SIZE-8 PINS (CONTACTS ORDERED SEPARATELY)
CONTACT TYPE: 829116_____: REFER TO SOURIAU BSD202333001.
3. MATERIALS:
 - 3.1 PLUG: COUPLING & INSULATOR: POLYAMIDE UL94V0, COLOR-BLACK.
 - 3.2 BACKSHELL: POLYAMIDE UL94V0, COLOR-BLACK.
 - 3.3 ALL MATERIALS ARE RoHS COMPLIANT.
4. MECHANICAL PERFORMANCE:
 - 4.1 OPERATING TEMPERATURE: -40°C TO 105°C.
 - 4.2 CORROSION: SALT SPRAY, 500 HOURS.
 - 4.3 DURABILITY: 250 MATE-UNMATE CYCLES.
 - 4.4 SEALING IN MATED CONDITION: IEC 60529-IP68: 10m WATER, 1-WEEK; -IP69K: HIGH-PRESSURE WATER, DIN 40050.
5. ELECTRICAL PERFORMANCE:
 - 5.1 DIELECTRIC WITHSTANDING VOLTAGE/INSULATION RESISTANCE
2200 VRMS MAX. BETWEEN CIRCUITS/5000 MOhm MIN. @ 500 VDC.
 - 5.2 OPERATING VOLTAGE: 600 VAC MAX.
 - 5.3 CIRCUIT USE:
B,C,D: 44 AMP AC MAX.
A: GROUND: FIRST MATE LAST BREAK.
6. PACKAGING: LABEL TO INCLUDE SOURIAU P/N & QTY.
7. UL1977 RECOGNIZED.
8. UNITED STATES PATENT 7,955,125

THE INFORMATION CONTAINED IN THIS DRAWING IS CONFIDENTIAL AND MAY NOT BE DISCLOSED WITHOUT WRITTEN CONSENT FROM SOURIAU USA, INC.

E	REVISED PER ECN 11721	RSK 05-16-12	NPP 05-16-12
D	REVISED PER ECN 11550	SSF 11-03-11	NPP 11-03-11
C	REVISED PER ECN 11503	RSK 09-08-11	NPP 09-08-11
B	REVISED PER ECN 11483	RSK 08-11-11	NPP 08-11-11
A	RELEASED PER ECN 11439	SSF 05-20-11	NPP 05-20-11
REV	DESCRIPTION	BY DATE	CHKD DATE

DRAWING TITLE	
UTS CABLE PLUG, SIZE-18, 4X SIZE-8 PIN	
CAT NO. UTS6JC183G1P	
CAGE NO: 09922	SIZE: B
CUSTOMER	 SOURIAU Connection Technology www.souriau.com
INTERPRET THIS DRAWING IN ACCORDANCE WITH ASME Y14.5M - 1994.	
APPROVAL	DRAWN: NP 4/19/10 CHKD : - - DSGN : NP 4/19/10 MFG : DH 4/19/10 QC : BB 4/19/10 DRAWING SCALE: 1:1 DRAWING NO. REV S99457 E 1 OF 1

Client Drawing Approval											
X	<table border="1" style="width: 100%;"> <tr> <th>Option</th> <th>Authorized Signature & Date</th> </tr> <tr> <td>Approved with no Exceptions</td> <td></td> </tr> <tr> <td>Approved with Exceptions Noted</td> <td></td> </tr> <tr> <td>Revision/Resubmission Required</td> <td>Company Name</td> </tr> <tr> <td>Rejected</td> <td></td> </tr> </table>	Option	Authorized Signature & Date	Approved with no Exceptions		Approved with Exceptions Noted		Revision/Resubmission Required	Company Name	Rejected	
Option	Authorized Signature & Date										
Approved with no Exceptions											
Approved with Exceptions Noted											
Revision/Resubmission Required	Company Name										
Rejected											
The signature above indicates the client's authorized representative has reviewed, understands, and concurs with the requirements defined herein. If no signature is provided, placement of a purchase order by the client is considered drawing acceptance.											

LINEAR MEASURE:	$\frac{INCH}{mm}$ INCH [mm]
THIRD ANGLE PROJECTION	
	
TOLERANCES UNLESS OTHERWISE SPECIFIED	
No. OF PLACES	INCH [mm]
ONE PLACE	±.1 [±3]
TWO PLACES	±0.02 [±.5]
THREE PLACES	±0.010 [±.25]
ANGLES ±1°	