

THIS DRAWING IS A CONTROLLED DOCUMENT FOR SOURIAU USA, INC. IT IS SUBJECT TO CHANGE WITHOUT NOTIFICATION. CONTACT THE DOCUMENT CONTROL CENTER FOR THE LATEST REVISION.

C

B

THE INFORMATION CONTAINED IN THIS DRAWING IS CONFIDENTIAL AND MAY NOT BE DISCLOSED WITHOUT WRITTEN CONSENT FROM SOURIAU USA, INC.

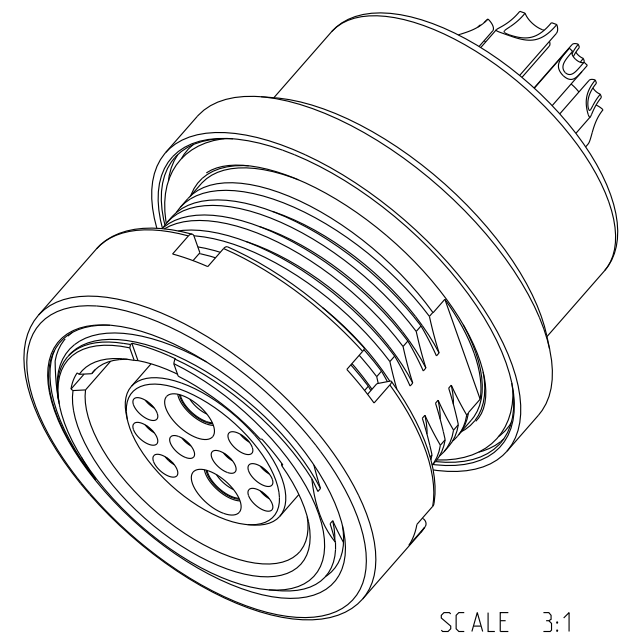
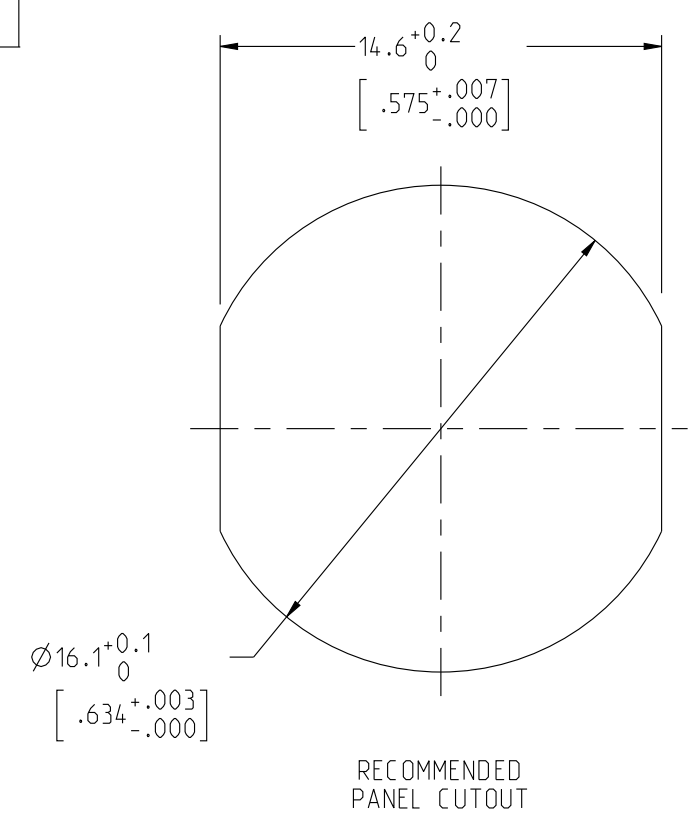
PRO-E

4

3

2

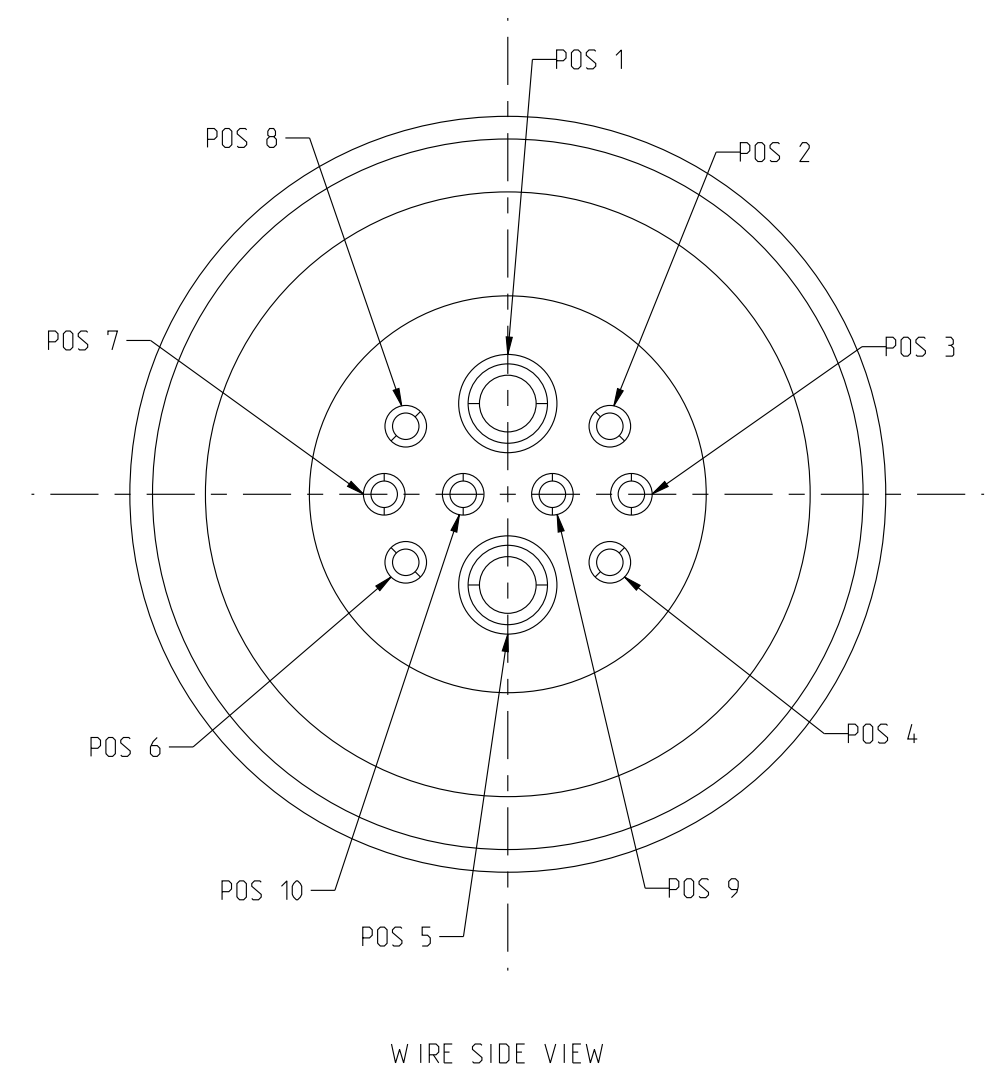
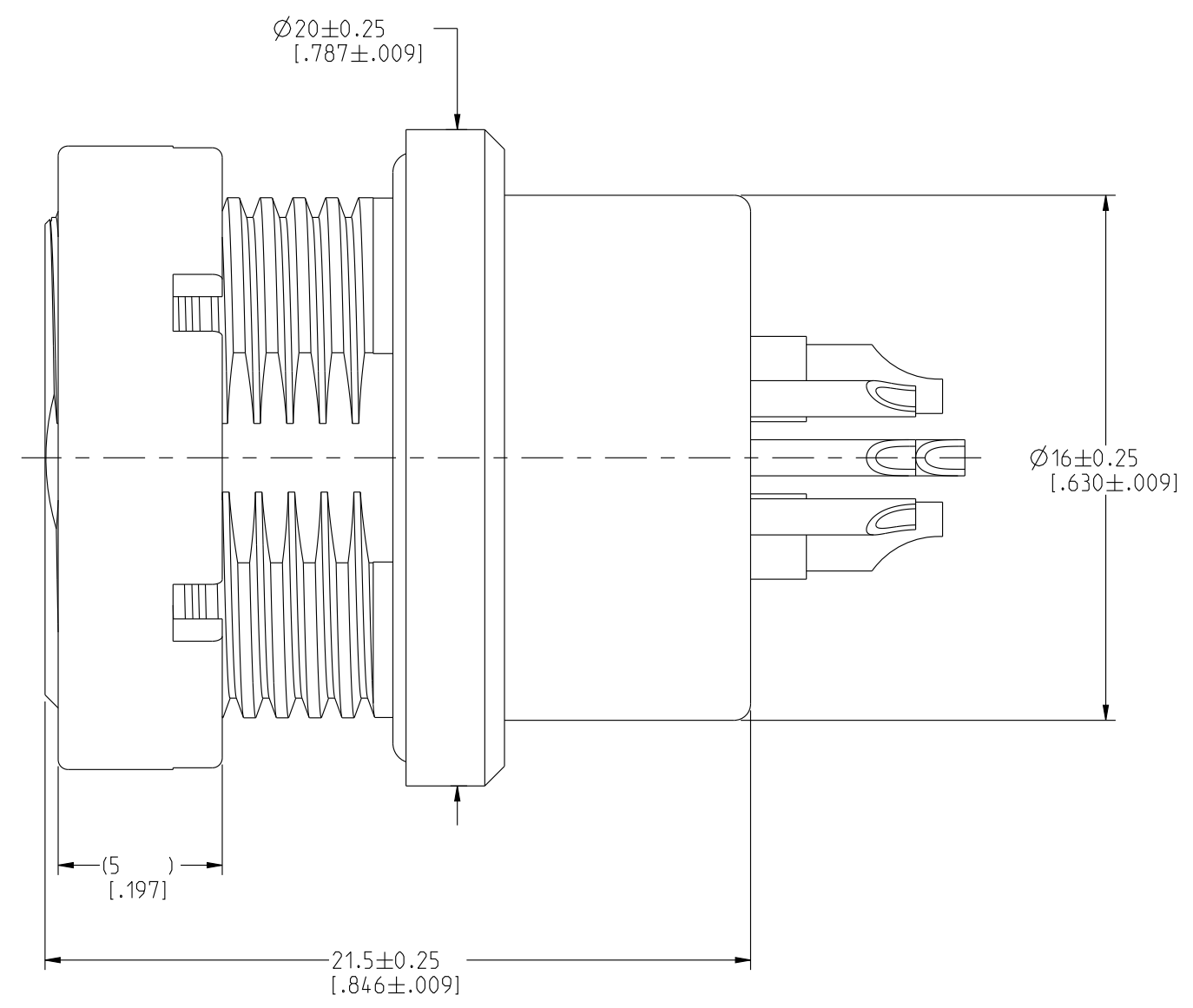
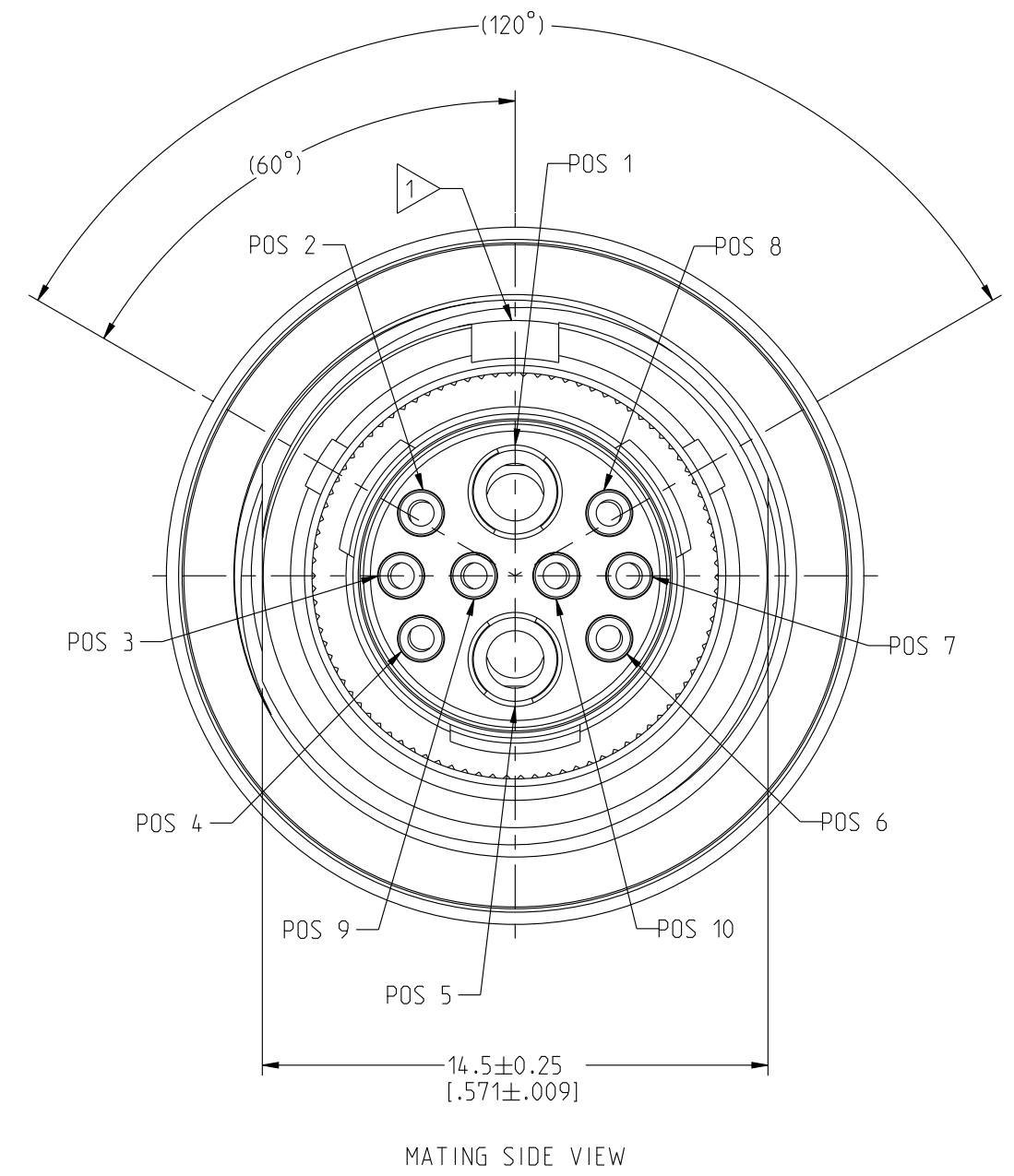
1



- NOTES :
1. RED BAND FOR "T" KEYING IDENTIFICATION.
  2. CONNECTOR IS RoHS COMPLIANT.

- MATERIAL
- SHELL & NUT : BRASS CuZn40Pb3 (C38500/C36000)
  - SHIELDING RING : COPPER ALLOY (PROPRIETARY)
  - SOCKET CONTACT : COPPER NICKEL (CDA C 19150)
  - CONTACT TERMINATION : SOLDER CUP
  - CLIP : BERYLLIUM COPPER CuBe1.9 (C17200/C36000)
  - INSULATOR : PEEK WITH 15% GLASS FILLED, COLOR BROWN
  - O-RING SEALS : SILICONE RUBBER
  - POTTING SEAL : EPOXY POTTING COMPOUND

- FINISH
- SHELL & NUT : BLACK CHROME OVER NICKEL UNDERCOAT
  - SHIELD RING : NICKEL
  - SOCKET CONTACTS : GOLD OVER NICKEL



A	RELEASED PER ECN 11500	TJS 09-01-11	SDH 09-01-11
REV	DESCRIPTION	BY DATE	CHKD DATE

DRAWING TITLE			
<b>JDX, SIZE 2, 10 POSITION - HYBRID, ER RECEPTACLE, 'T' KEYING</b>			
CAT NO. <b>JDXER2T002FSN</b>			
CAGE NO: 09922	SIZE: C	DRAWN: TJS 08-31-11	
<b>CUSTOMER</b>		CHKD: TW 08-31-11	APPROVAL
		DSGN: XXX mm-dd-yy	
		MFG: DH 08-31-11	
		QC: BB 08-31-11	
INTERPRET THIS DRAWING IN ACCORDANCE WITH ASME Y14.5M - 1994.		DRAWING SCALE: 5:1	DRAWING NO. REV
www.souriau.com		<b>JDXER2T002FSNC</b>	A
		1 OF 2	

LINEAR MEASURE:	mm (INCH)
THIRD ANGLE PROJECTION	
TOLERANCES UNLESS OTHERWISE SPECIFIED	
No. OF PLACES	mm [INCH]
WHOLE No.	±0.5 [±.02]
ONE PLACE	±0.2 [±.008]
TWO PLACES	±0.1 [±.004]
ANGLES ±1°	

4

3

2

1

PRO-E

4

3

2

1

DWG. NO.  
JDXER2T002FSNC

# PERFORMANCE CHARACTERISTICS

## ELECTRICAL

EMI SHIELDING : (60dB MIN. UP TO 100MHz) PER ANSI-EIA-364-D METHOD 66  
(35dB MIN. UP TO 1GHz)

INSULATION RESISTANCE : >500MΩ PER ANSI-EIA-364-D METHOD 21

## MECHANICAL

ENDURANCE : 2500 CYCLES AS PER MIL-STD 1344A, METHOD 2016.1

## ENVIRONMENTAL

THERMAL SHOCK : -40°C TO +125°C (-40°F TO +257°F) DURATION 5 CYCLES  
PER ANSI-EIA-364-D METHOD 32

MECHANICAL SHOCK : 50 g , DURATION 6 ms; PER MIL-STD 1344A, METHOD 2004.1

VIBRATIONS : 10 TO 2000Hz g = 15g, PER MIL-STD 1344A, METHOD 2005.1

RANDOM VIBRATIONS : PER ANSI-EIA-364-D METHOD 28, TEST CONCISON 4

ALTITUDE IMMERSION : 3 CYCLES (3\*30MIN)

HUMIDITY : 240 HOURS @ 40°C 90% RH PER ANSI-EIA-364-D METHOD 31

PROTECTION INDEX : IP 68 PER IEC 529 METHOD 14.2.8

OPERATING TEMPERATURE : -40°C TO +125°C (-40°F TO +257°F) DURATION 5 CYCLES

FLUID RESISTANCE : PER ANSI-EIA-364-D METHOD 10  
FLUIDS TESTED:  
KEROSENE JP8 (NATO CODE F34)  
GASOLINE ASTM D 4814  
MINERAL OIL (NATO CODE H515)

THIS DRAWING IS A CONTROLLED DOCUMENT FOR SOURIAU USA, INC. IT IS SUBJECT TO CHANGE WITHOUT NOTIFICATION. CONTACT THE DOCUMENT CONTROL CENTER FOR THE LATEST REVISION.

C

B

THE INFORMATION CONTAINED IN THIS DRAWING IS CONFIDENTIAL AND MAY NOT BE DISCLOSED WITHOUT WRITTEN CONSENT FROM SOURIAU USA, INC.

D

C

B

A

4

3

2

1

PRO-E

DRAWING TITLE		JDX, SIZE 2, 10 POSITION - HYBRID, ER RECEPTACLE, 'T' KEYING	
CAT NO.		JDXER2T002FSN	
CAGE NO: 09922	SIZE: C	APPROVAL	
CUSTOMER	INTERPRET THIS DRAWING IN ACCORDANCE WITH ASME Y14.5M - 1994.	DRAWN: TJS	08-31-11
		CHKD : TW	08-31-11
SOURIAU Connection Technology www.souriau.com	2 OF 2	DSGN : XXX	mm-dd-yy
		MFG : DH	08-31-11
DRAWING SCALE: 5:1		QC : BB	08-31-11
DRAWING NO. JDXER2T002FSNC		REV A	

LINEAR MEASURE:	mm (INCH)
THIRD ANGLE PROJECTION	
TOLERANCES UNLESS OTHERWISE SPECIFIED	
No. OF PLACES	mm [INCH]
WHOLE No.	±0.5 [±.02]
ONE PLACE	±0.2 [±.008]
TWO PLACES	±0.1 [±.004]
ANGLES ±1°	