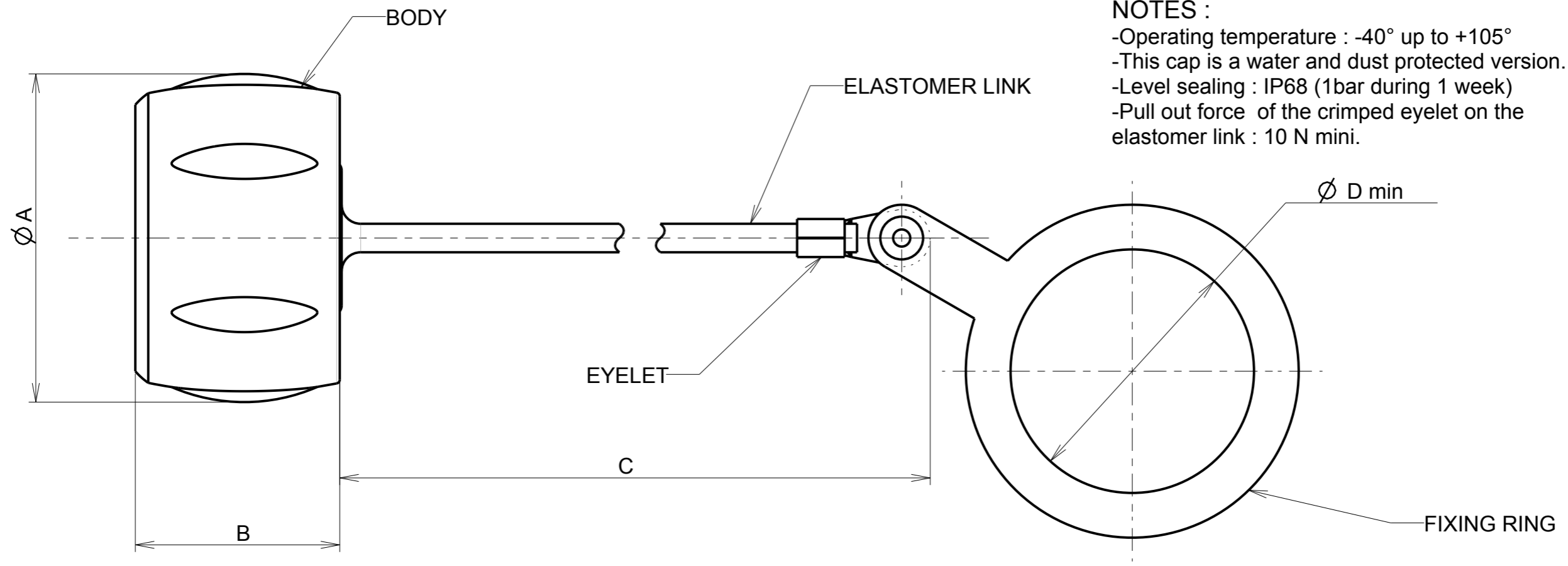


e:0;RL



MATERIAL:

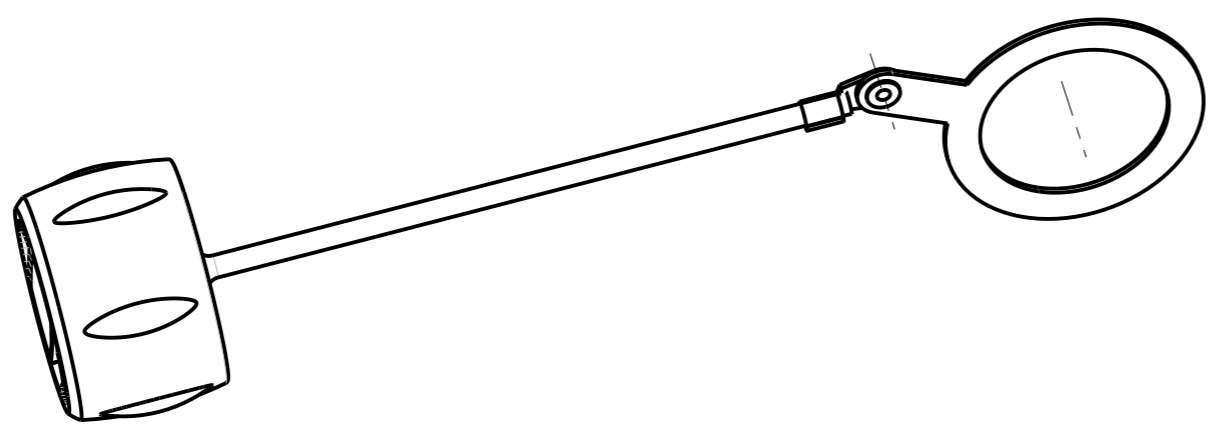
- Body : Polyamid UL94 V-0
- Elastomer link: Elastomer
- Eyelet : brass tin plated
- Fixing ring : stainless steel

NOTES :

- Operating temperature : -40° up to +105°
- This cap is a water and dust protected version.
- Level sealing : IP68 (1bar during 1 week)
- Pull out force of the crimped eyelet on the elastomer link : 10 N mini.

PART NUMBER	ØA	B	C ⁺⁰ ₋₆	Ø D mini
UTS8DCGR	22.50	16.50	84	14.5
UTS10DCGR	26.20	18.40	103	17.6
UTS12DCGR	29.70	19.60	102	22.4
UTS14DCGR	34.60	21.50	98	25.6
UTS18DCGR	42	23	99	31.9

P/N : UTSXXDCGR



e	21/06/2013	Modification of sealing level	22980
ISS	DATE	Latest modification - by: BERTHOME A.	MOD N°
Designed by: ROUILLARD		Date: 26/01/09	CUSTOMER DRAWING
TITLE		UTS RECEPTACLE SEALING CAP WITH FIXING RING FOR JUM NUT RECEPTACLE	
Scale		General linear Tolerances: ± 0.4	NPRDS / PROJECT UTS1
2/1			
SOURIAU		WWW.SOURIAU.COM	
This document is the property of SOURIAU It must not be reproduced or communicated without permission			
FORMAT	SOURIAU DRG N° C076-UTS1-A		SHEET 1 / 1
A3			