

5

4

3

2

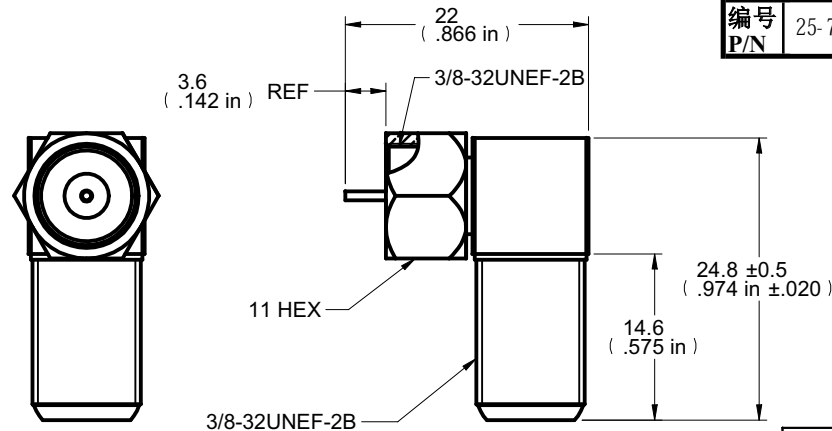
1

DRAWING NO. 25-7600-CUST			
REVISIONS			
01	OFFICIAL RELEASE		
	08-21-09	Y U	Y U T H

Description: F Male To F FM Right Angle
 Part No: 25-7600
 Application: Adapter
 Crimp Tool: N/A
 Impedance: 75 Ohms
 Frequency Range: 0-750 MHz
 Material: Body Zinc Nickel plated
 Contact Brass Nickel plated
 Nut Brass Nickel plated
 RoHS Compliance: Yes
 Technical Detail: Refer to Emerson Document P/N 25-0000



受控 CONTROLLED DOCUMENT					
编号 P/N	25-7600-CUST	版本 Rev	01	日期 Rel'd Date	SEP 14,09



DIM OUTLINE

CUSTOMER COPY

TOLERANCE UNLESS OTHERWISE SPECIFIED		DRAWN BY BETTY.YU	DATE 08-21-09
DECIMALS	mm	CHECKED BY BETTY.YU	DATE 08-21-09
X	± 0.5	APPROVED BY THOMAS	DATE 08-21-09
X.X	± 0.3	U/M	mm
X.XX	± 0.1		
ANGLES	± 0.5°		

	Connectivity Solutions
TITLE F MALE TO F FM RIGHT ANGLE	

THIS DRAWING WAS PRODUCED BY COMPUTER, DO NOT SCALE DRAWING OR UPDATE MANUALLY.		SHEET 1 OF 1	DRAWING NO. 25-7600-CUST	SIZE A
--	--	-----------------	------------------------------------	------------------

5

4

3

2

1