

5

4

3

2

1

DRAWING NO.
27-8150-CUST

REVISIONS

OFFICAL RELEASE

01

08-25-09 T W B Y T *Betty* 2009/08/01
+ 08/25/09

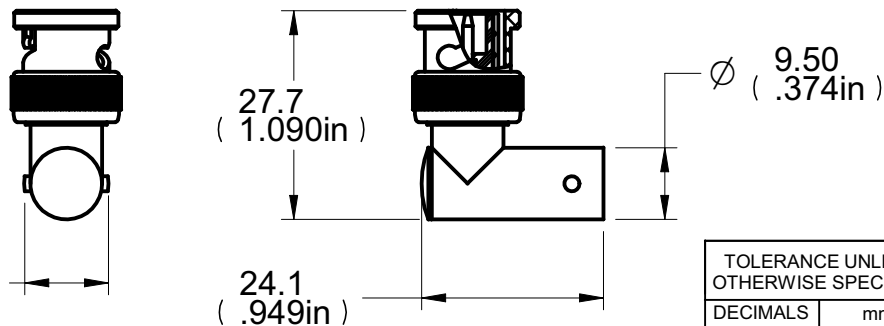


Description: 50 ohm BNC Right Angle Adapter
 Part No: 27-8150
 Application: Adapter
 Crimp Tool: N/A
 Impedance: 50 Ohms
 Fequency Range: 0-4 GHz
 Material: Body Brass Nickel Plated
 Contact Brass Gold Plated
 Insulator Derlin
 Crimp Sleeve Brass Nickel Plated
 Coupling Nut Zinc Nickel Plated

RoHS Compliance: Yes
 Technical Detail: Refer to Emerson Document P/N 27-0000

受控 CONTROLLED DOCUMENT

编号 P/N	27-8150-CUST	版本 Rev	01	日期 Rel'd Date	SEP 14,09
-----------	--------------	-----------	----	------------------	-----------



DIM OUTLINE

CUSTOMER COPY

TOLERANCE UNLESS OTHERWISE SPECIFIED		DRAWN BY TERRY.W	DATE 08-25-09
DECIMALS	mm	CHECKED BY TERRY.W	DATE 08-25-09
X	± 0.5	APPROVED BY THOMAS	DATE 08-25-09
X.X	± 0.3	U/M	mm
X.XX	± 0.1		
ANGLES	± 0.5°		



TITLE
50 OHM BNC RIGHT ANGLE ADAPTER

THIS DRAWING WAS PRODUCED BY COMPUTER,
DO NOT SCALE DRAWING OR UPDATE MANUALLY.

SHEET 1 OF 1	DRAWING NO. 27-8150-CUST	SIZE A
-----------------	-----------------------------	-----------

5

4

3

2

1