

5

4

3

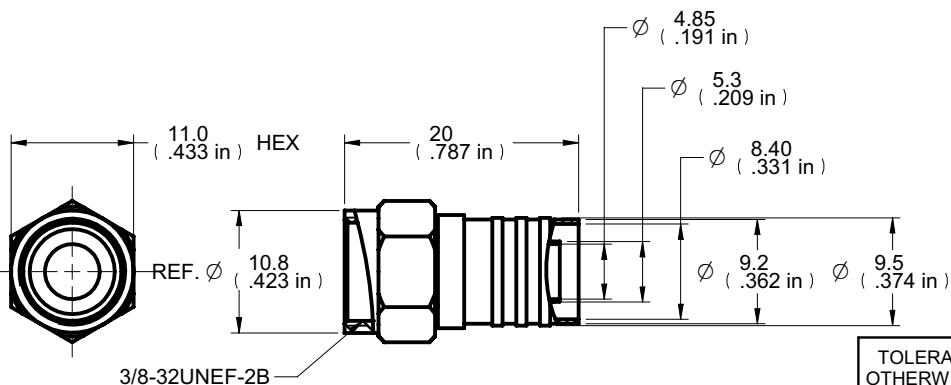
2

1

受控 CONTROLLED DOCUMENT					
编号 P/N	25-7032-CUST	版本 Rev	01	日期 Rel'd Date	Apr29,09

DRAWING NO. 25-7032-CUST						
REVISIONS						
01	OFFICIAL RELEASE					
	03-10-09	Y	U	Y	U	TH

Description: F-56 ALM W/ATT. 1/2 Ring RG-6  
 Part No: 25-7032  
 Application: For RG-6 Cable  
 Crimp Tool: 24-7710 or 24-8866P  
 Impedance: 75 Ohms  
 Frequency Range: 0-750 MHz  
 Material: Body Brass Nickel plated  
 Nut Zinc Nickel plated  
 RoHS Compliance: Yes  
 Technical Detail: Refer to Emerson Document P/N 25-0000



**DIM OUTLINE**

CUSTOMER COPY

TOLERANCE UNLESS OTHERWISE SPECIFIED		DRAWN BY	DATE
DECIMALS	mm	BETTY.YU	03-10-09
X	± 0.5	CHECKED BY	DATE
X.X	± 0.3	BETTY.YU	03-10-09
X.XX	± 0.1	APPROVED BY	DATE
ANGLES	± 0.5°	THOMAS	03-10-09
		U/M	mm

**EMERSON** Network Power  
**Connectivity Solutions**

TITLE  
F-56 ALM W/ATT. 1/2 RING RG-6

SHEET 1 OF 1	DRAWING NO. 25-7032-CUST	SIZE A
-----------------	-----------------------------	-----------

THIS DRAWING WAS PRODUCED BY COMPUTER, DO NOT SCALE DRAWING OR UPDATE MANUALLY.

5

4

3

2

1