

REMARK:

1. CHARACTERISTICS:

RATED VOLTAGE: 250V
 RATED CURRENT: 2.5AMP
 CONTACT RESISTANCE: 25mohms MAX. INITIAL,
 40mohms MAX. AFTER.
 INSULATION RESISTANCE: 5000Mohms MIN. at 500V DC
 DIELECTRIC STRENGTH: 750VRMS
 OPERATING TEMPERATURE RANGE: -55° C~105° C
 INSERTION/EXTRACTION FORCE PER CONTACT: 5N Max. /0.2N Min..
 MATING/UNMATING CYCLES: 200MATINGS MIN FOR GOLD-FLASH
 500MATINGS MIN FOR 30u" GOLD.

2. MATERIAL:

INSULATORS: THERMOPLASTIC G.F(UL94V-0) BLACK
 CONTACTS: COPPER ALLOY, GOLD(G/F or 30U") TOP OVER CONTACT
 AREA, 100u" Min MATTE TIN TOP OVER SOLDER AREA,
 50u" Min NICKEL UNDER PLATE.
 SHELL: CARBON STEEL, 100u" Min NICKEL TOP OVER,
 50u" Min COPPER UNDER PLATE.
 HARPOON: COPPER ALLOY , 100u" Min MATTE TIN PLATED.

3. PART NUMBER DESCRIPTION: 10090928-P XX X X LF

SERIES NO. _____ LF: ROHS COMPLIANT
 TYPE _____ FLANGE MOUNTING OPTION
 P: PIN (MALE) X: UNC #4-40 CLINCHNUTS
 L: M3 CLINCHNUTS
 NUMBER OF CONTACTS _____ CONTACT FINISH
 15: 15-PIN 4: GOLD FLASH
 26: 26-PIN 6: 30u" GOLD
 44: 44-PIN
 62: 62-PIN

POS.	PART NO.	THREAD TYPE
15	10090928-P15*LLF	M3X0.5
26	10090928-P26*LLF	M3X0.5
44	10090928-P44*LLF	M3X0.5
62	10090928-P62*LLF	M3X0.5
15	10090928-P15*XLF	UNC #4-40
26	10090928-P26*XLF	UNC #4-40
44	10090928-P44*XLF	UNC #4-40
62	10090928-P62*XLF	UNC #4-40

POS.	A	B	C	D	E	H
15	30.81	24.99	16.92	2.29	5.90 ^{+0.25} ₀	19.10
26	39.24	33.32	25.25	2.29	5.90 ^{+0.25} ₀	27.75
44	53.04	47.04	38.96	2.29	5.70 ^{+0.25} ₀	41.30
62	69.32	63.50	55.42	2.41	5.70 ^{+0.25} ₀	57.40

mat'l. code				tolerances unless otherwise specified				CUSTOMER COPY		FCI www.fciconnect.com	
ltr	ecn no	dr	date	linear	.X ± 0.38	projection	title				
A	T09-1156	J.H	12/10/09		.XX ± 0.25		H/D D-SUB MALE STRAIGHT				
B	T10-0164	J.H	10/19/10		.XXX ± 0.10						
C	ELX-I-012576	KPS	21/08/12	angles	0° ±2°		product family		D-SUB		code
				dr	JASON HSU		10/19/10	size		213	
				enrg	JASON HSU		10/19/10	scale		1:1	
				chr	ALIAS BABU		21/08/12	sheet		1 of 5	
				appd	SUDHIR VARMA	21/08/12	sheet		1 of 5		
sheet index	revision sheet	C	C	C	C	C	cage code		4		
		1	2	3	4	5					

Tous droits strictement reserves. Reproduction ou communication a des tiers interdite sous quelque forme que ce soit sans autorisation ecrite du proprietaire. Propriete de c FCI. Droits de reproduction FCI.

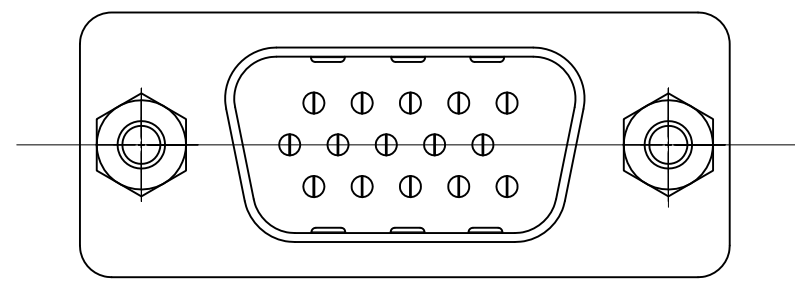
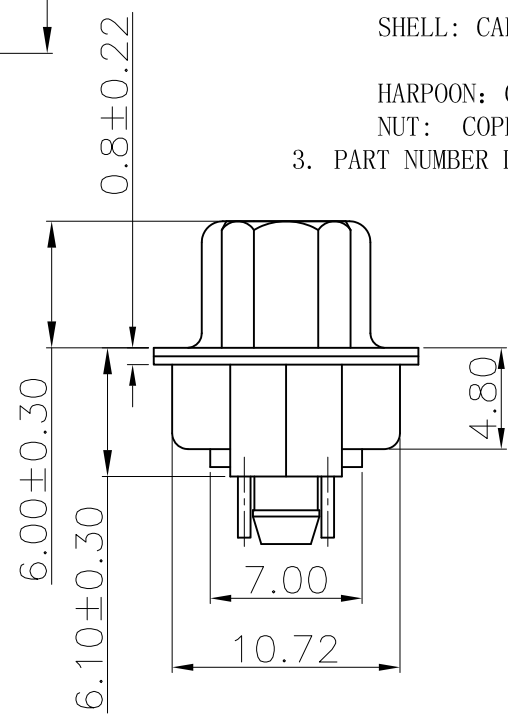
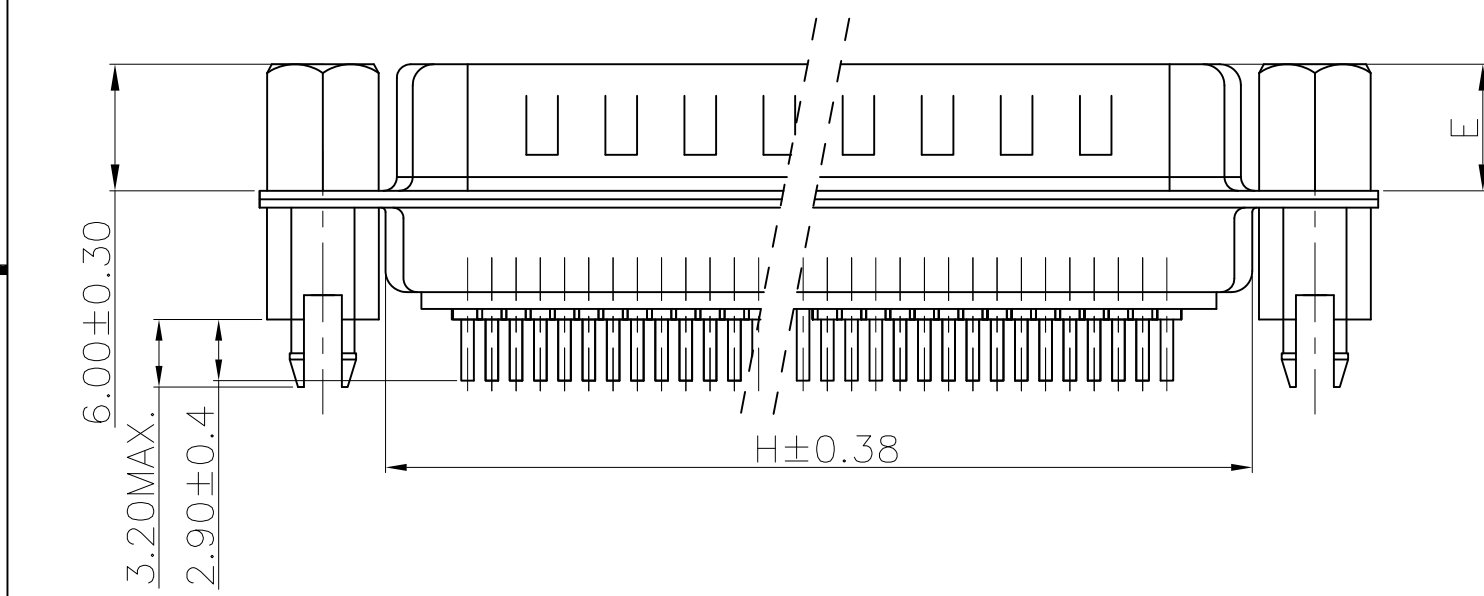
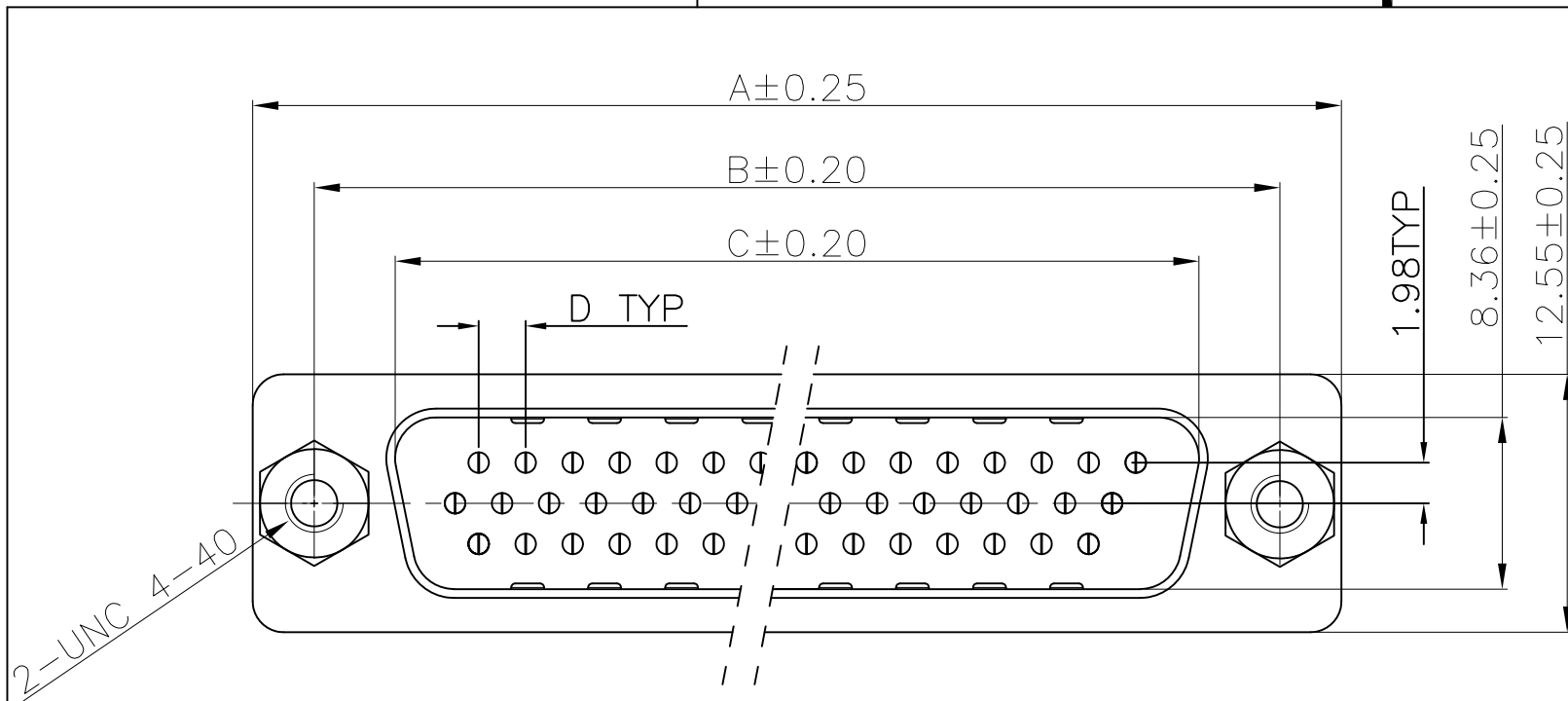


All rights strictly reserved. Reproduction or issue to third parties in any form whatever is not permitted without written authority from the proprietor. Property of FCI. Copyright FCI.

1 | 2

3 |

4



FOR 15P

REMARK:

1. CHARACTERISTICS:

RATED VOLTAGE: 250V
 RATED CURRENT: 2.5AMP
 CONTACT RESISTANCE: 25mohms MAX. INITIAL, 40mohms MAX. AFTER.
 INSULATION RESISTANCE: 5000Mohms MIN. at 500V DC
 DIELECTRIC STRENGTH: 750VRMS
 OPERATING TEMPERATURE RANGE: -55° C~105° C
 INSERTION/EXTRACTION FORCE PER CONTACT: 5N Max. /0.2N Min..
 MATING/UNMATING CYCLES: 200MATINGS MIN FOR GOLD-FLASH 500MATINGS MIN FOR 30u" GOLD.

2. MATERIAL:

INSULATORS: THERMOPLASTIC G.F(UL94V-0) BLACK
 CONTACTS: COPPER ALLOY, GOLD(G/F or 30U") TOP OVER CONTACT AREA, 100u" Min MATTE TIN TOP OVER SOLDER AREA, 50u" Min NICKEL UNDER PLATE.
 SHELL: CARBON STEEL, 100u" Min NICKEL TOP OVER, 50u" Min COPPER UNDER PLATE.
 HARPOON: COPPER ALLOY, 100u" Min MATTE TIN PLATED.
 NUT: COPPER ALLOY, 50u" Min NICKEL PLATED.

3. PART NUMBER DESCRIPTION: 10090928-P XX X X LF

SERIES NO. _____
 TYPE _____
 P: PIN (MALE)
 NUMBER OF CONTACTS _____
 15: 15-PIN
 26: 26-PIN
 44: 44-PIN
 62: 62-PIN
 LF: ROHS COMPLIANT
 FLANGE MOUNTING OPTION
 V: UNC #4-40 SCREWLOCKS
 CONTACT FINISH
 4: GOLD FLASH
 6: 30u" GOLD

POS.	PART NO.
15	10090928-P15*VLF
26	10090928-P26*VLF
44	10090928-P44*VLF
62	10090928-P62*VLF

POS.	A	B	C	D	E	H
15	30.81	24.99	16.92	2.29	5.90 ^{+0.25} ₀	19.10
26	39.24	33.32	25.25	2.29	5.90 ^{+0.25} ₀	27.75
44	53.04	47.04	38.96	2.29	5.70 ^{+0.25} ₀	41.30
62	69.32	63.50	55.42	2.41	5.70 ^{+0.25} ₀	57.40

mat'l. code				tolerances unless otherwise specified			CUSTOMER COPY		FCI		www.fciconnect.com	
ltr	ecn no	dr	date	linear	.X ± 0.38	projection	title					
C					.XX ± 0.25		H/D D-SUB MALE STRAIGHT					
				angles	.XXX ± 0.10							
				dr	JASON HSU 10/19/10	MM	product family		D-SUB		code	
				enrg	JASON HSU 10/19/10		size	dwg no		213		
				chr	ALIAS BABU 21/08/12	scale	A4		10090928		sheet	
				appd	SUDHIR VARMA 21/08/12		1:1			2 of 5		
sheet index	revision sheet											

1 | 2

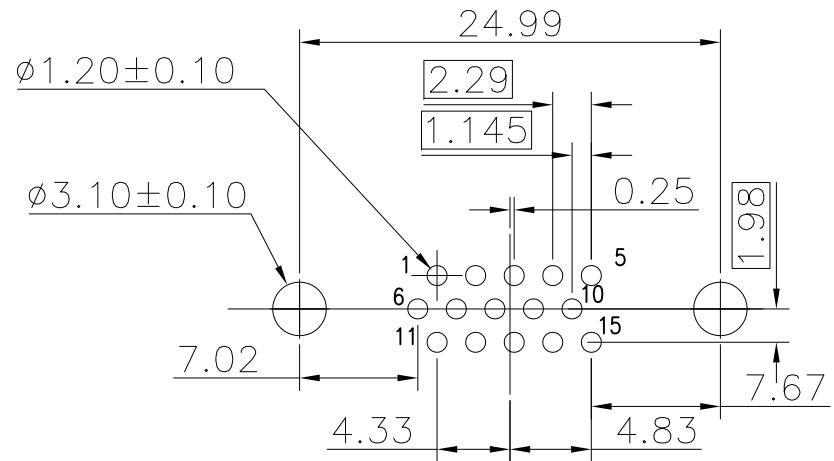
3 |

4

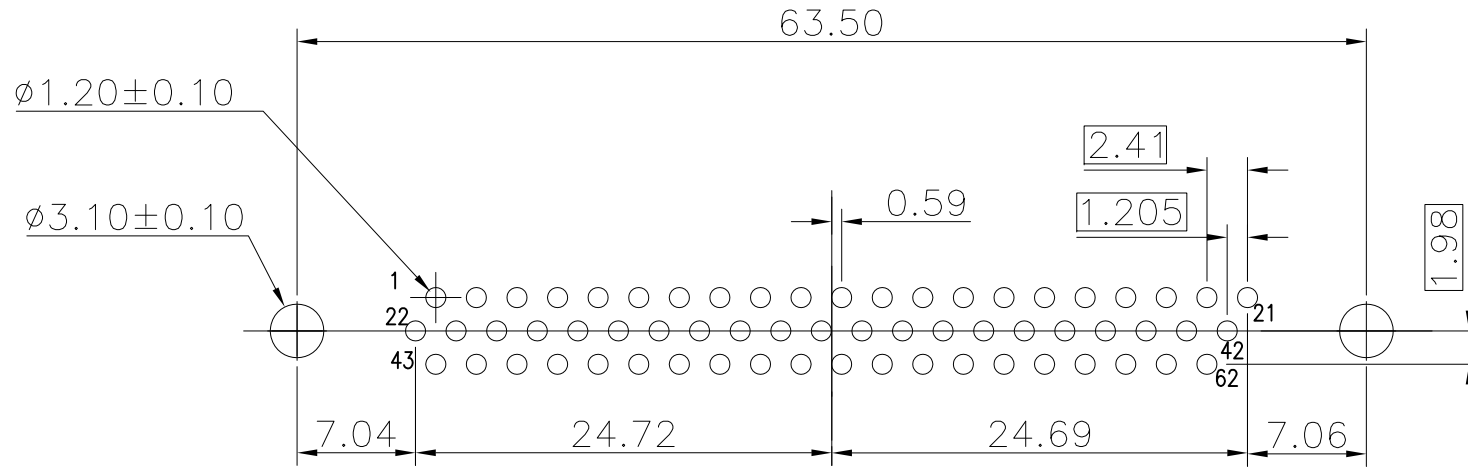
Tous droits strictement reserves. Reproduction ou communication a des tiers interdite sous quelque forme que ce soit sans autorisation ecrite du proprietaire. Propriete de c FCI. Droits de reproduction FCI.



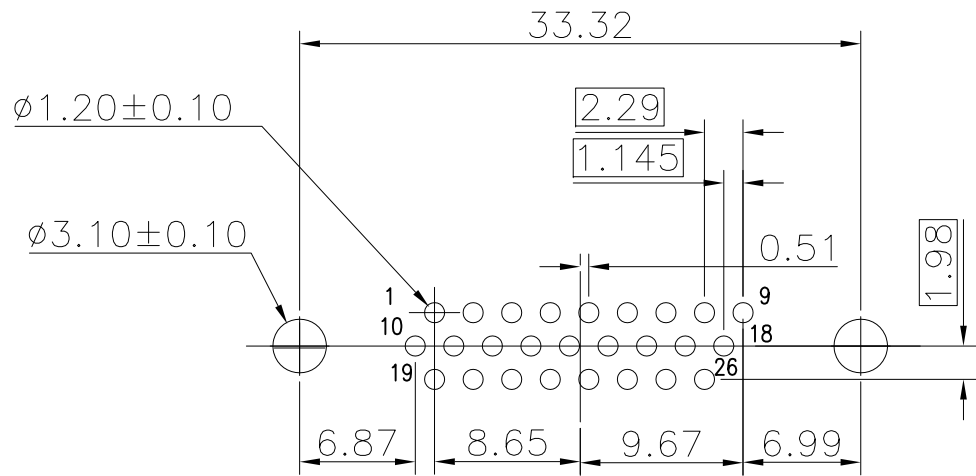
All rights strictly reserved. Reproduction or issue to third parties in any form whatever is not permitted without written authority from the proprietor. Property of FCI. Copyright FCI.



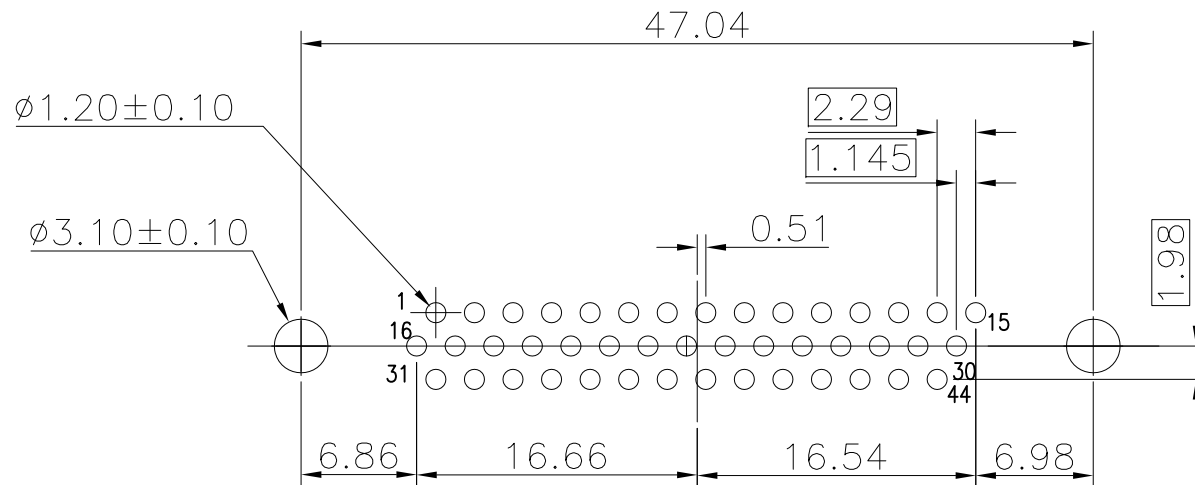
P.C.B LAYOUT(FOR 15P)



P.C.B LAYOUT(FOR 62P)



P.C.B LAYOUT(FOR 26P)



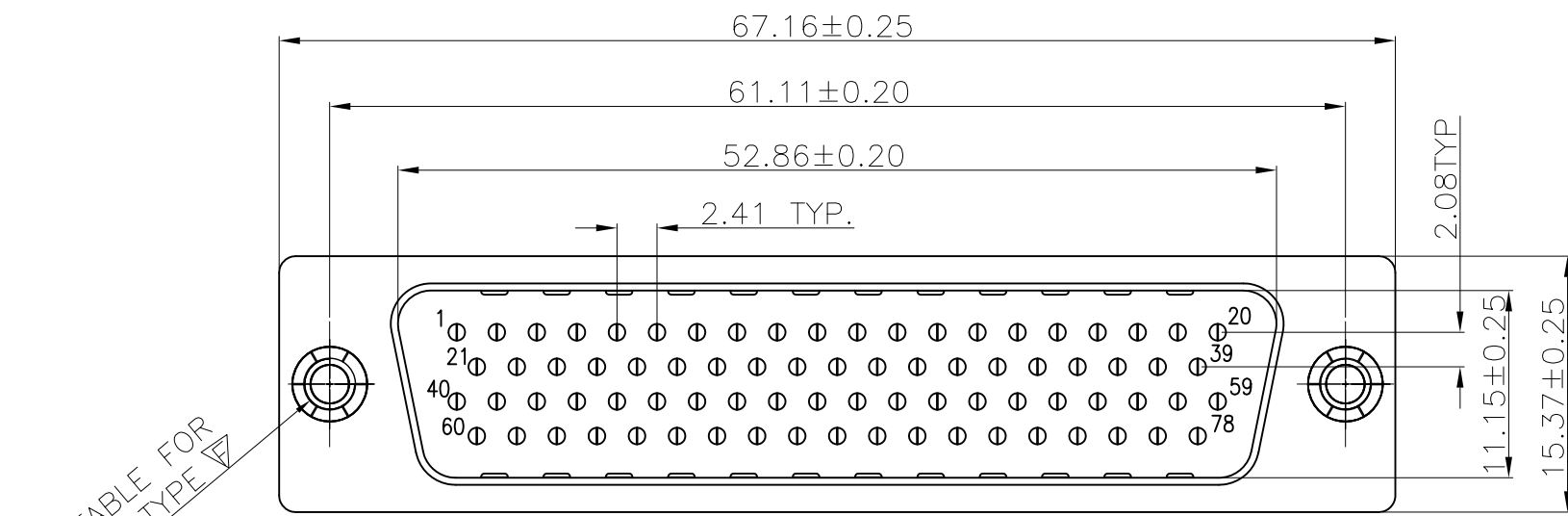
P.C.B LAYOUT(FOR 44P)

mat'l. code				tolerances unless otherwise specified		CUSTOMER COPY	FCI www.fciconnect.com		
ltr	ecn no	dr	date	linear	.X ± 0.38	projection	title		
C					.XX ± 0.25		H/D D-SUB MALE STRAIGHT PCB	product family D-SUB	
					.XXX ± 0.10			code	213
				angles	0° ±2°	MM	size		
				dr	JASON HSU 10/19/10		scale	A4	
				enrg	JASON HSU 10/19/10	1:1		10090928	
				chr	ALIAS BABU 21/08/12		sheet		3 of 5
				appd	SUDHIR VARMA 21/08/12	cage code			
sheet index	revision sheet								

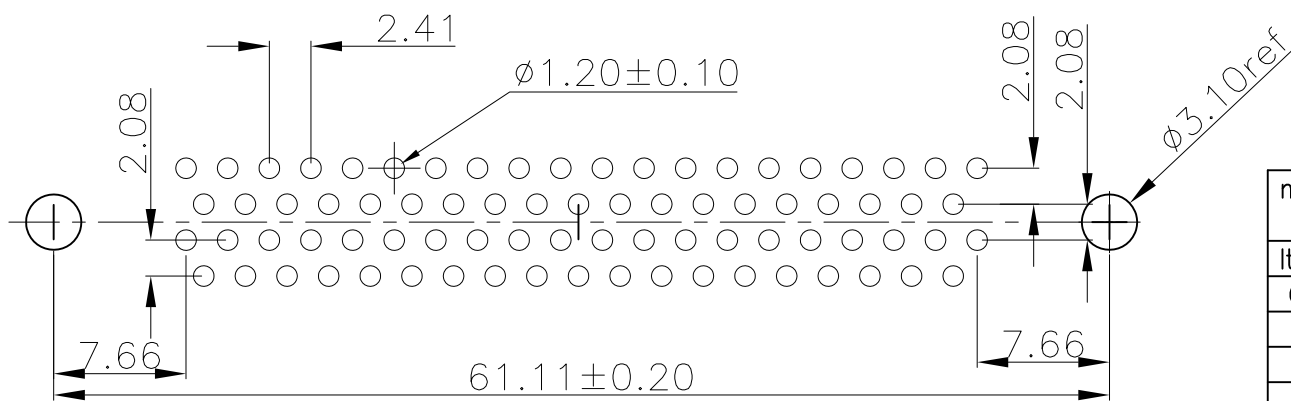
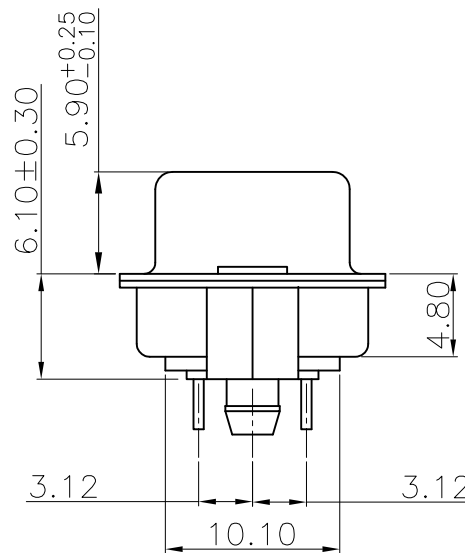
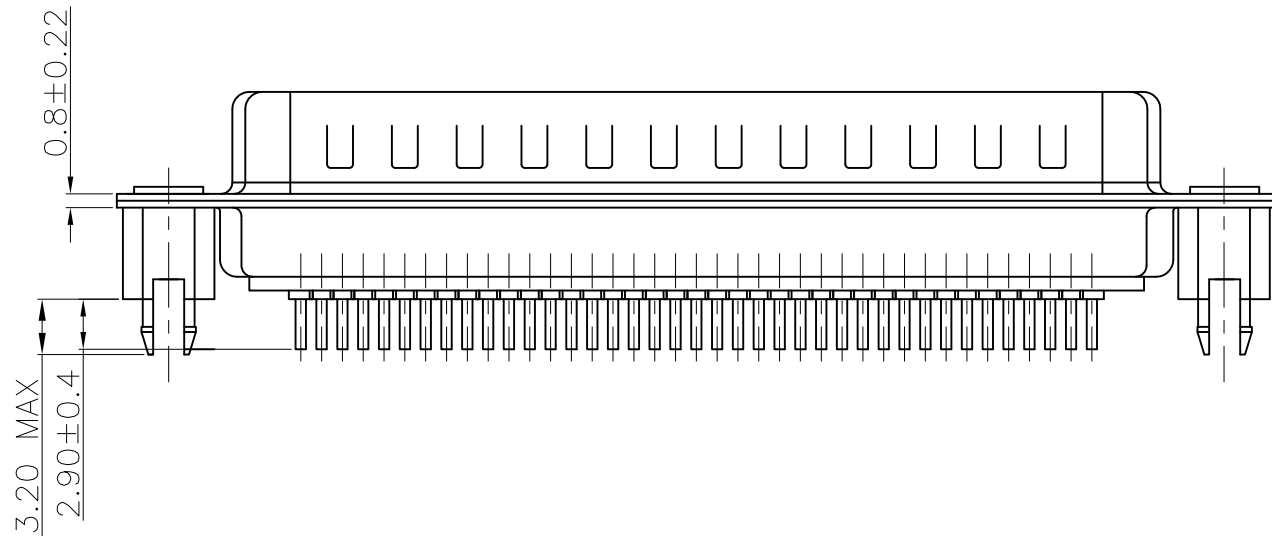
Tous droits strictement reserves. Reproduction ou communication a des tiers interdite sous quelque forme que ce soit sans autorisation ecrite du proprietaire. Propriete de c FCI. Droits de reproduction FCI.



All rights strictly reserved. Reproduction or issue to third parties in any form whatever is not permitted without written authority from the proprietor. Property of FCI. Copyright FCI.



SEE TABLE FOR THREAD TYPE



P.C.B LAYOUT

REMARK:

1. CHARACTERISTICS:

RATED VOLTAGE: 250V
 RATED CURRENT: 2.5AMP
 CONTACT RESISTANCE: 35mohms MAX. INITIAL,
 50mohms MAX. AFTER.
 INSULATION RESISTANCE: 5000Mohms MIN. at 500V DC
 DIELECTRIC STRENGTH: 750VRMS
 OPERATING TEMPERATURE RANGE: -55° C~105° C
 INSERTION/EXTRACTION FORCE PER CONTACT: 5N Max./0.2N Min..
 MATING/UNMATING CYCLES: 200MATINGS MIN FOR GOLD-FLASH
 500MATINGS MIN FOR 30u" GOLD.

2. MATERIAL:

INSULATORS: THERMOPLASTIC G.F(UL94V-0) BLACK
 CONTACTS: COPPER ALLOY, GOLD(G/F or 30U") TOP OVER CONTACT AREA, 100u" Min MATTE TIN TOP OVER SOLDER AREA, 50u" Min NICKEL UNDER PLATE.
 SHELL: CARBON STEEL, 100u" Min NICKEL TOP OVER, 50u" Min COPPER UNDER PLATE.
 HARPOON: COPPER ALLOY , 100u" Min MATTE TIN PLATED.

3. PART NUMBER DESCRIPTION: 10090928-P XX X X LF

SERIES NO. _____
 TYPE _____
 P: PIN (MALE)
 NUMBER OF CONTACTS _____
 78: 78-PIN

LF: ROHS COMPLIANT
 FLANGE MOUNTING OPTION
 X: UNC #4-40 CLINCHNUTS
 L: M3 CLINCHNUTS

CONTACT FINISH
 4: FLASH GOLD
 6: 30u" GOLD

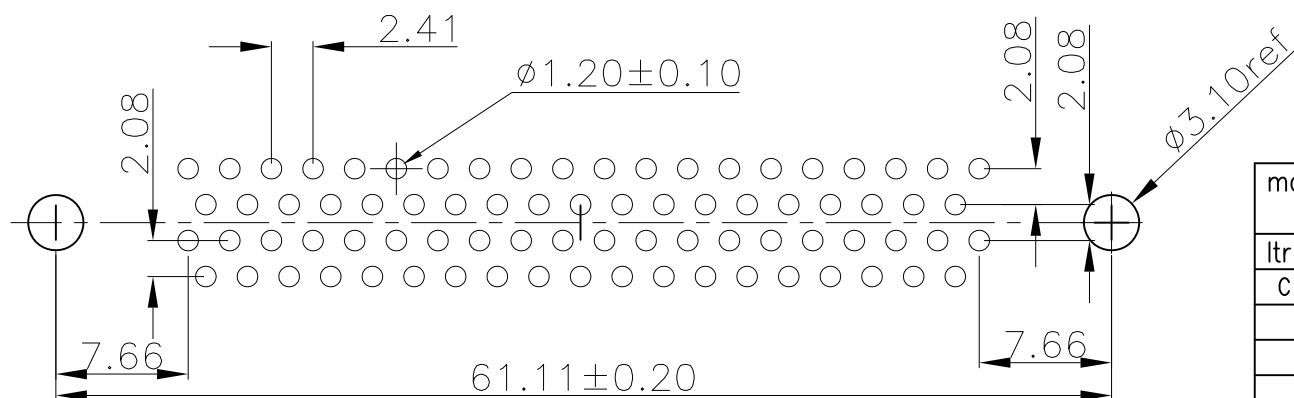
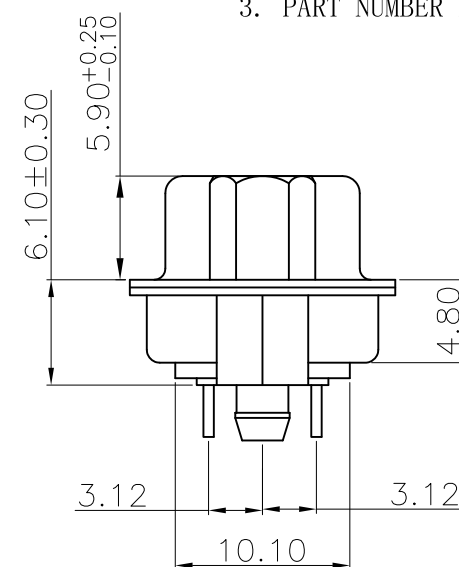
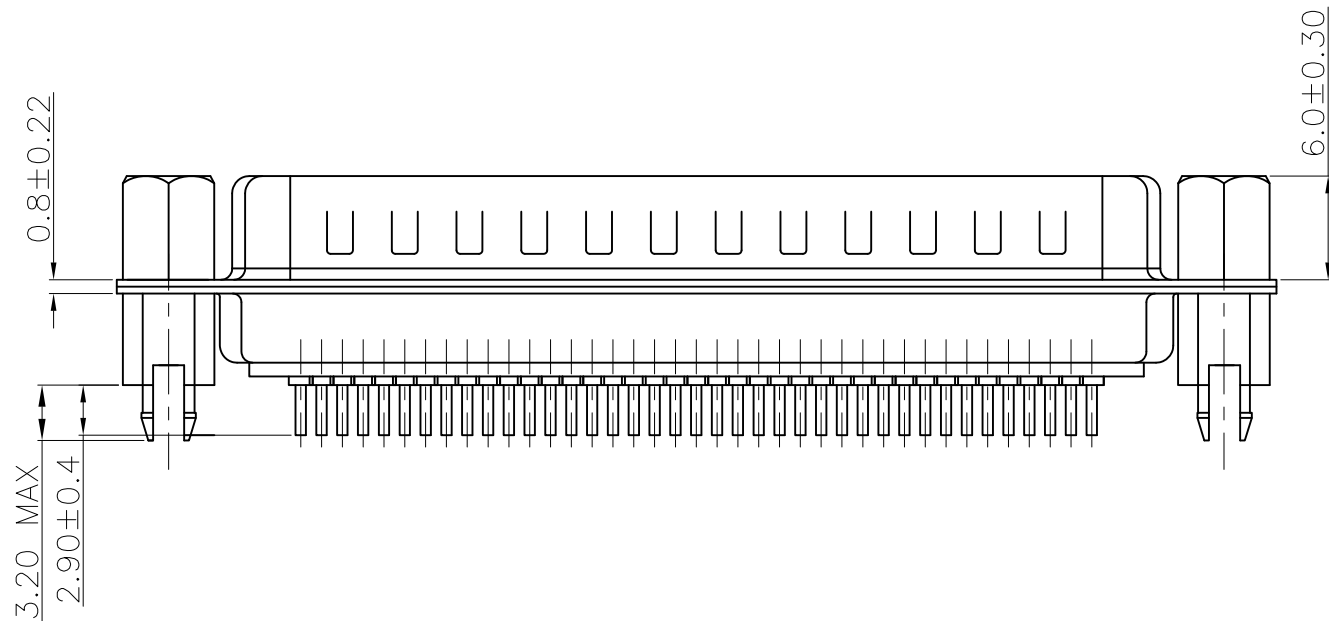
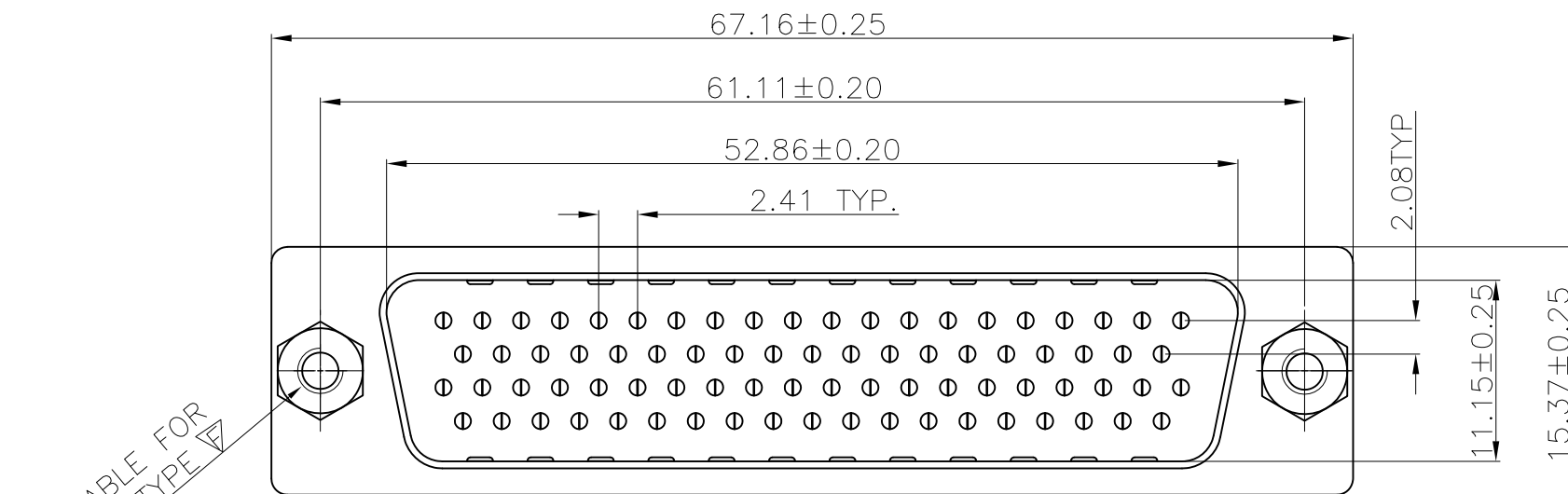
POS.	PART NO.	THREAD TYPE
78	10090928-P78*LLF	M3X0.5
78	10090928-P78*XLF	UNC #4-40

mat'l. code				tolerances unless otherwise specified			CUSTOMER COPY		FCI		www.fciconnect.com	
ltr	ecn no	dr	date	linear	.X ± 0.38		projection	title				
c					.XX ± 0.25			H/D D-SUB MALE STRAIGHT				
					.XXX ± 0.10			product family D-SUB				
				angles	0° ±2°		MM	size		code		
				dr	JASON HSU	10/19/10		10090928		213		
				enrg	JASON HSU	10/19/10		A4		sheet		
				chr	ALIAS BABU	21/08/12	scale	1:1		4 of 5		
				appd	SUDHIR VARMA	21/08/12						
sheet index	revision sheet											

Tous droits strictement réservés. Reproduction ou communication a des tiers interdite sous quelque forme que ce soit sans autorisation écrite du propriétaire. Propriété de c FCI. Droits de reproduction FCI.



All rights strictly reserved. Reproduction or issue to third parties in any form whatever is not permitted without written authority from the proprietor. Property of FCI. Copyright FCI.



P.C.B LAYOUT

REMARK:

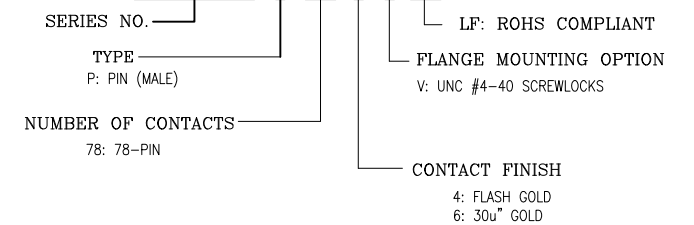
1. CHARACTERISTICS:

RATED VOLTAGE: 250V
 RATED CURRENT: 2.5AMP
 CONTACT RESISTANCE: 35mohms MAX. INITIAL,
 50mohms MAX. AFTER.
 INSULATION RESISTANCE: 5000Mohms MIN. at 500V DC
 DIELECTRIC STRENGTH: 750VRMS
 OPERATING TEMPERATURE RANGE: -55° C~105° C
 INSERTION/EXTRACTION FORCE PER CONTACT: 5N Max./0.2N Min..
 MATING/UNMATING CYCLES: 200MATINGS MIN FOR GOLD-FLASH
 500MATINGS MIN FOR 30u" GOLD.

2. MATERIAL:

INSULATORS: THERMOPLASTIC G.F(UL94V-0) BLACK
 CONTACTS: COPPER ALLOY, GOLD(G/F or 30u") TOP OVER CONTACT AREA, 100u" Min MATTE TIN TOP OVER SOLDER AREA, 50u" Min NICKEL UNDER PLATE.
 SHELL: CARBON STEEL, 100u" Min NICKEL TOP OVER, 50u" Min COPPER UNDER PLATE.
 HARPOON: COPPER ALLOY, 100u" Min MATTE TIN PLATED.
 NUT: COPPER ALLOY, 50u" Min NICKEL PLATED.

3. PART NUMBER DESCRIPTION: 10090928-P XX X X LF



PART NO.: 10090928-P78*VLF

mat'l. code				tolerances unless otherwise specified			CUSTOMER COPY		FCI		www.fciconnect.com	
ltr	ecn no	dr	date	linear	.X ± 0.38		projection	title				
C					.XX ± 0.25			H/D D-SUB MALE STRAIGHT				
					.XXX ± 0.10							
				angles	0° ±2°		MM		product family D-SUB		code	
				dr	JASON HSU	10/19/10	←→		size		213	
				enrg	JASON HSU	10/19/10	scale		dwg no		sheet	
				chr	ALIAS BABU	21/08/12	1:1		10090928		5 of 5	
				appd	SUDHIR VARMA	21/08/12						
sheet index	revision sheet											