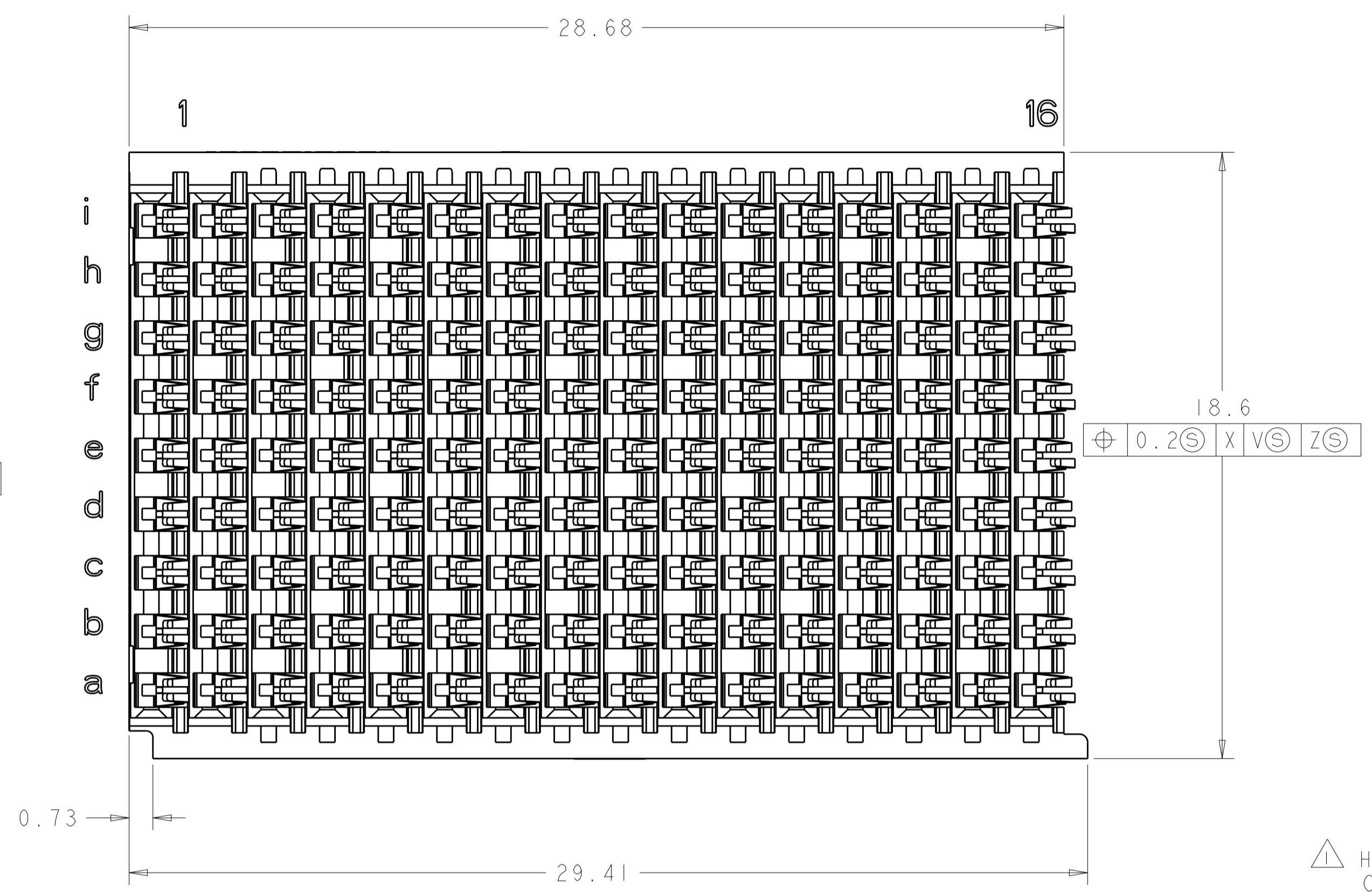
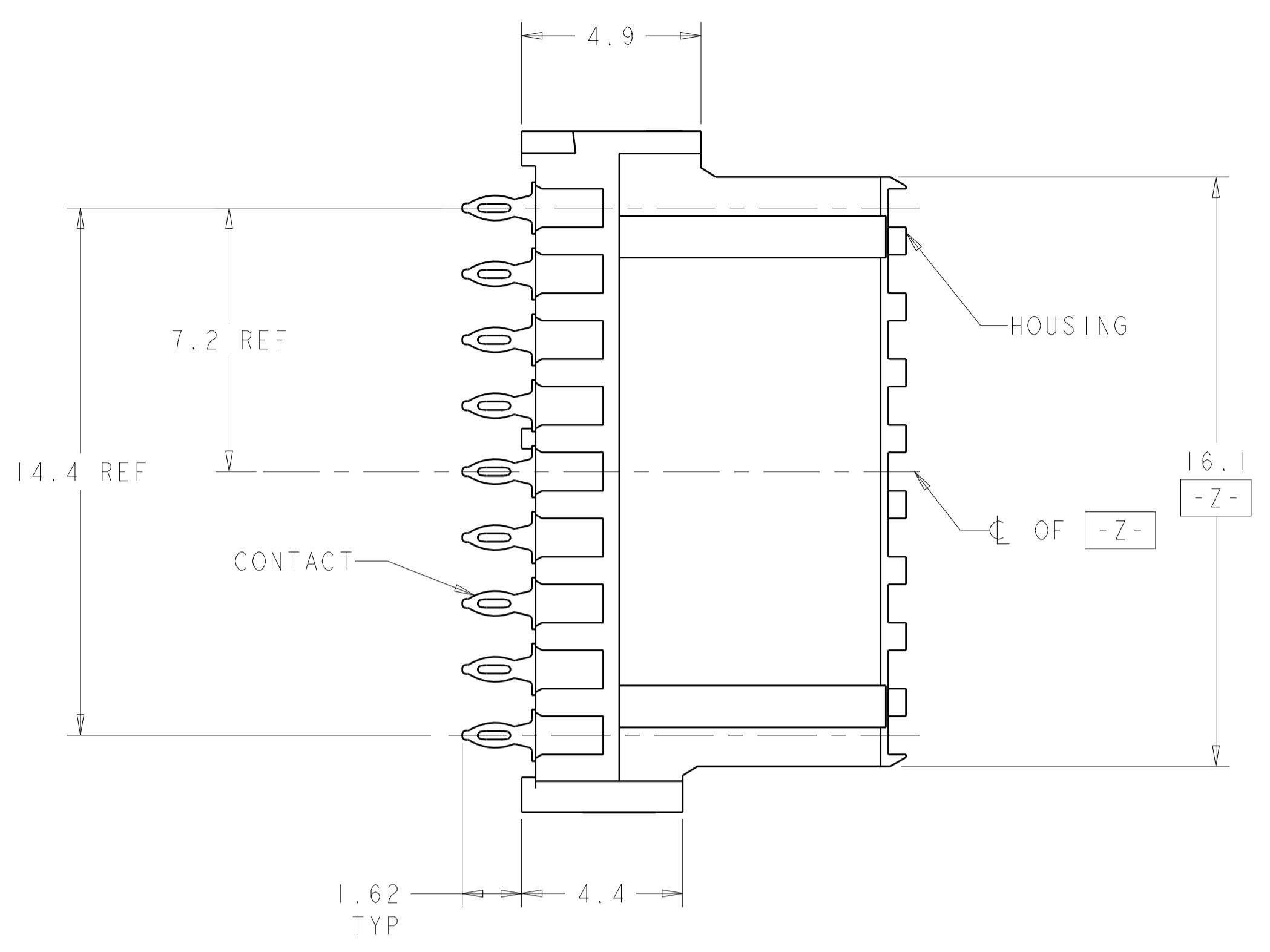
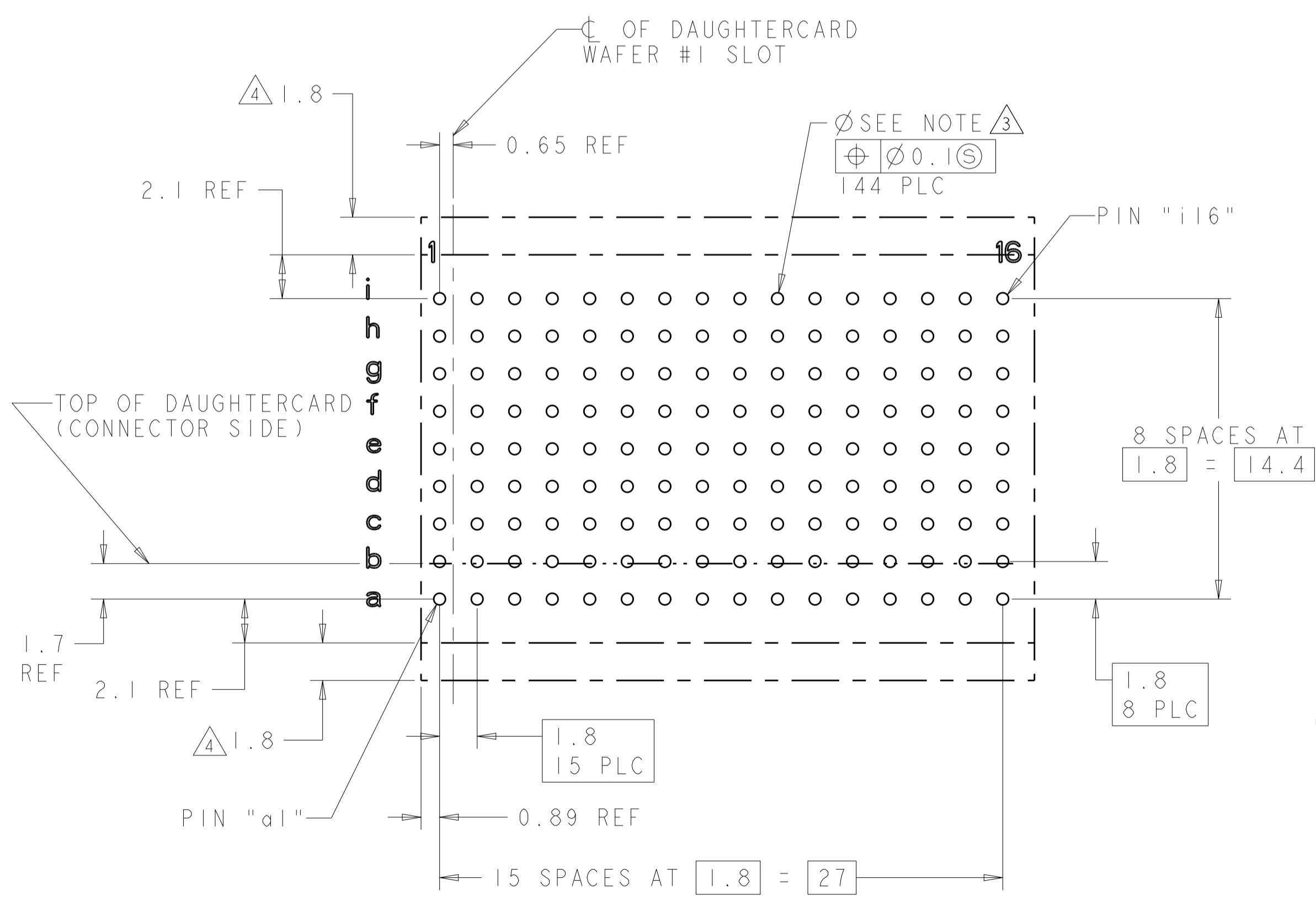


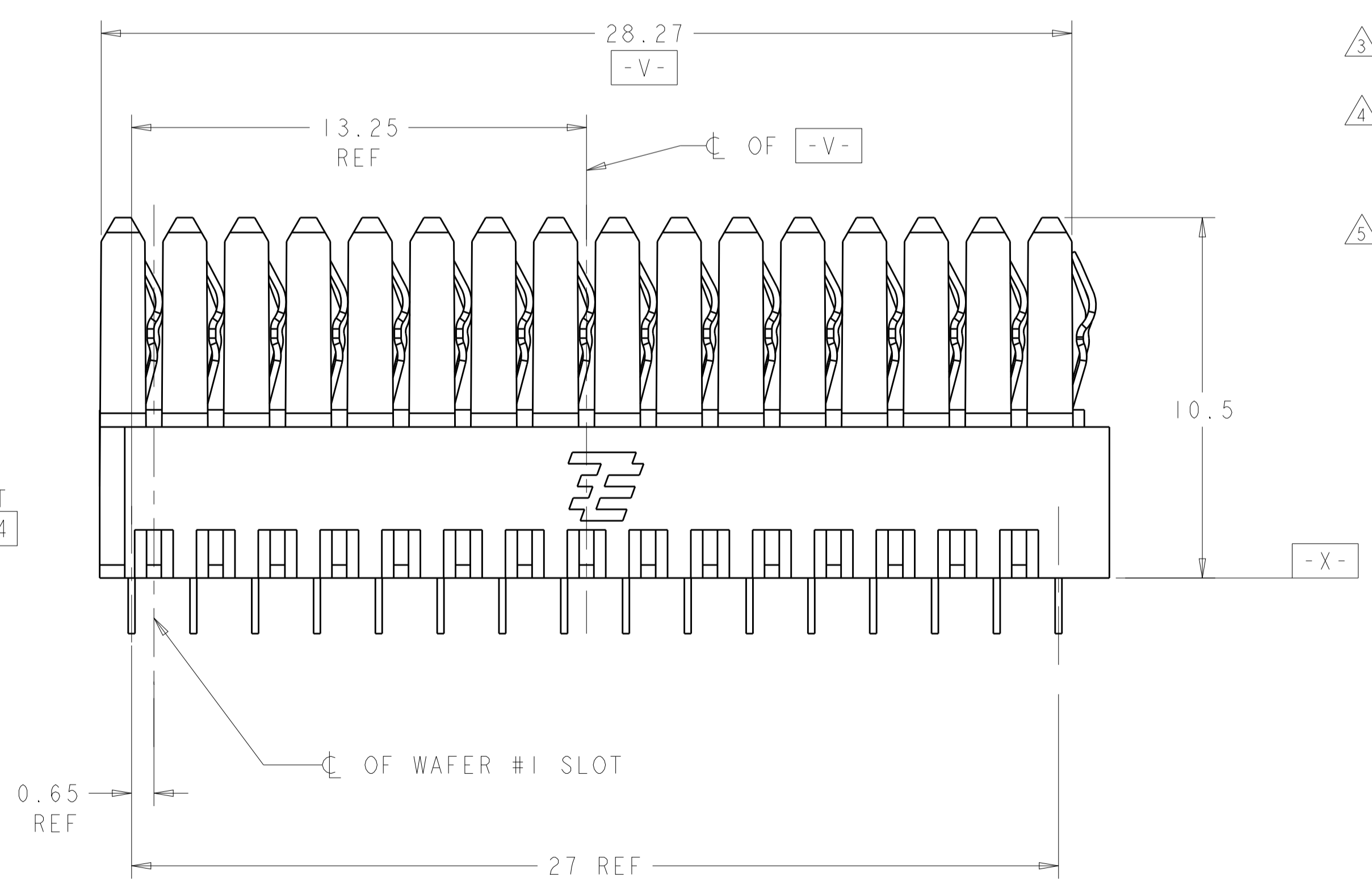
| LOC | | DIST | | REVISIONS | | | |
|-----|-----|----------------------------|-----------|-----------|------|--|--|
| P | LTN | DESCRIPTION | DATE | DWN | APVD | | |
| B | | RELEASED PER ECO-13-004502 | 12MAR2013 | KM | DH | | |
| C | | REVISED PER ECO-13-008265 | 20MAY2013 | DB | DH | | |



- 1 HOUSING: LCP, UL94V0, COLOR: BLACK. CONTACT: PHOSPHOR BRONZE.
- 2 FINISH: 1.27µm GOLD IN CONTACT AREA 1.27µm MIN. TIN-LEAD ON PCB TAIL OVER 2.54µm MIN. NICKEL OVER ALL.
- 3 PLATED THROUGH HOLE PER 114-13056, FIGURE 4
- 4 ADDITIONAL CONNECTOR-SIDE KEEP-OUT AREA REQUIRED IF CONNECTOR-SIDE EXTRACTION TOOL IS TO BE USED.
- 5 FINISH: 1.27µm MIN GOLD IN CONTACT AREA, 0.50µm MIN TIN ON PCB TAIL OVER 2.54µm MIN. NICKEL OVER ALL.



PC BOARD LAYOUT
 (CONNECTOR SIDE)
 (SEE SHEET 2 FOR RTM)
 SCALE 5:1

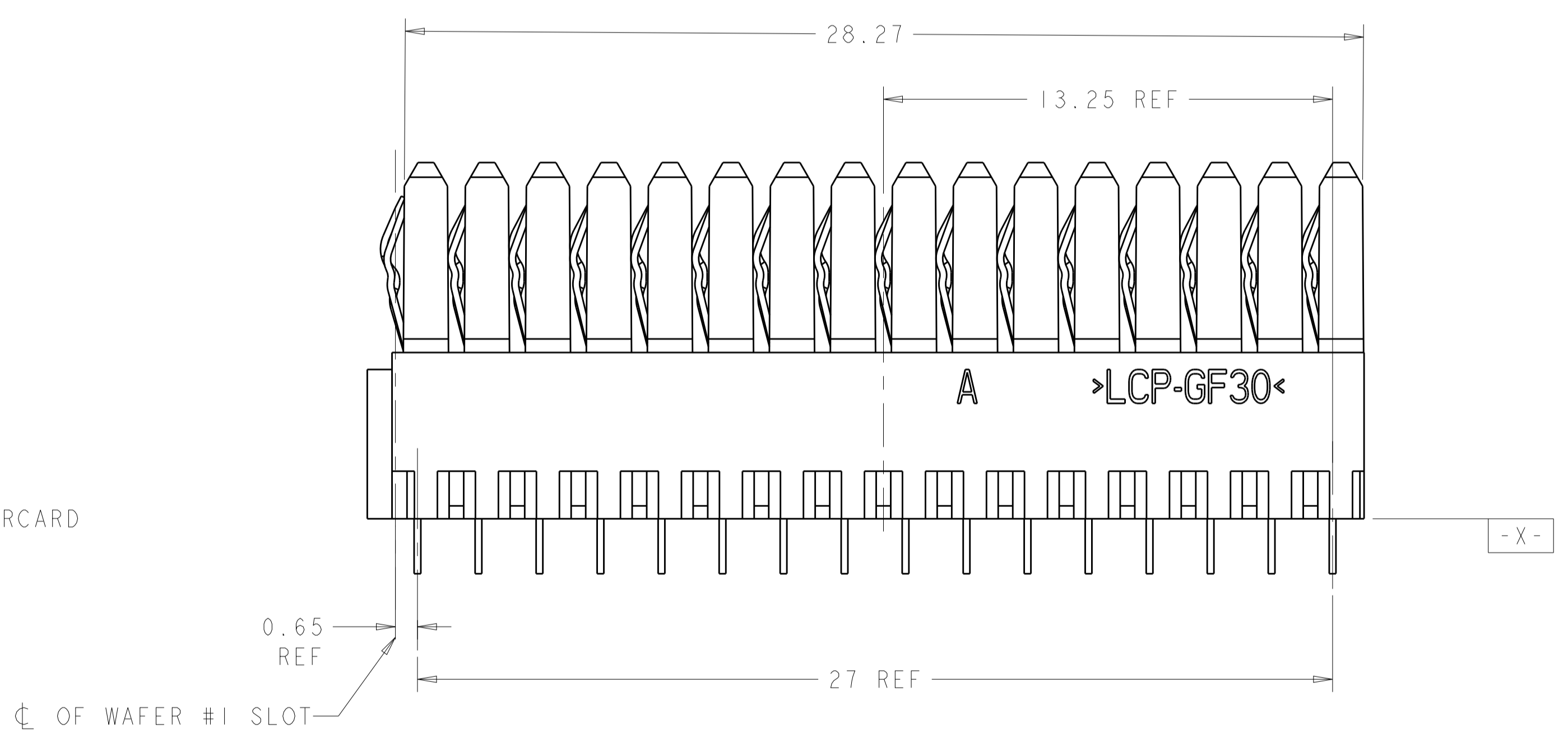
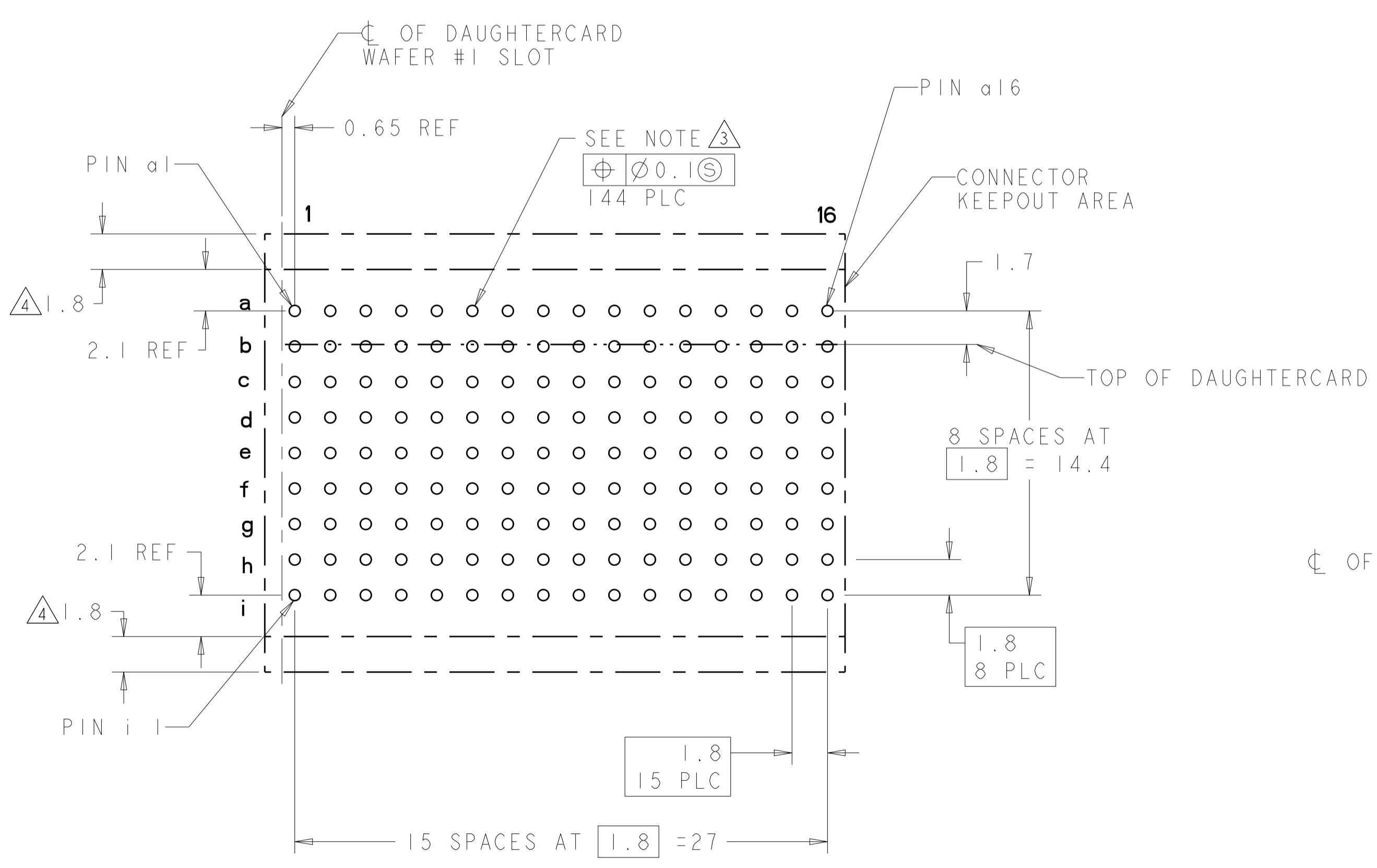
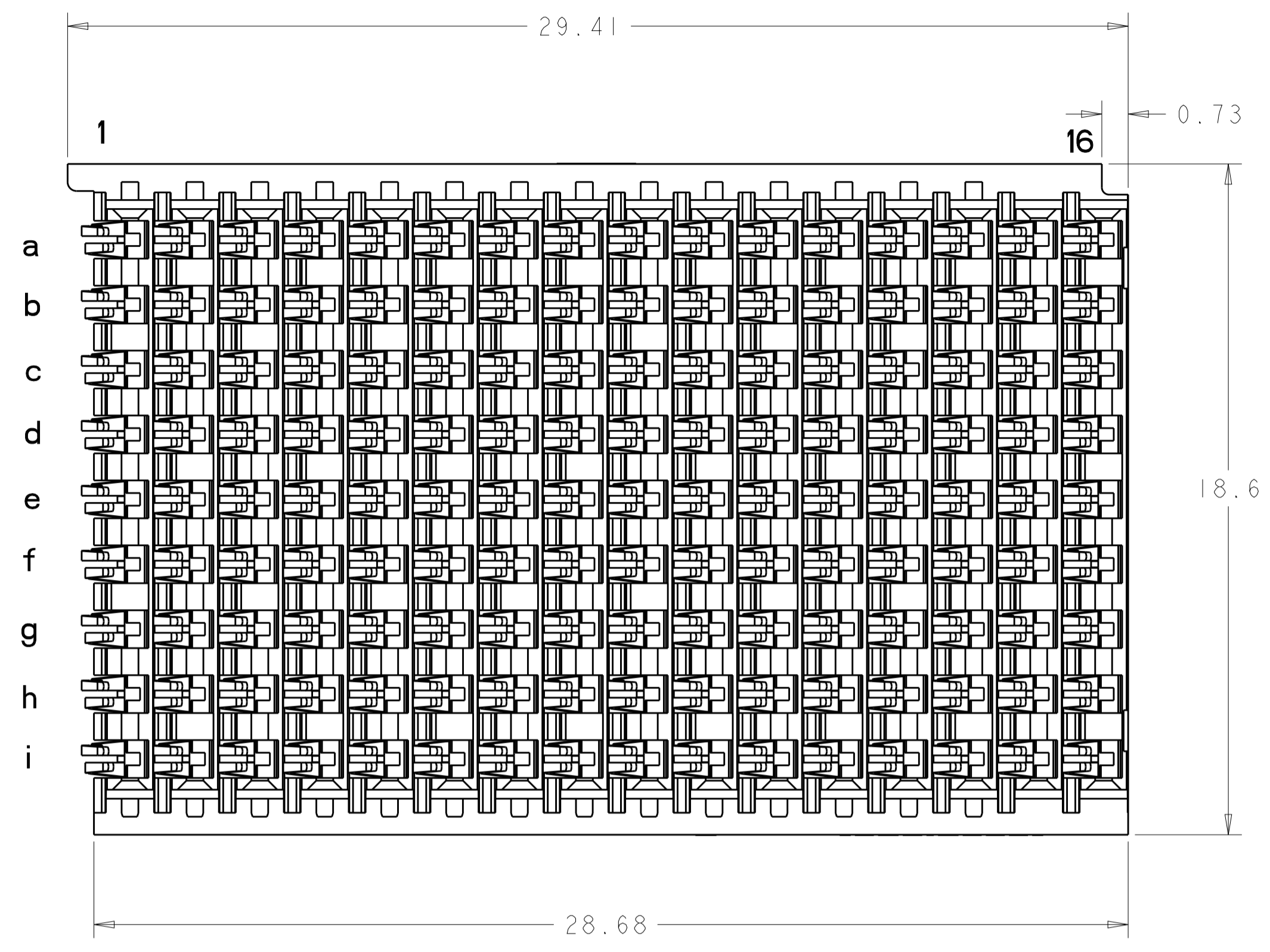
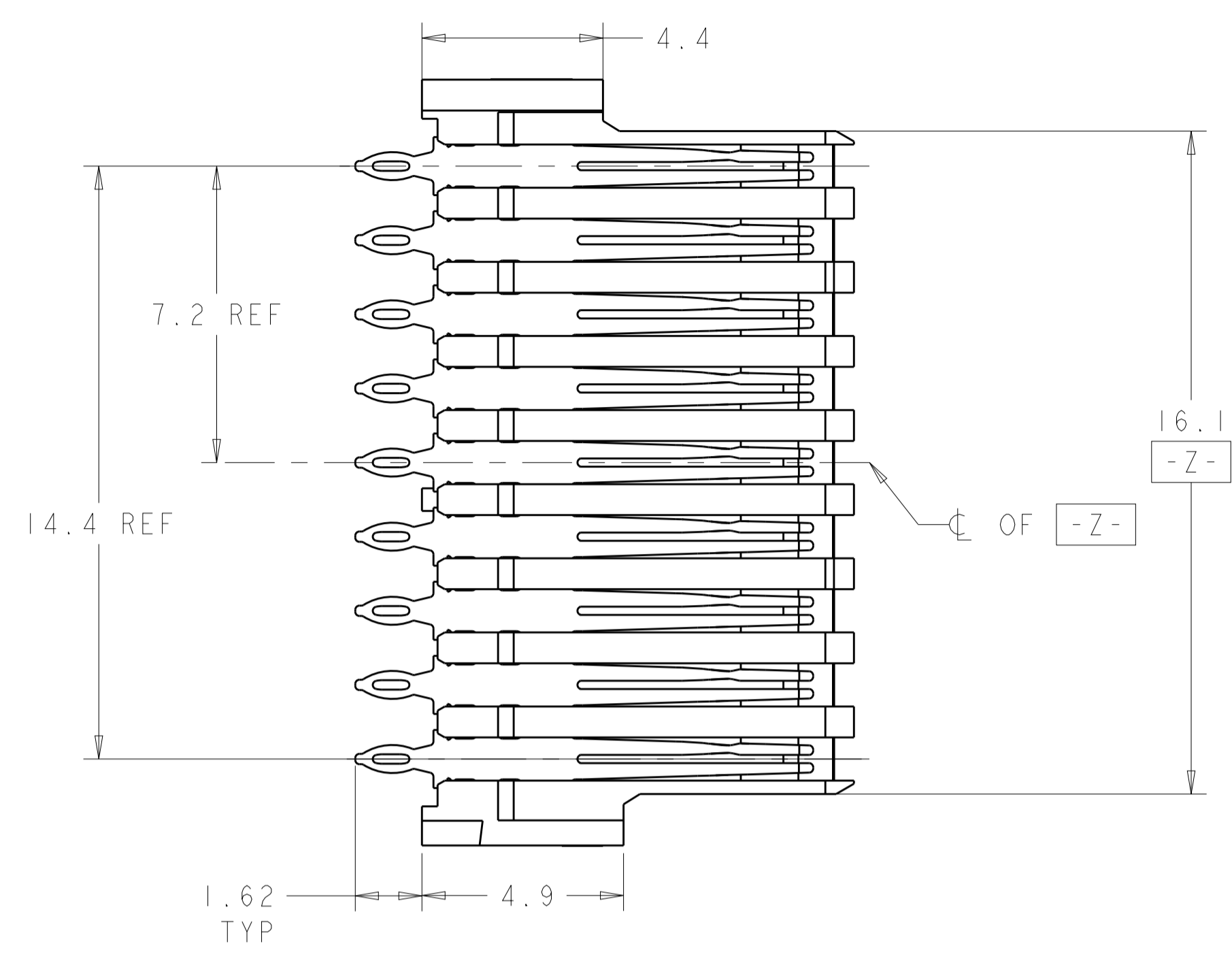


| | |
|---------|-----------|
| 5 | 2102736-2 |
| 2 | 2102736-1 |
| PLATING | PART NO |

| | | | | |
|--|--|-----------------------------|--|--|
| THIS DRAWING IS A CONTROLLED DOCUMENT. | | DWN: K. MILLER 07SEP2011 | TE Connectivity | |
| DIMENSIONS: mm | | CHK: K. THACKSTON 12SEP2011 | NAME: CONNECTOR ASSEMBLY, BACKPLANE VERTICAL RECEPTACLE, CENTER, 20.3mm, MULTIGIG RT 2-R | |
| TOLERANCES UNLESS OTHERWISE SPECIFIED: | | APVD: M. McALONIS 10SEP2012 | SIZE: CAGE CODE: DRAWING NO: RESTRICTED TO | |
| 0 PLC ± 1 PLC ±0.5 2 PLC ±0.13 3 PLC ± 4 PLC ± ANGLES ±1° | | PRODUCT SPEC: 108-2072 | SCALE: 4:1 SHEET 1 OF 2 REV C | |
| MATERIAL: SEE TABLE | | APPLICATION SPEC: 114-13056 | Customer Drawing | |
| | | WEIGHT: 6.51g | A100779C=2102736 | |

REAR TRANSITION MODULE APPLICATION

| LOC | DIST | REV | DATE | BY | APPV |
|-----------|------|-----|-------------|----|------|
| - | - | 1 | - | - | - |
| REVISIONS | | | DESCRIPTION | | |
| - | | | SEE SHEET 1 | | |



| | | | |
|--|--|--|---------------------------------|
| THIS DRAWING IS A CONTROLLED DOCUMENT. | | DWN: K. MILLER 07SEP2011 CHK: K. THACKSTON 12SEP2011 APVD: M. McALONIS 10SEP2012 | TE Connectivity |
| DIMENSIONS: mm TOLERANCES UNLESS OTHERWISE SPECIFIED: 0 PLC ± 1 PLC ±0.5 2 PLC ±0.13 3 PLC ± 4 PLC ± ANGLES ±1° | | PRODUCT SPEC: 108-2072 APPLICATION SPEC: 114-13056 WEIGHT: 6.51g | |
| MATERIAL: SEE TABLE | | FINISH: SEE TABLE | RESTRICTED TO: Customer Drawing |
| SCALE: 4:1 | | SHEET: 2 OF 2 | REV: C |