

MICRO SWITCH

FREEMONT ILLINOIS, U.S.A
A DIVISION OF HONEYWELL

FED. MFG. CODE 91929

ASSEMBLY - SWITCH

CATALOG LISTING

17AC18-T

M 17AC18-T

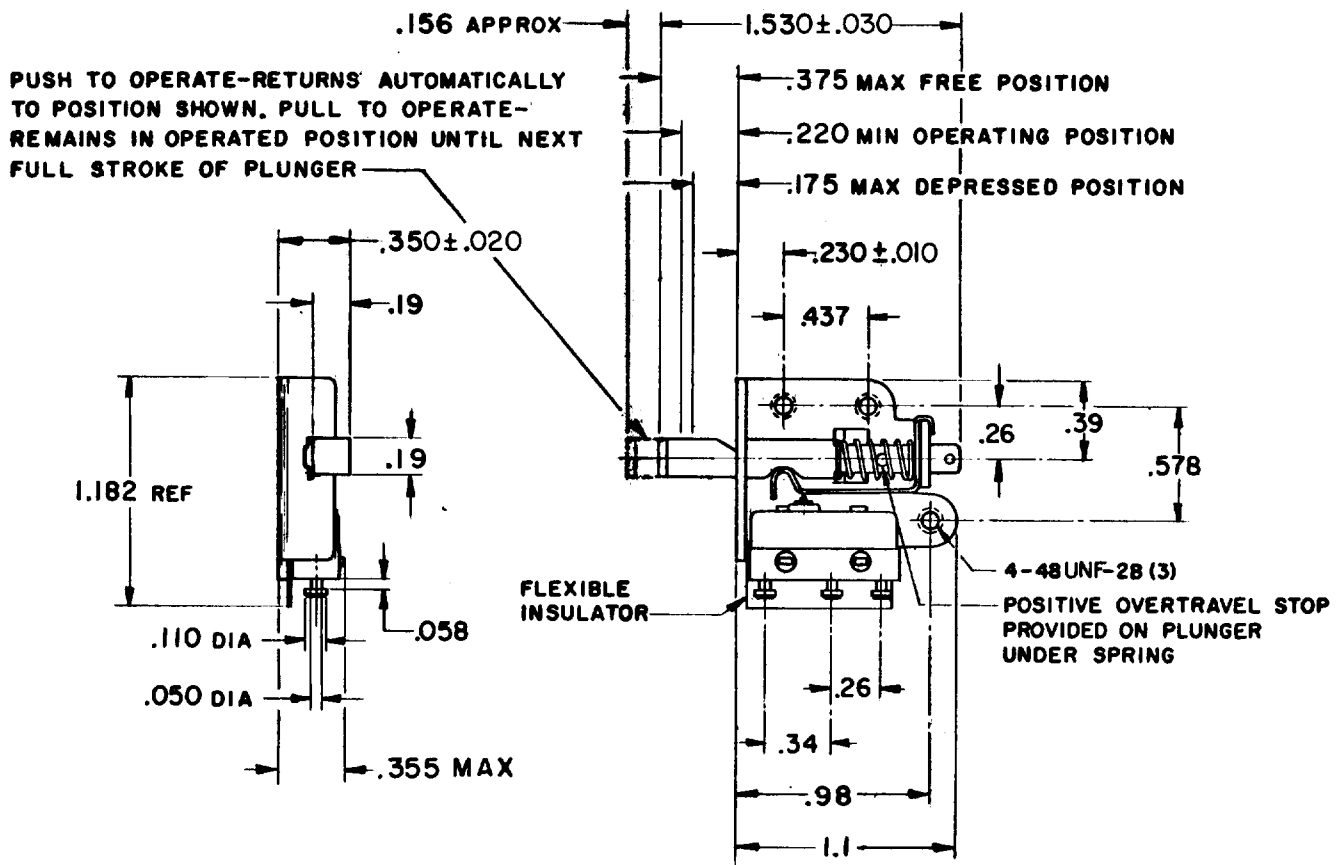
DRAWING NUMBER

ISSUE 3

REVISIONS
A 0024376
RER 9 JUL 68
B 0045748
MBH 07NOV08

FO-50378-1A

REPLACES PR-152
RELEASE NO. 07NOV08
CHECK RS 07NOV08
CHECK JMS 11JUN68
CHECK LSD 11JUN68
DRAWN OMW 27 MAY 68



RASTER

THIS DRAWING COVERS A PROPRIETARY ITEM AND IS THE PROPERTY OF MICRO SWITCH, A DIVISION OF HONEYWELL. THIS DRAWING IS NOT TO BE COPIED OR USED WITHOUT THE APPROVAL OF MICRO SWITCH.

CHARACTERISTICS	ELECTRICAL DATA	SCALE
TOTAL TRAVEL .156 APPROX PUSH DIRECTION .156 APPROX PULL DIRECTION FULL OVERTRAVEL --- 2 LB APPROX	CONTACT ARRANGEMENT S P D T 250 VAC --- 5 AMP 30 VOLTS DC RATING INDUCTIVE --- SEA LEVEL --- 3 AMP 50,000 FT --- 2.5 AMP RESISTIVE --- SEA LEVEL --- 5 AMP 50,000 FT --- 5 AMP MAXIMUM INRUSH --- 24 AMP	DO NOT SCALE PRINT UNLESS OTHERWISE NOTED DIMENSIONS ARE IN INCHES TOLERANCES ARE: ONE PLACE (.0) ± .030 TWO PLACE (.00) ± .015 THREE PLACE (.000) ± .005 ANGLES ± WEIGHT .02 LB APPROX