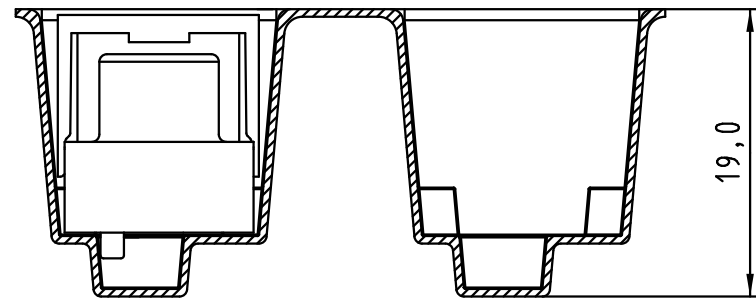


Max. Temperature: 260° during 10 seconds.

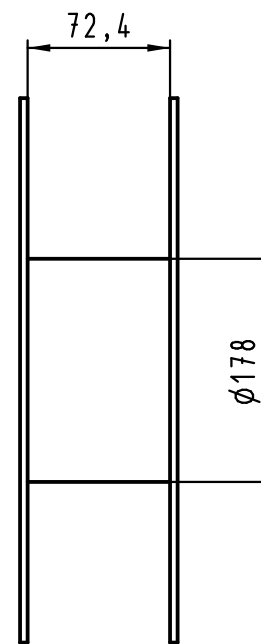
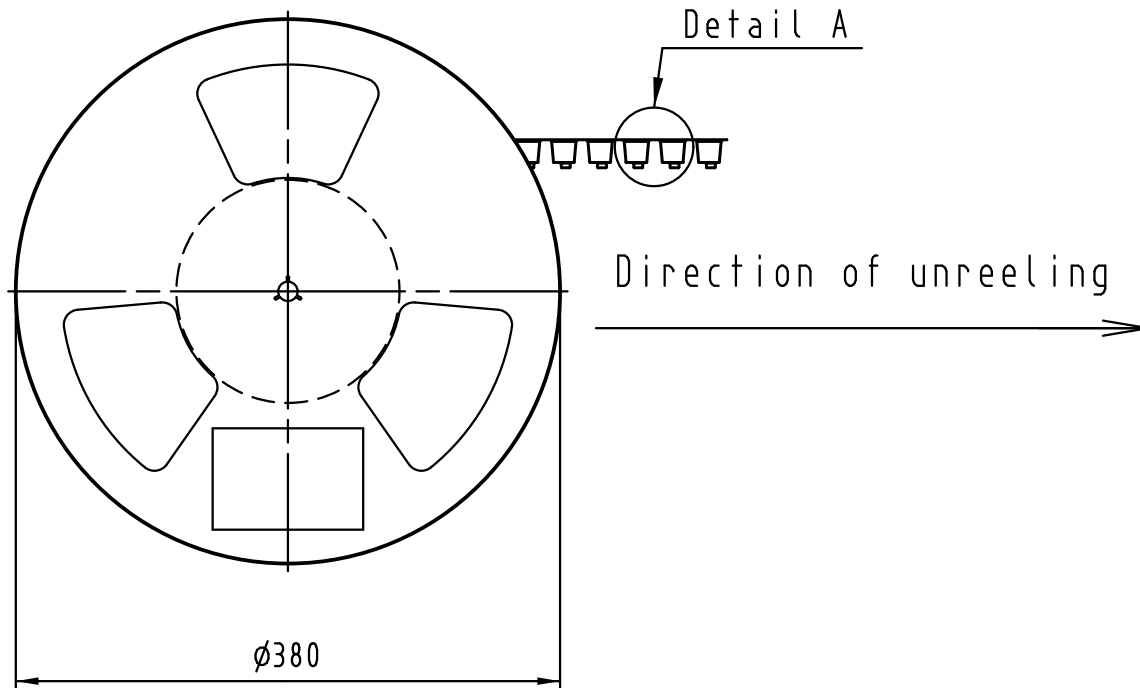
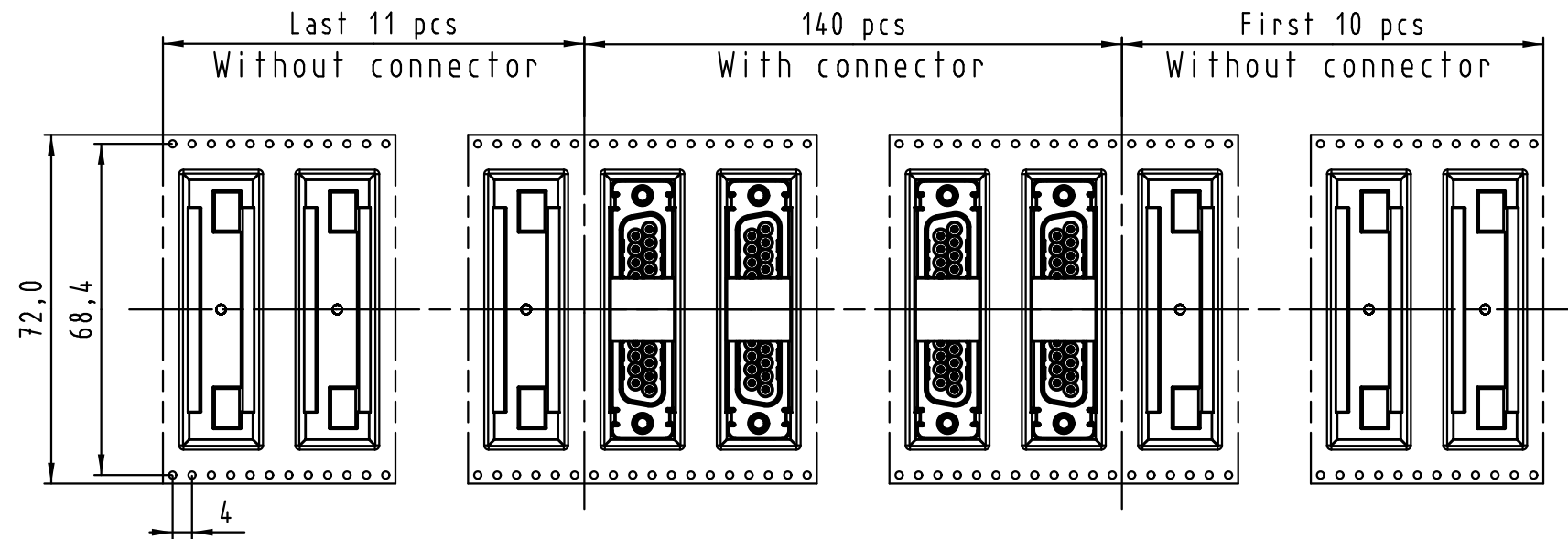
0955 315 3611 741	1	M3	Black insulator	Reel Packaging: 140 connectors (See details on page2/2)
0955 315 3612 741	1	4-40 UNC		
0955 315 6611 741	2	M3		
0955 315 6612 741	2	4-40 UNC		
0955 315 7611 741	3	M3		
0955 315 7612 741	3	4-40 UNC		
Part number	PL	Nut	Index designation	

All Dimensions in mm Original Size DIN A 3			Techn. Character.			Free size tolerances			
						D-Sub SMT, 25 poles Female, Straight with nuts and ground pads			
									2:1
EC04070	17-Nov-11	Johnson.S	Zhuhai HARTING Limited					TB 09 55 315 x61x	Page 1/2
Mod.	Dat.	Name				Sub.			

All rights reserved



Detail A



See TB 09 55 315 x61x folio 1/2 for connector dimensions and PCB layout

Packaging in accordance with EIA 481-2.

0955 315 3611 741	1	M3	Black insulator	Reel Packaging: 140 connectors
0955 315 3612 741	1	4-40 UNC		
0955 315 6611 741	2	M3		
0955 315 6612 741	2	4-40 UNC		
0955 315 7611 741	3	M3		
0955 315 7612 741	3	4-40 UNC		
Part number	PL	Nut	Index designation	

All Dimensions in mm Original Size DIN A 3			Techn. Character.			Free size tolerances		
				Dat.	Name	Scale		
			Detail.	25-Oct-11	Johnson.S	D-Sub SMT, 25 poles Female, Straight with nuts and ground pads		
			Insp.	17-Nov-11	Steven.W			
			Stand.	17-Nov-11	Steven.W			
EC04070	17-Nov-11	Johnson.S	Zhuhai HARTING Limited			TB 09 55 315 x61x		
Mod.	Dat.	Name				Sub.		

All rights reserved