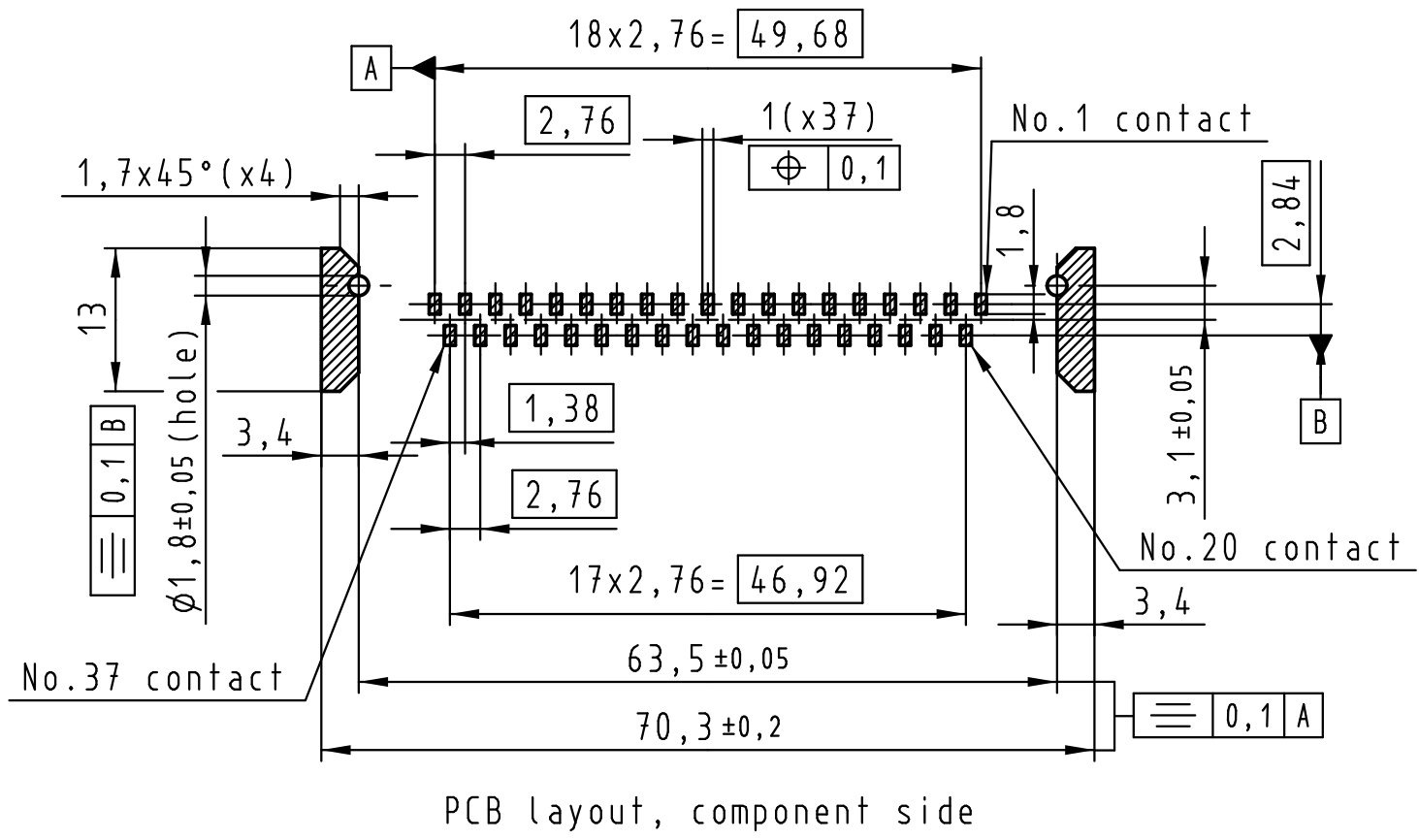
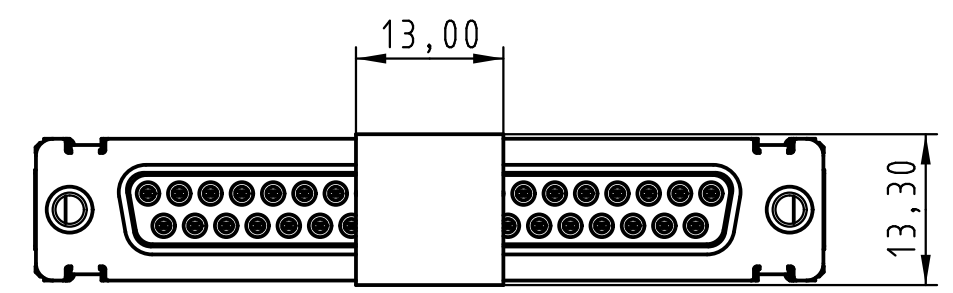
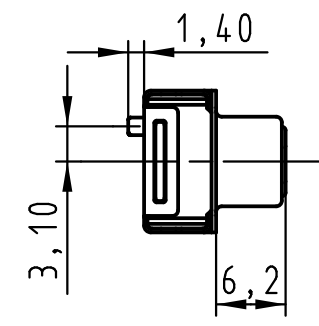
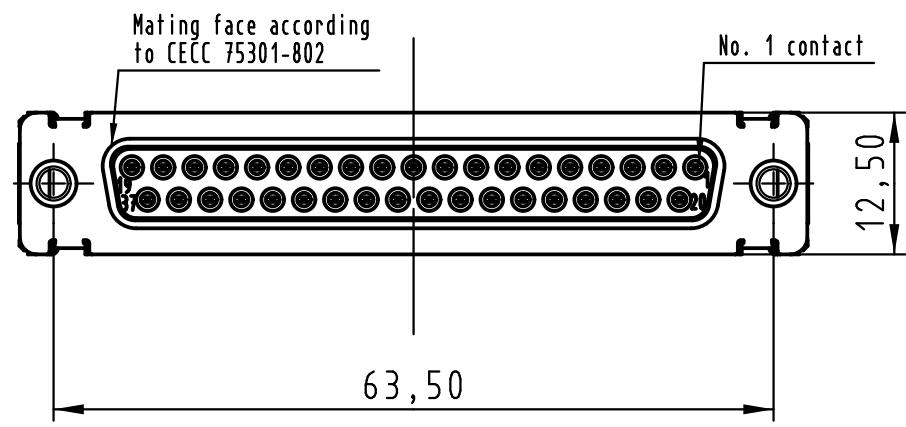
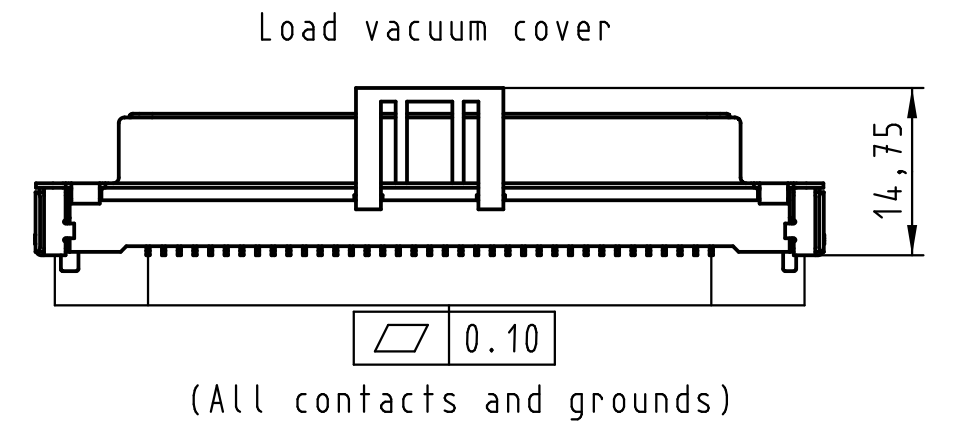
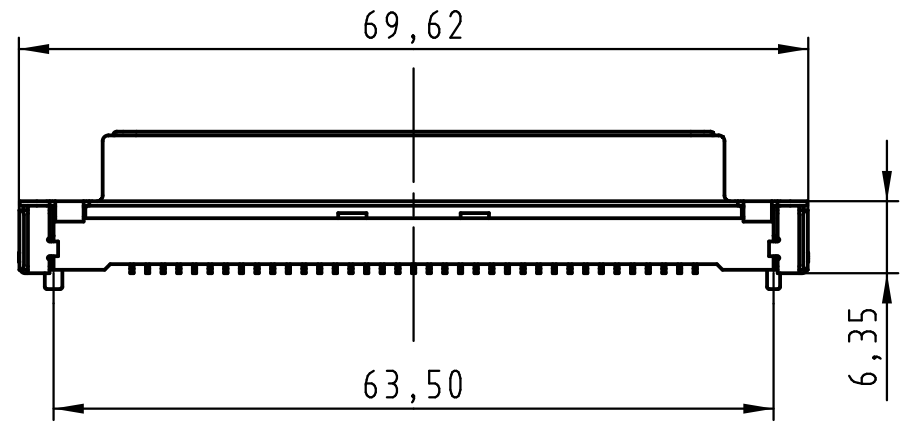


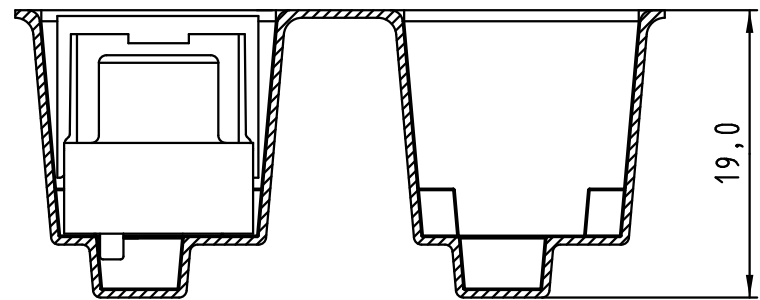
All rights reserved



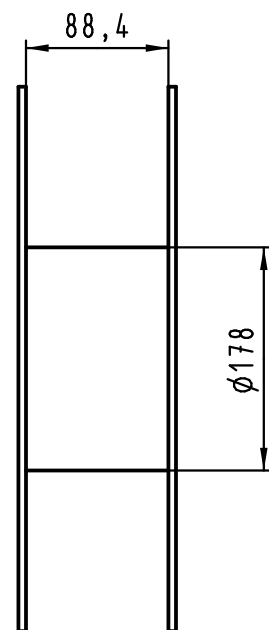
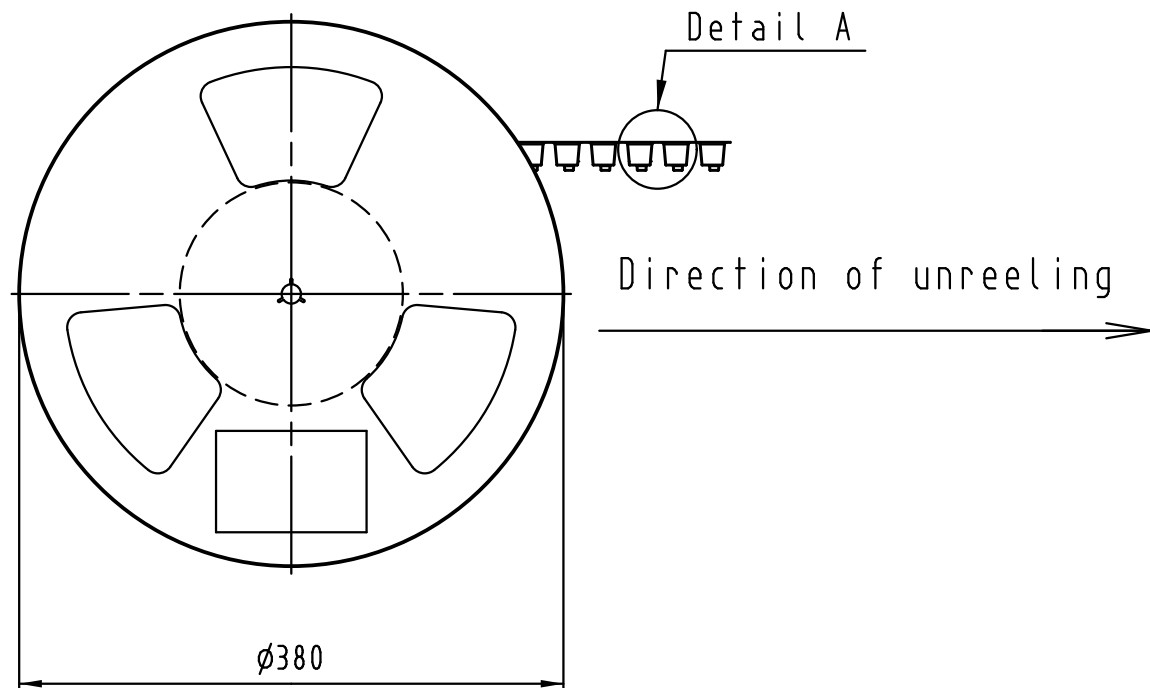
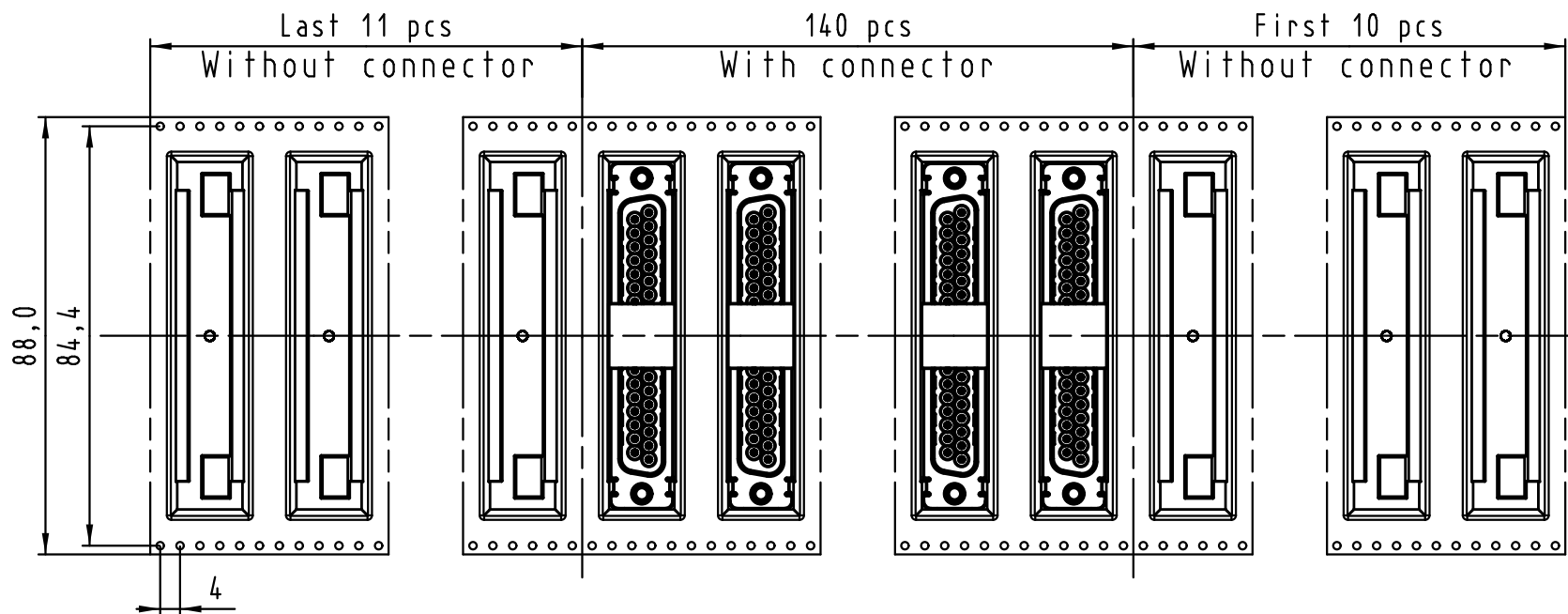
Max. Temperature: 260° during 10 seconds.

0955 415 3611 741	1	M3	Black insulator	Reel Packaging: 140 connectors (See details on page 2/2)
0955 415 3612 741	1	4-40 UNC		
0955 415 6611 741	2	M3		
0955 415 6612 741	2	4-40 UNC		
0955 415 7611 741	3	M3		
0955 415 7612 741	3	4-40 UNC		
Part number	PL	Nut	Index designation	

	All Dimensions in mm Original Size DIN A 3			Techn. Character.		Free size tolerances	
		Dat.	Name	Scale		D-Sub SMT, 37 poles Female, Straight with nuts and ground pads	
		Detail.	25-Oct-11 Johnson.S	1.5:1			
		Insp.	17-Nov-11 Steven.W				
	Stand.	17-Nov-11 Steven.W					
EC04070	17-Nov-11	Johnson.S	Zhuhai HARTING Limited		TB 09 55 415 x61x		Page 1/2
Mod.	Dat.	Name			Sub.		



Detail A



See TB 09 55 415 x61x folio 1/2 for connector dimensions and PCB layout

Packaging in accordance with EIA 481-2.

All rights reserved

0955 415 3611 741	1	M3	Black insulator	Reel Packaging: 140 connectors
0955 415 3612 741	1	4-40 UNC		
0955 415 6611 741	2	M3		
0955 415 6612 741	2	4-40 UNC		
0955 415 7611 741	3	M3		
0955 415 7612 741	3	4-40 UNC		
Part number	PL	Nut	Index designation	

All Dimensions in mm Original Size DIN A 3			Techn. Character.			Free size tolerances						
				Dat.	Name	Scale						
			Detail.	25-Oct-11	Johnson.S	D-Sub SMT, 37 poles Female, Straight with nuts and ground pads						
			Insp.	17-Nov-11	Steven.W							
			Stand.	17-Nov-11	Steven.W							
EC04070	17-Nov-11	Johnson.S	Zhuhai HARTING Limited			TB 09 55 415 x61x						
Mod.	Dat.	Name				Sub. <table style="float: right; border: none;"> <tr> <td style="border: none;">Page</td> <td style="border: none;">2</td> </tr> <tr> <td style="border: none;">/</td> <td style="border: none;">2</td> </tr> </table>			Page	2	/	2
Page	2											
/	2											