

MICRO SWITCH

A DIVISION OF MINNEAPOLIS-HONEYWELL REGULATOR COMPANY
FREEPORT, ILLINOIS

FED. MFR. CODE 91929

SWITCH - BASIC

CATALOG LISTING
BZ-2RW82

DRAWING NUMBER **BZ-2RW82** PAGE 1 OF 1

ISSUE **M** 10

REPLACES

RELEASE NO.

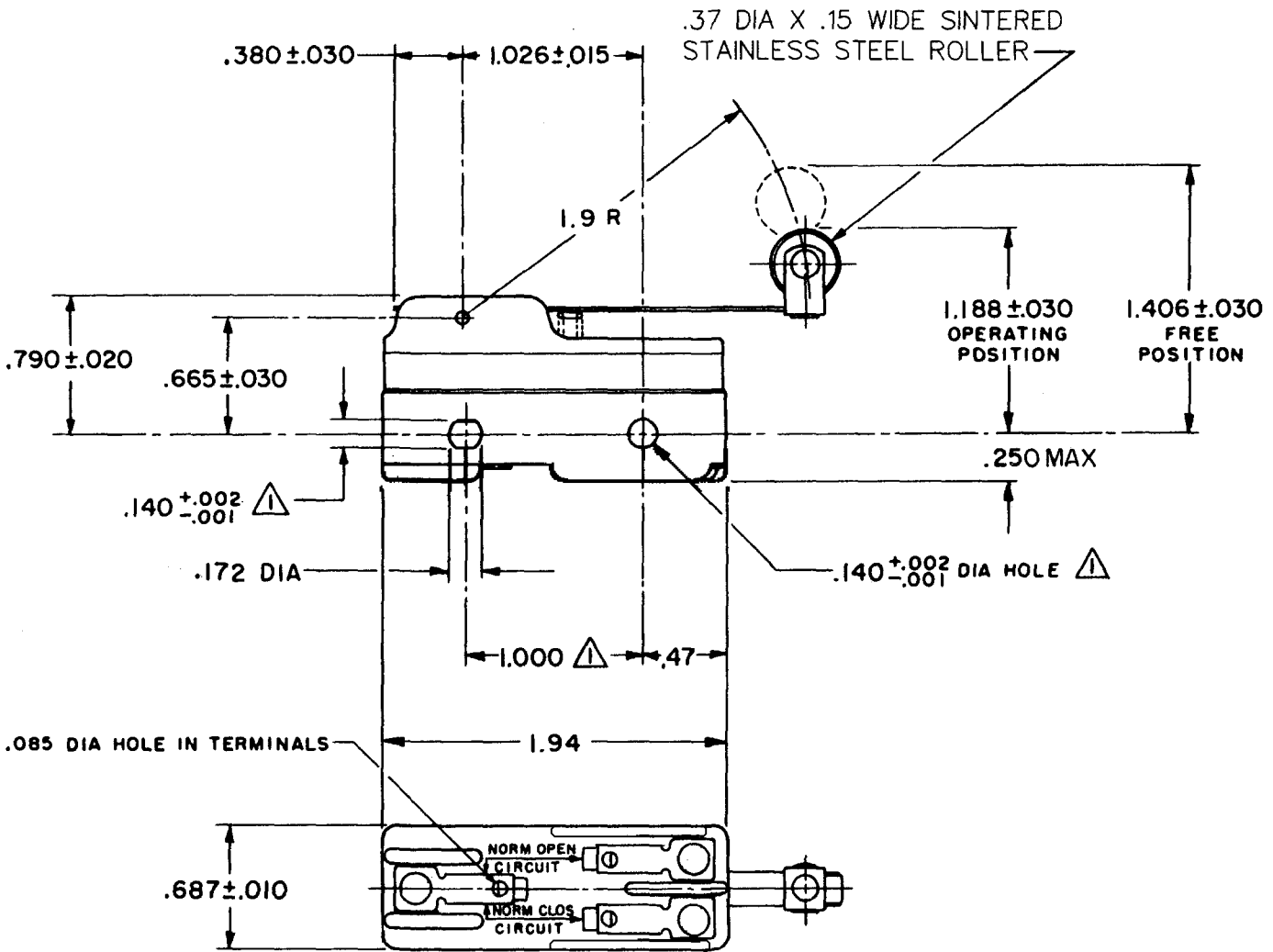
CHECK

REVISIONS

A	CO-16736	GCH	13 MAR 62
B	C034306	DJW	17 JUL 75
C	C046304	JAP	13 OCT 79
D	CO-58037	SMA	1 OCT 85
E	CO-75204B	KDR	1 FEB 94
F	CO-78874	DLT	18 NOV 94
G	C093346	DLT	11 SEP 98
H	CO-94212-J	JJA	5 OCT 99




CHECK DRAW 28 MAR 62

FORMTEK
FC-80375
DRAWN
GCH 13 MAR 62



NOTE
 \triangle MOUNTING HOLES WILL ACCEPT PINS OR SCREWS OF $.139 \text{ MAX DIA}$ ON $1.000 \pm .002$ CENTERS

THIS DRAWING COVERS A PROPRIETARY ITEM AND IS THE PROPERTY OF MICRO SWITCH, A DIVISION OF MINNEAPOLIS-HONEYWELL REGULATOR CO. THIS DRAWING IS NOT TO BE COPIED OR USED WITHOUT THE APPROVAL OF MICRO SWITCH.

CHARACTERISTICS	ELECTRICAL DATA	SCALE FULL
OPERATING FORCE ----- 3 1/2 OZ MAX	CONTACT ARRANGEMENT S P D T	DO NOT SCALE PRINT
RELEASE FORCE ----- 3/4 OZ MIN	UNDERWRITERS' LAB. INC. LISTED RATING	UNLESS OTHERWISE SPECIFIED DIMENSIONS ARE IN INCHES
DIFFERENTIAL TRAVEL ----- .004 - .040	-L96- 15A-125, 250, OR 480 VAC	TOLERANCES ARE:
OVERTRAVEL ----- .156 MIN	1/2 A-125 VDC; 1/4 A-250 VDC	ONE PLACE (.0) $\pm .030$
	1/8 HP-125 VAC; 1/4 HP-250 VAC	TWO PLACE (.00) $\pm .015$
	-L288- 	THREE PLACE (.000) $\pm .005$
	-L299- 	ANGLES \pm
	-L306- 	WEIGHT .063 LB
	16A 250V \sim T85 5E4	