

MICRO SWITCH
a Honeywell Division

SWITCH — ENCLOSED

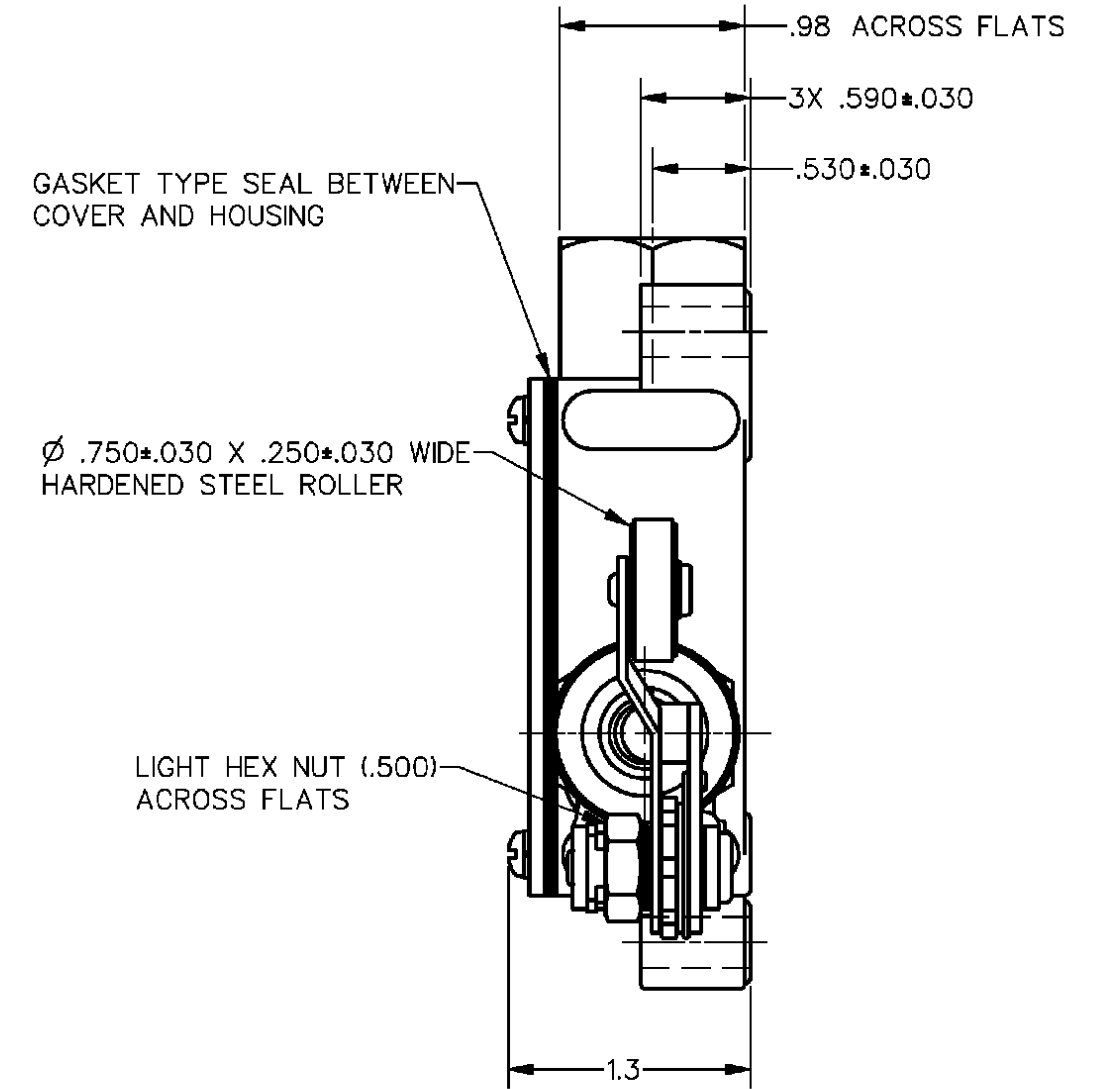
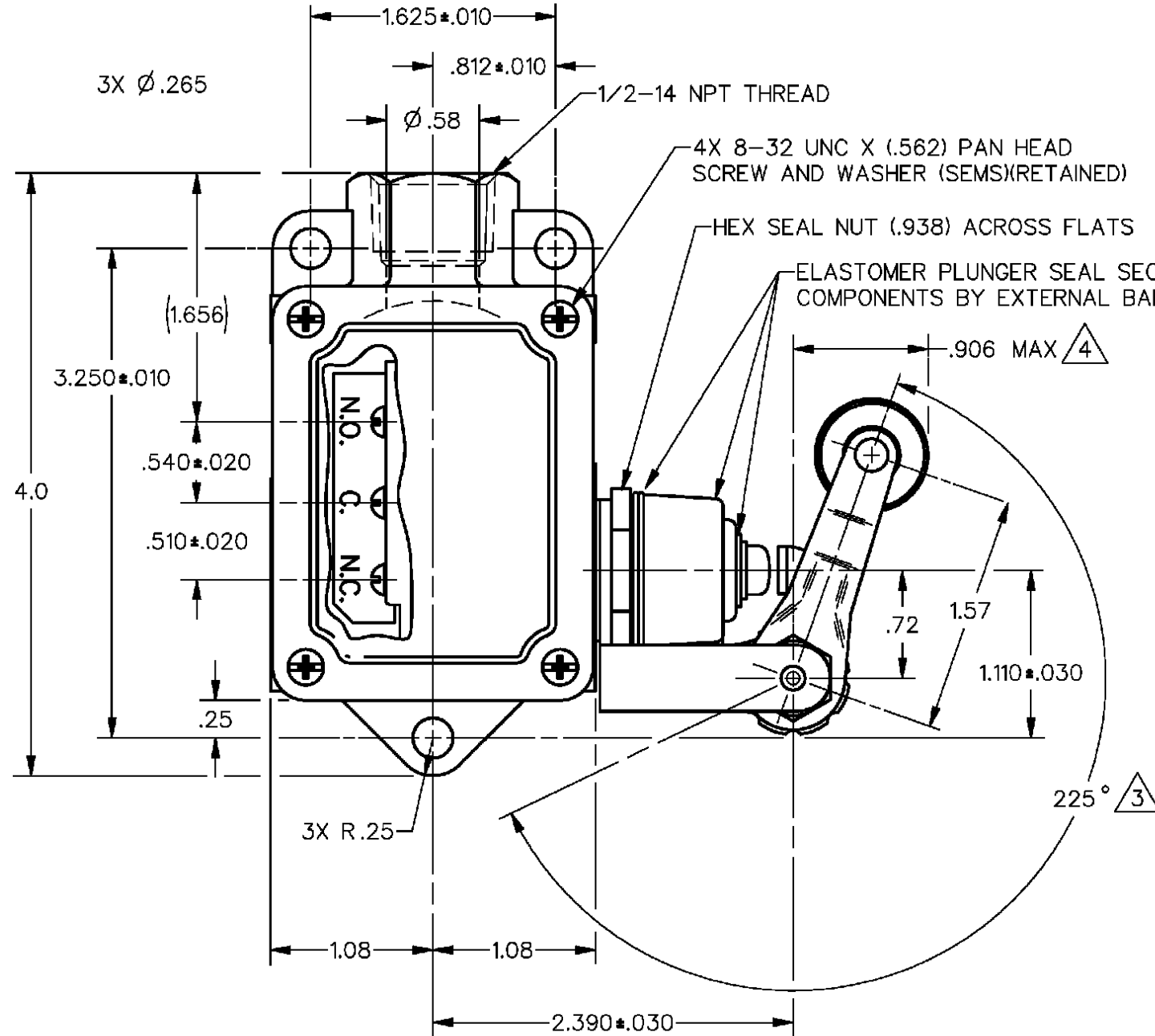
CATALOG LISTING
DTF2-2RN2-RH

FED. MFG. CODE 91929

CATALOG LISTING
DTF2-2RN2-RH
REPLACES
RELEASE NO.
ISSUE
M
15

REVISIONS
A C073751
MAM
22 OCT 92
B
77179-6
JJO
12 MAR 94
C C081513E
JAK
11 MAR 97
D 0018962
VWR
14FEB06

DDM/CAD
DRAWN
MAM 22OCT92
CHECK
WLS 22OCT92
CHECK
BP 14FEB06
CHECK

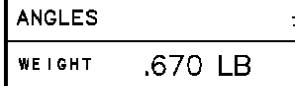


THIS DRAWING COVERS A PROPRIETARY ITEM AND IS THE PROPERTY OF MICRO SWITCH, A DIVISION OF HONEYWELL. THIS DRAWING IS NOT TO BE COPIED OR USED WITHOUT THE APPROVAL OF MICRO SWITCH

THIRD ANGLE PROJECTION

CHARACTERISTICS	ELECTRICAL DATA
OPERATING FORCE ——— 2 1/2 LBS MAX	CONTACT ARRANGEMENT D P D T
RELEASE FORCE ——— 2 OZ MIN	L59 10A 125 OR 250 VAC
PRETRAVEL ——— .312 MAX	0.3A 125 VDC, 0.15A 250 VDC
DIFFERENTIAL TRAVEL ——— .120 MAX	
OVERTRAVEL ——— .219 MIN	
BASIC SWITCH REPLACEMENT ———	
————— DT-2R3-A7	

SCALE	TOLERANCES ARE
FULL	ONE PLACE (.0) $\pm .030$
DO NOT SCALE PRINT	TWO PLACE (.00) $\pm .015$
	THREE PLACE (.000) $\pm .005$
	ANGLES \pm
WEIGHT	.670 LB



- NOTES
- 1 - ROLLER LEVER BRACKET ASSEMBLY MAY BE SET IN ANY POSITION AROUND AXIS OF PLUNGER
 - 2 - 4-40 UNC X (.125) ROUND HEAD TERMINAL SCREWS AND LOCKWASHERS
 - $\triangle 3$ ROLLER LEVER MAY BE POSITIVELY LOCKED AT INTERVALS OF 0.2° WITHIN A RANGE OF 225° (1238 POSITIONS)
 - $\triangle 4$ ROLLER LEVER IS SHOWN IN ITS FREE POSITION AT ONE EXTREME OF ITS ADJUSTABLE RANGE

ANSI Y14.5M-1982 APPLIES