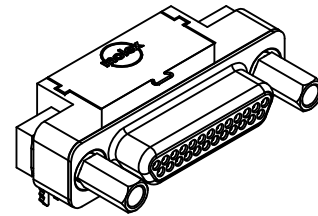
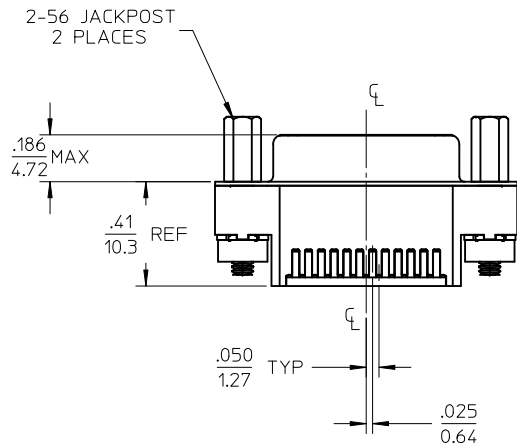
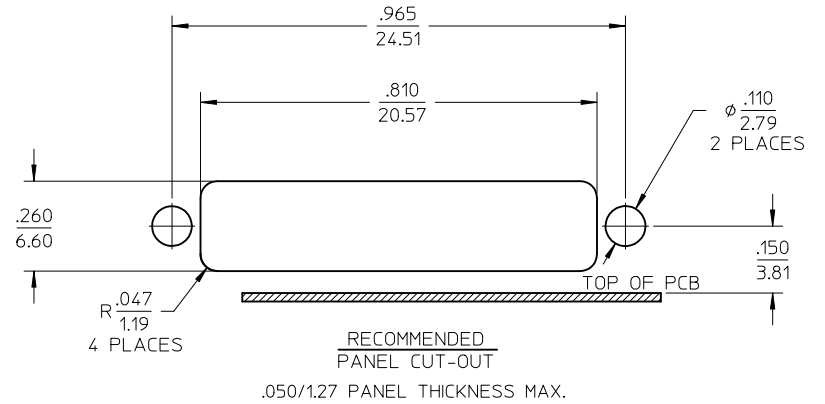
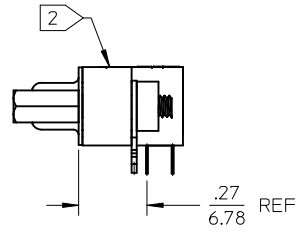
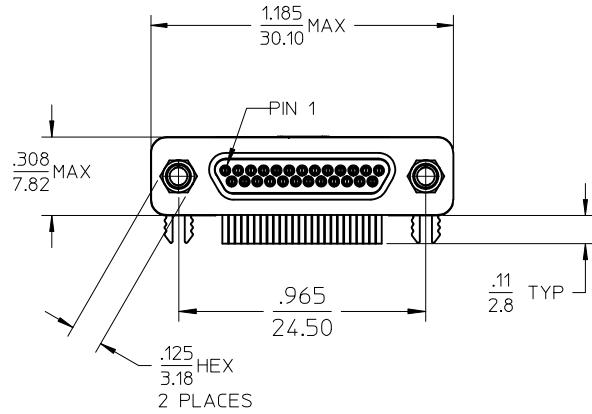
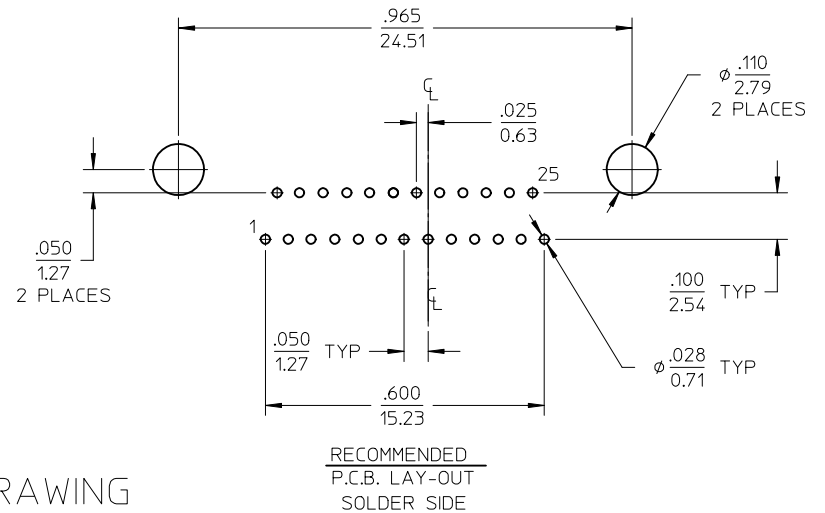


10	9	8	7	6	5	4	3	2	1
MATERIAL NO.	ENG. NO.								
836149012	83614-9012								



RECOMMENDED PANEL THICKNESS .055(1.4) REF



SALES DRAWING

- 3. ROHS COMPLIANT
 - 2. DATE CODE LOCATION
 - 1. REFER TO PS-83421-9000 FOR PRODUCT SPECIFICATION.
- NOTES: UNLESS OTHERWISE SPECIFIED.

ADD PANEL THK. EC NO: WNA2012-0102 DRW: BRUPERT 2011/09/16 CHKD: APPR: JEMURPHY 2012/03/03	QUALITY SYMBOLS	GENERAL TOLERANCES (UNLESS SPECIFIED)	DIMENSION STYLE	SCALE	DESIGN UNITS	THIRD ANGLE PROJECTION															
	$\nabla=0$ $\sphericalangle=0$	<table border="1"> <thead> <tr> <th></th> <th>mm</th> <th>INCH</th> </tr> </thead> <tbody> <tr> <td>4 PLACES</td> <td>± ---</td> <td>± ---</td> </tr> <tr> <td>3 PLACES</td> <td>± ---</td> <td>± .005</td> </tr> <tr> <td>2 PLACES</td> <td>± 0.13</td> <td>± .01</td> </tr> <tr> <td>1 PLACE</td> <td>± 0.25</td> <td>± ---</td> </tr> </tbody> </table>		mm	INCH	4 PLACES	± ---	± ---	3 PLACES	± ---	± .005	2 PLACES	± 0.13	± .01	1 PLACE	± 0.25	± ---	IN/MM	2:1	INCH	
		mm	INCH																		
	4 PLACES	± ---	± ---																		
3 PLACES	± ---	± .005																			
2 PLACES	± 0.13	± .01																			
1 PLACE	± 0.25	± ---																			
DESCRIPTION	<table border="1"> <thead> <tr> <th>DRAWN BY</th> <th>DATE</th> <th>TITLE</th> </tr> </thead> <tbody> <tr> <td>JLOMASTR</td> <td>04/09/22</td> <td rowspan="4">COMM-D,PLG,RT ANG SIZE 25,REM.JKPOST</td> </tr> <tr> <td>CHECKED BY</td> <td>DATE</td> </tr> <tr> <td>RDEROSS</td> <td>04/09/27</td> </tr> <tr> <td>APPROVED BY</td> <td>DATE</td> </tr> </tbody> </table>	DRAWN BY	DATE	TITLE	JLOMASTR	04/09/22	COMM-D,PLG,RT ANG SIZE 25,REM.JKPOST	CHECKED BY	DATE	RDEROSS	04/09/27	APPROVED BY	DATE								
DRAWN BY	DATE	TITLE																			
JLOMASTR	04/09/22	COMM-D,PLG,RT ANG SIZE 25,REM.JKPOST																			
CHECKED BY	DATE																				
RDEROSS	04/09/27																				
APPROVED BY	DATE																				
REV		DRAFT WHERE APPLICABLE MUST REMAIN WITHIN DIMENSIONS	MATERIAL NO. SEE CHART	DOCUMENT NO. SD-83614-001	SHEET NO. 1 OF 1																