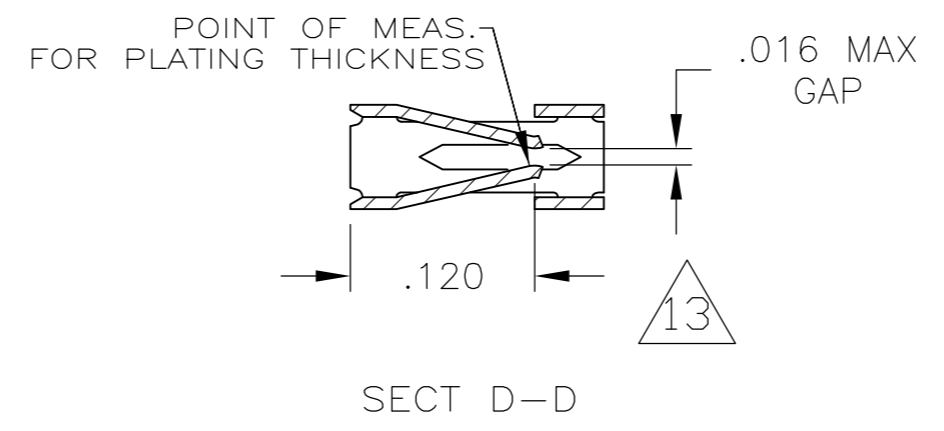
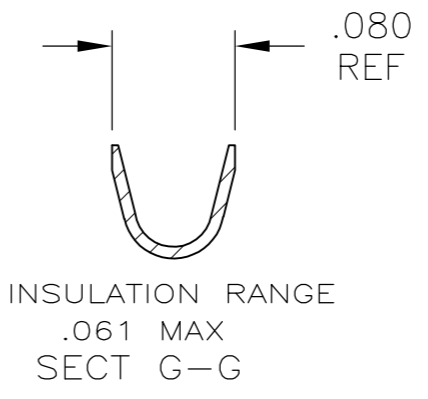
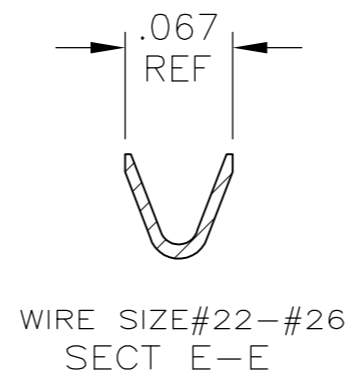
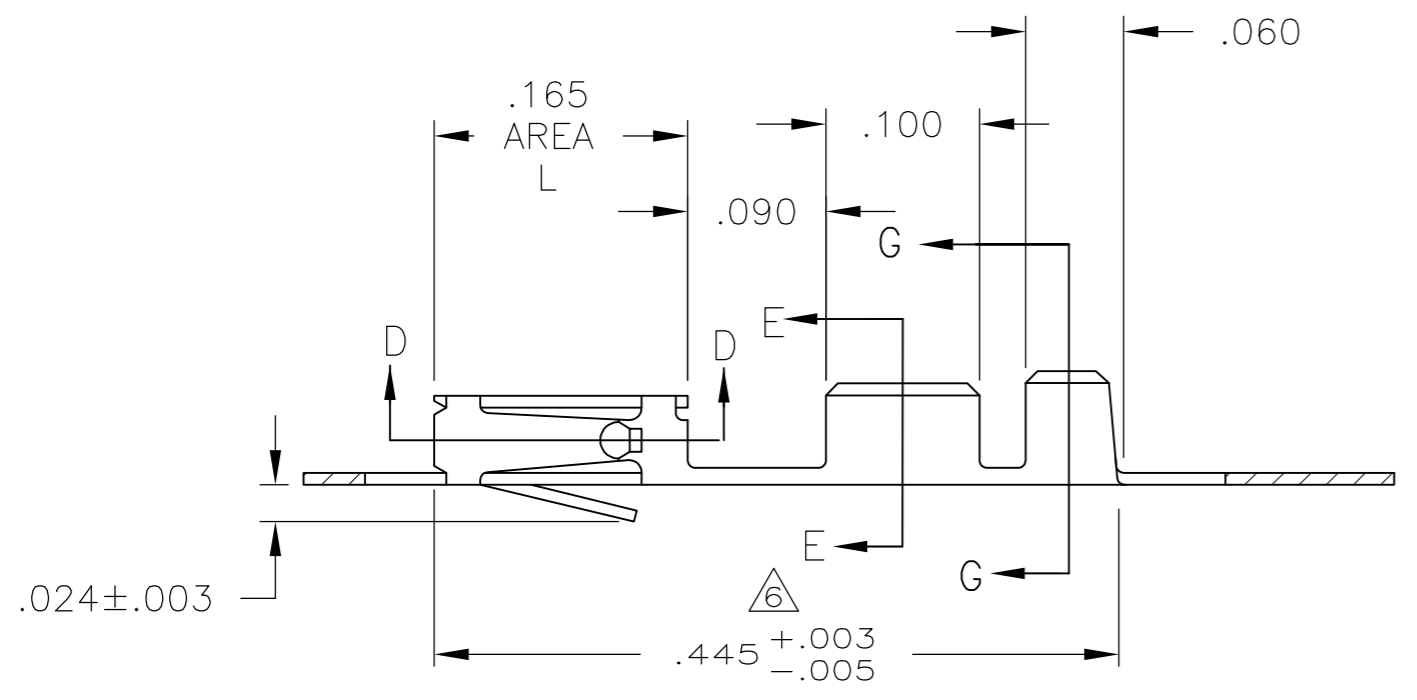
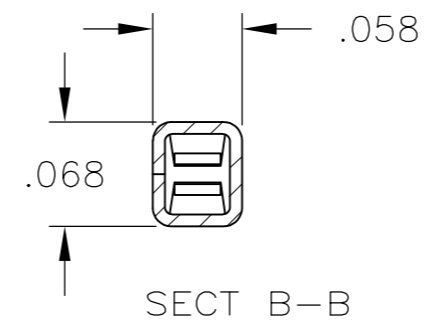
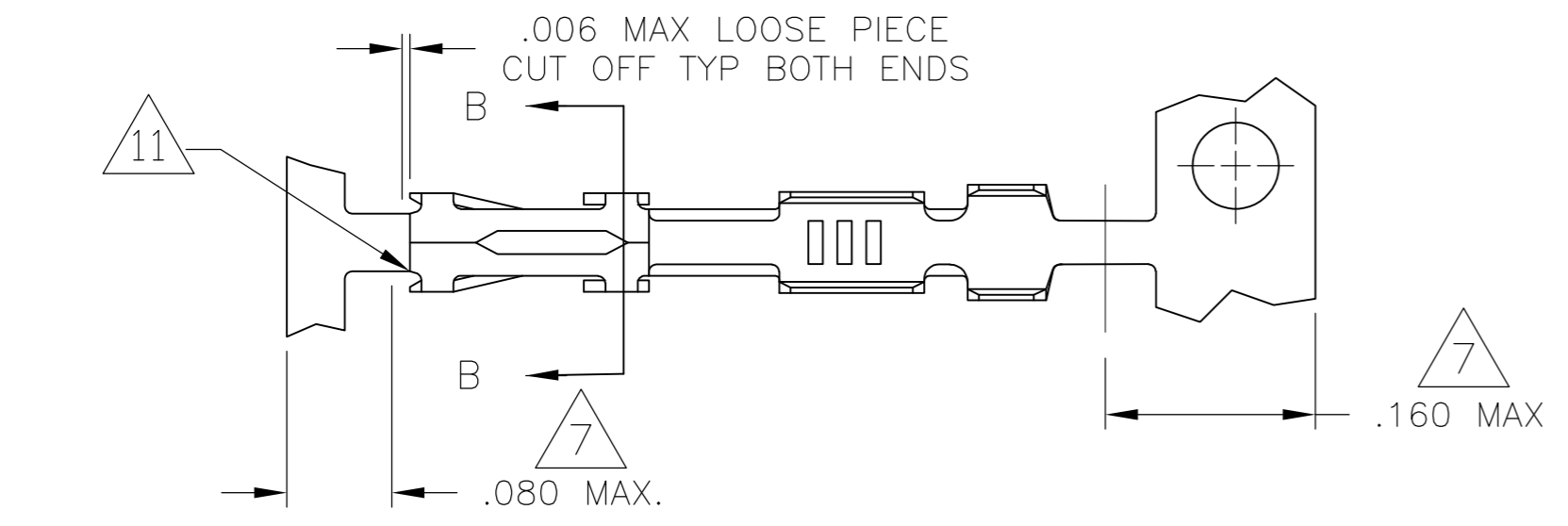


THIS DRAWING IS UNPUBLISHED. RELEASED FOR PUBLICATION  
 © COPYRIGHT - By - ALL RIGHTS RESERVED.

LOC	DIST	REVISIONS			
P	LTR	DESCRIPTION	DATE	DWN	APVD
AD	00				
	P2	REVISED PER ECO-11-004587	11MAR11	RK	HMR



- 1 REELED FOR MINI APPLICATOR
- 2 .000030 GOLD OVER .000050 NICKEL
- 3 GOLD FLASH OVER NICKEL,.000030 GOLD ON CONTACT AREA
- 4 PREPLATED:(HALT).000078-.000158 BRIGHT TIN
- 5 .000050 GOLD OVER .000050 NICKEL
- 6 GOLD FLASH OVER NICKEL,.000015 GOLD ON CONTACT AREA
- 7 GOLD PLATING NOT REQUIRED IN THIS AREA
- 8 .000050 GOLD ON CONTACT AREA,GOLD FLASH AREA L OVER.000050/.000100 NICKEL ENTIRE CONTACT
- 9 SHEARED EDGES MAY BE UNPLATED
- 10 REELED FOR STANDARD APPLICATOR
- 11 CUT OUTS ON BOX AT MANUFACTURER'S OPTION
- 12 OBSOLETE PART NUMBER
- 13 PT.OF MEAS.FOR PLATING THICKNESS(INSIDE BEAMS)
- 14 .000015 GOLD IN THE CONTACT AREA, .000050 NICKEL OVER THE ENTIRE TERMINAL
- 15 OBSOLETE PARTS: OBSOLETE CIS STREAMLINING PER D.RENAUD/D.SINISI

			12 -7	9 14	1-87666-9
9 15 OBSOLETE	1-	12 -7	87667-6	8 7	1-87666-6
	1-	12 -1	87667-5	6 7	87666-5
	1-	12 -0	87667-4	5 7	87666-4
		12 -9	87667-3	4	87666-3
		12 -8	87667-2	3 7	87666-2
		12 -7	87667-1	2 7	87666-1
	PART NO.	LOOSE PIECE PART NO.	FINISH	1	PART NO.

THIS DRAWING IS A CONTROLLED DOCUMENT.		DWN	E.C.CLAYBAUGH	8/03/98	<b>TE</b> TE Connectivity	
DIMENSIONS: INCHES		CHK	-	-		
TOLERANCES UNLESS OTHERWISE SPECIFIED:		APVD	-	-	NAME	
0 PLC ± -		PRODUCT SPEC	-	-	CONTACT, FEMALE	
1 PLC ± -		APPLICATION SPEC	-	-	MOD IV, CRIMP SNAP-IN	
2 PLC ± -		WEIGHT	-	-	SIZE	CAGE CODE
3 PLC ± .005		FINISH	SEE TABLE	-	A2	00779
4 PLC ± -		CUSTOMER DRAWING	-	-	DRAWING NO	C=87666
ANGLES ± -		SCALE	8:1	-	SHEET	1 of 1
MATERIAL: BERYLLIUM COPPER .008 THK. COML.		RESTRICTED TO	-	-	REV	P2