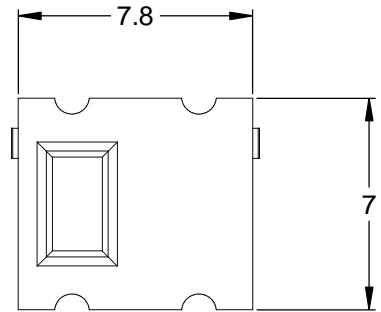
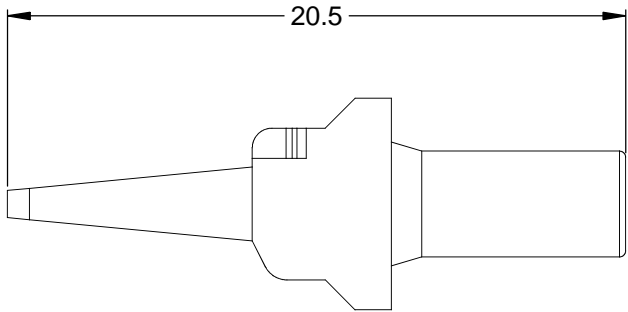
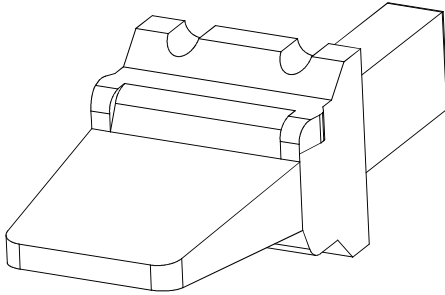
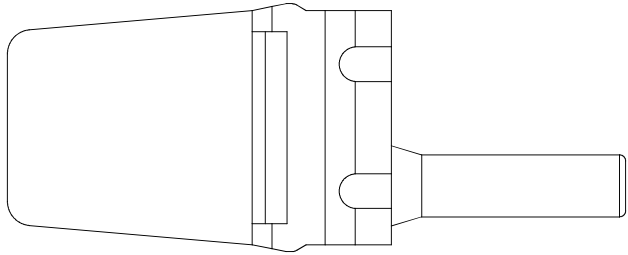


REVISIONS					
REV	ECO	DESCRIPTION	DATE	BY	APPR
A3		RELEASE NEW DWG FORMAT	07/24/13	DRP	



- NOTES: UNLESS OTHERWISE SPECIFIED
1. MATERIAL: THERMOPLASTIC; COLOR: ORANGE
 2. RoHS COMPLIANT
 3. CAVITIES: 4
 4. KEYED: N/A
 5. USE WITH CONNECTORS: ATM04-4P*
(* = MODIFICATIONS AND/OR COLORS)
 6. ALL DIMENSIONS ARE FOR REFERENCE USE ONLY.

AWM-4P				
PART NUMBER		DESCRIPTION		ITEM
QUANTITY	MATERIALS LIST			
<small>UNLESS OTHERWISE SPECIFIED</small> 1) All dimensions are in metric (mm). 2) Tolerances are as follows: 1 PL DEC ±0.30 2 PL DEC ±0.15 3 PL DEC ±0.08 Fractions ±1/64 Angles ±1° 3) Note reference =	SIGNATURES	DATE	SINE Systems Corporation <hr/> A Subsidiary of Amphenol Corporation 44724 Morley Drive Clinton Township, MI 48036 P-WEDGELOCK, 4 POSITION, ATM SERIES	
	DRAWN: D.PARKS	07/24/13		
CHECKED:				
ENGINEER:				
MATERIAL SPECIFICATIONS:	APPROVAL:			
PROCESS SPECIFICATIONS:	CUSTOMER:			
NEXT ASSY:	THIS DRAWING IS SUPPLIED FOR INFORMATION ONLY. DESIGN FEATURES, SPECIFICATIONS AND PERFORMANCE DATA SHOWN HEREON ARE THE PROPERTY OF THE AMPHENOL CORPORATION. NO RIGHTS OF REPRODUCTION ARE IMPLIED. ALL DIMENSIONS ARE SUBJECT TO NORMAL MANUFACTURING VARIATIONS.		SIZE: A SCALE: NONE	FSCM NO.: — DWG NO.: C- AWM-4P SHEET 1 OF 1
			REVISION: A3	