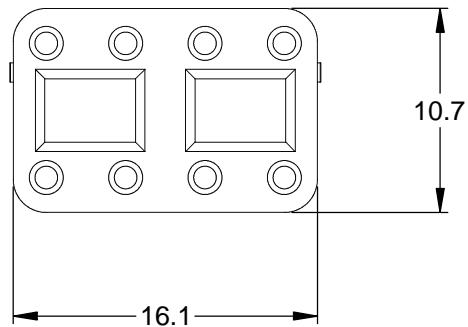
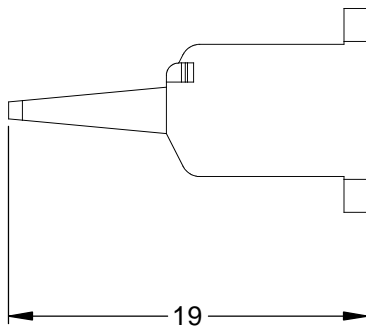
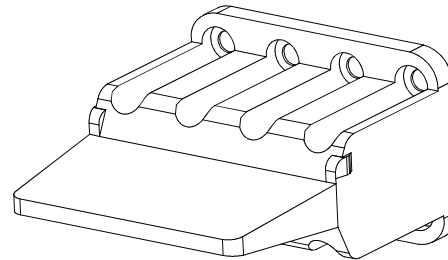
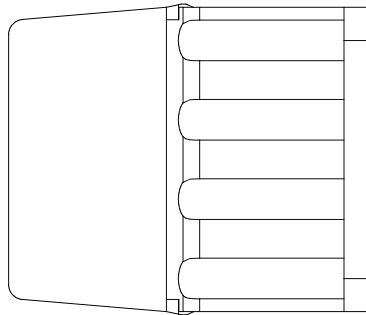


REVISIONS					
REV	ECO	DESCRIPTION	DATE	BY	APPR
A3		RELEASE NEW DWG FORMAT	07/24/13	DRP	



NOTES: UNLESS OTHERWISE SPECIFIED

1. MATERIAL: THERMOPLASTIC; COLOR: ORANGE
2. RoHS COMPLIANT
3. CAVITIES: 8
4. KEYED: N/A
5. USE WITH CONNECTORS: ATM06-08S*
(* = MODIFICATIONS AND/OR COLORS)
6. ALL DIMENSIONS ARE FOR REFERENCE USE ONLY.

AWM-8S		DESCRIPTION		ITEM				
QUANTITY	MATERIALS LIST							
<p>UNLESS OTHERWISE SPECIFIED</p> <p>1) All dimensions are in metric(mm).</p> <p>2) Tolerances are as follows:</p> <table border="0"> <tr> <td>1 PL DEC ±0.30</td> <td rowspan="3">Fractions ±1/64</td> </tr> <tr> <td>2 PL DEC ±0.15</td> </tr> <tr> <td>3 PL DEC ±0.08</td> </tr> </table> <p>Angles ±1°</p> <p>3) Note reference = </p>		1 PL DEC ±0.30	Fractions ±1/64	2 PL DEC ±0.15	3 PL DEC ±0.08	<p>SIGNATURES</p> <p>DATE</p> <p>DRAWN: D.PARKS 07/24/13</p> <p>CHECKED:</p> <p>ENGINEER:</p> <p>APPROVAL:</p> <p>CUSTOMER:</p>		<p>SINE Systems Corporation</p> <p>A Subsidiary of Amphenol Corporation</p> <p>44724 Morley Drive</p> <p>Clinton Township, MI 48036</p>
1 PL DEC ±0.30	Fractions ±1/64							
2 PL DEC ±0.15								
3 PL DEC ±0.08								
<p>MATERIAL SPECIFICATIONS:</p> <p>PROCESS SPECIFICATIONS:</p> <p>NEXT ASSY:</p>		<p>THIS DRAWING IS SUPPLIED FOR INFORMATION ONLY. DESIGN FEATURES, SPECIFICATIONS AND PERFORMANCE DATA SHOWN HEREON ARE THE PROPERTY OF THE AMPHENOL CORPORATION. NO RIGHTS OF REPRODUCTION ARE IMPLIED. ALL DIMENSIONS ARE SUBJECT TO NORMAL MANUFACTURING VARIATIONS.</p>						
		<p>SIZE: A</p> <p>SCALE: NONE</p>	<p>FSCM NO.:</p> <p>DWG NO: C- AWM-8S</p>	<p>REVISION: A3</p> <p>SHEET 1 OF 1</p>				