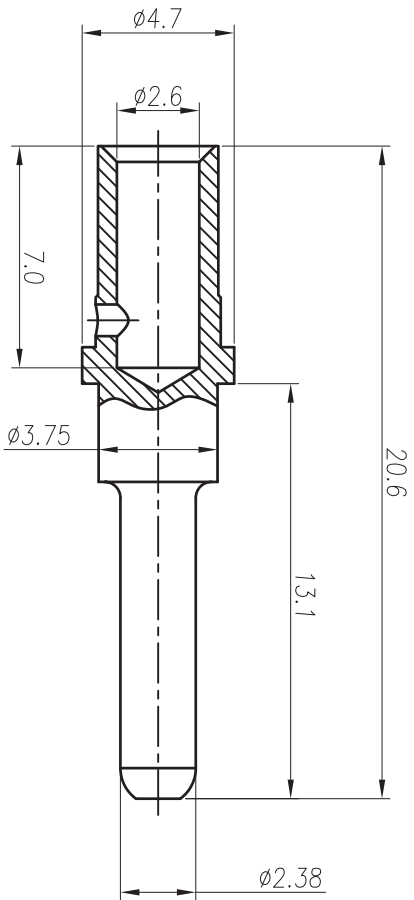


安费诺精密连接器(深圳)有限公司  
Amphenol PCD Shenzhen  
**受控文件**  
2012年 06月 01日



- 注 (NOTES):
1. 材料 Material.  
铜合金 copper alloy
  2. 表面处理Plating  
镀镍 Plating is nickel.
  3. 性能参数 Specification:  
3.1 额定电流Rating current: 23A  
3.2 接触电阻Contact resistance: 5mΩ  
3.3 可互配的线缆范围Available wire range: 12~14AWG

REV ZONE		ECO		DESCRIPTION		RELEASE NUMBER		DATE	BY	APPR
A1	--	--	--					02/07/12	--	--

ITEM	PART NUMBER	Qty	DESCRIPTION	REMARK
<b>MATERIALS LIST</b>				
			MATERIAL SPECIFICATIONS:	<b>SINE Systems Corporation</b> A Subsidiary of Amphenol Corporation  PIN CONTACT 12# ,NICKLE
			PROCESS SPECIFICATIONS:	
			UNLESS OTHERWISE SPECIFIED 1) All dimensions are in metric(mm). 2) Tolerances are as follows: 1 Pl DEC +0.30 Fractions ±1/64 2 Pl DEC +0.15 Angles ±1° 3 Pl DEC +0.08	

制图DRAWN	ORION LI	日期 DATE	02/07/12	THIS DRAWING IS SUPPLIED FOR INFORMATION ONLY. DESIGN FEATURES, SPECIFICATIONS AND PERFORMANCE DATA SHOWN HEREON ARE THE PROPERTY OF THE AMPHENOL CORPORATION. NO RIGHTS OR PERMISSIONS ARE IMPLIED. ALL DIMENSIONS ARE SUBJECT TO NORMAL MANUFACTURING VARIATIONS.
审核CHECKED	FIRM XING		02/10/12	
工艺ENGINEER				
批准APPROVAL	<i>Linda</i>		-20120623- 1170152 40600	
客户CUSTOMER				

DWG NO:	AT60-204-12141			
第三角投影 THIRD ANGLE PROJECTION	文件编号 FSOM NO.	幅面 SIZE	质量 MASS	版次 REV.
		A3		A1
SHEET	1 OF	1	比例 SCALE	XX
NEXT ASSY:				