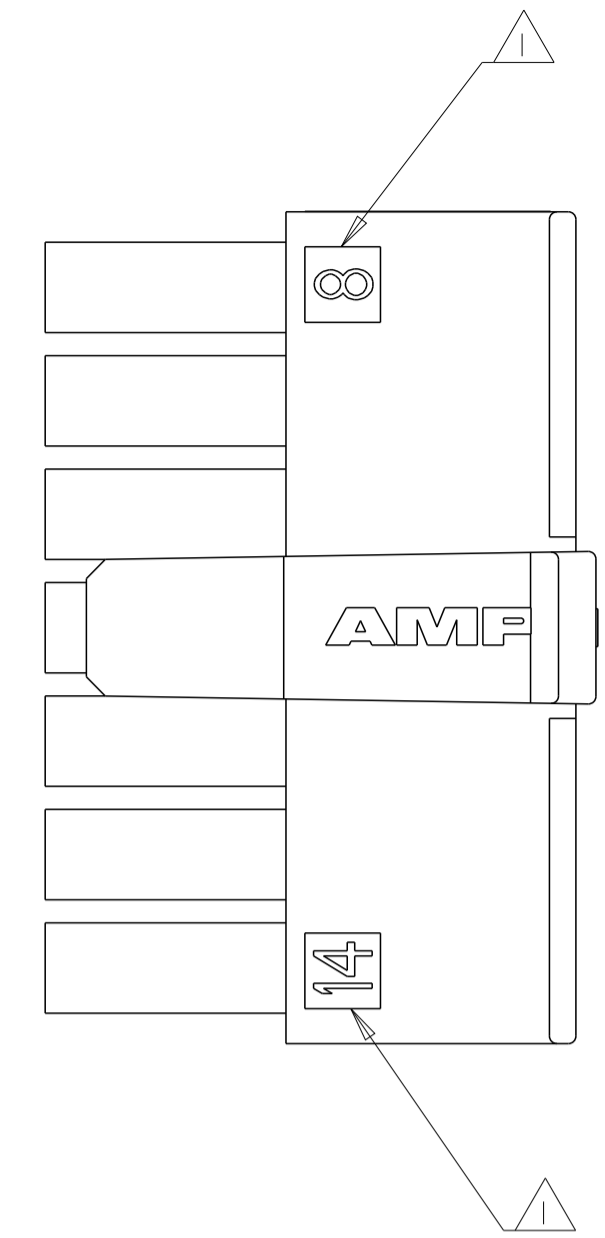
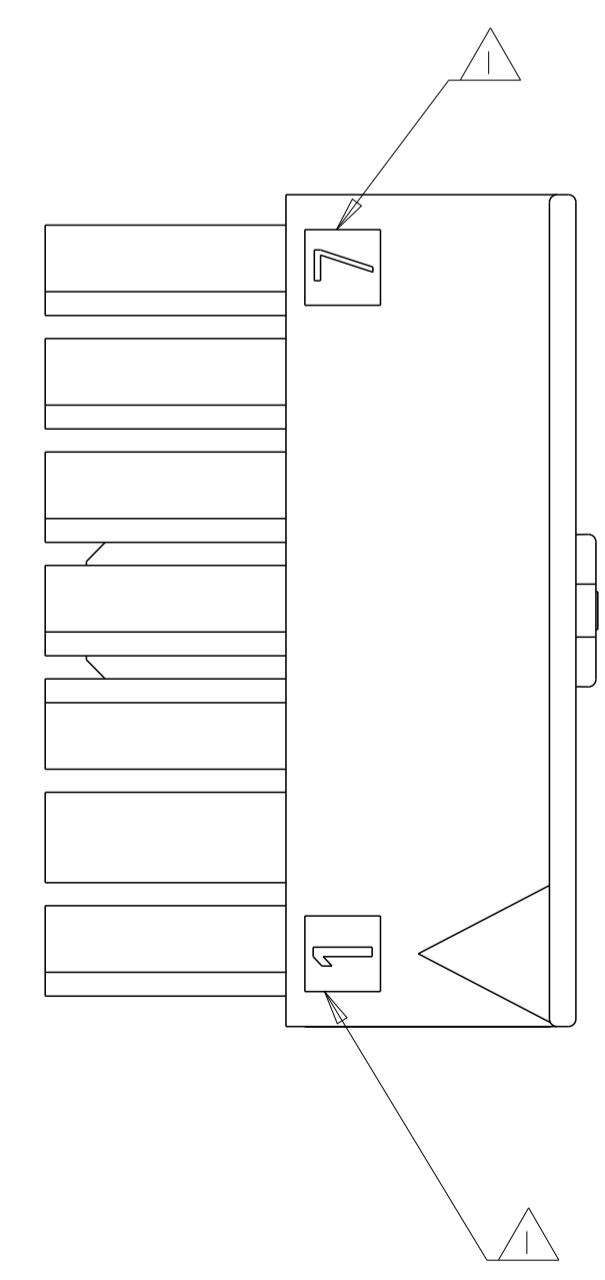
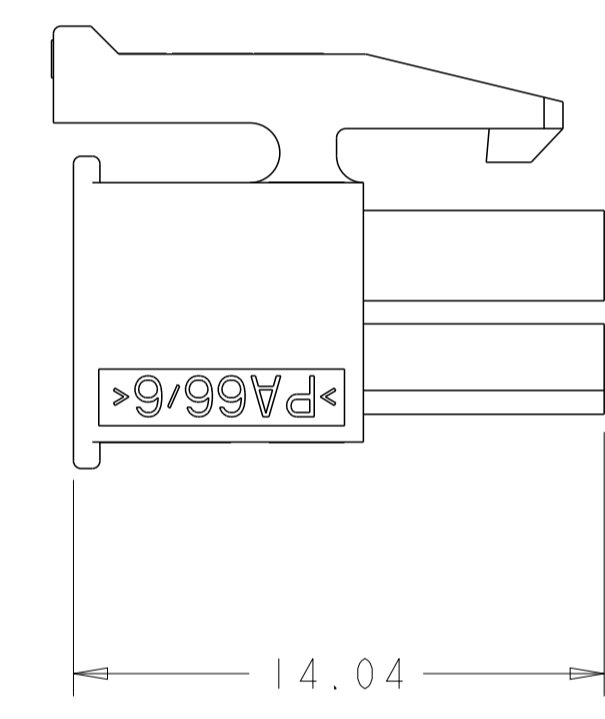
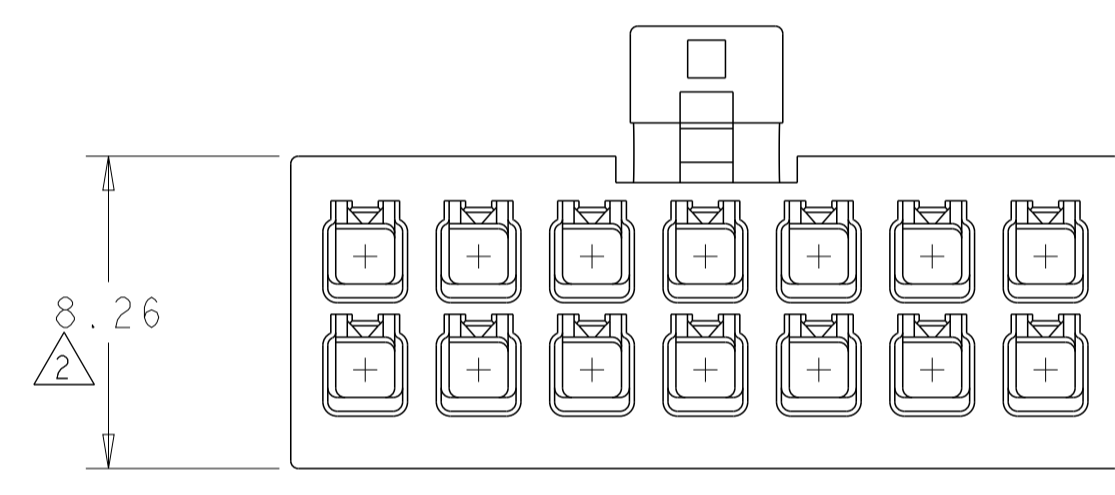
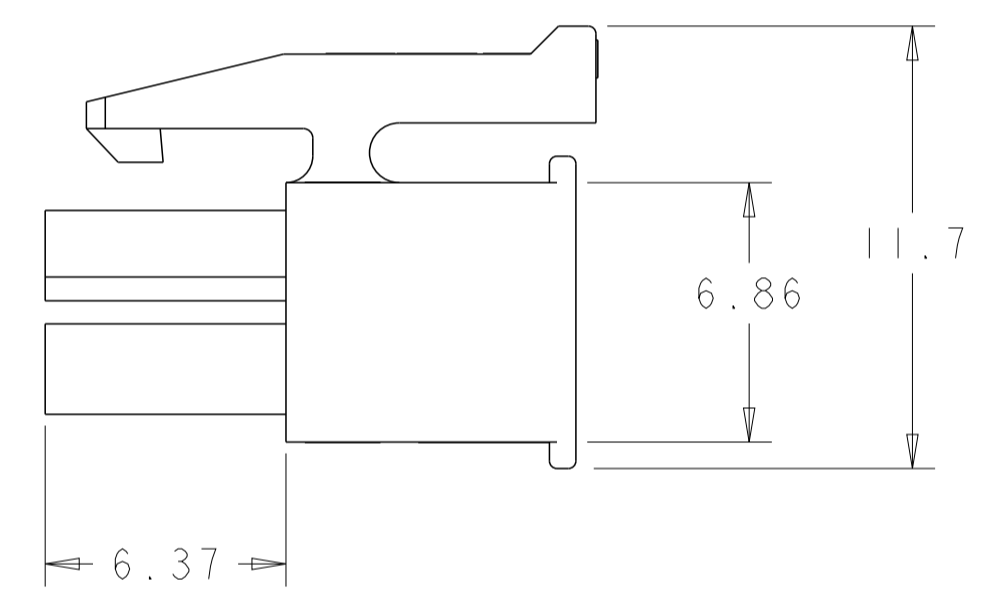
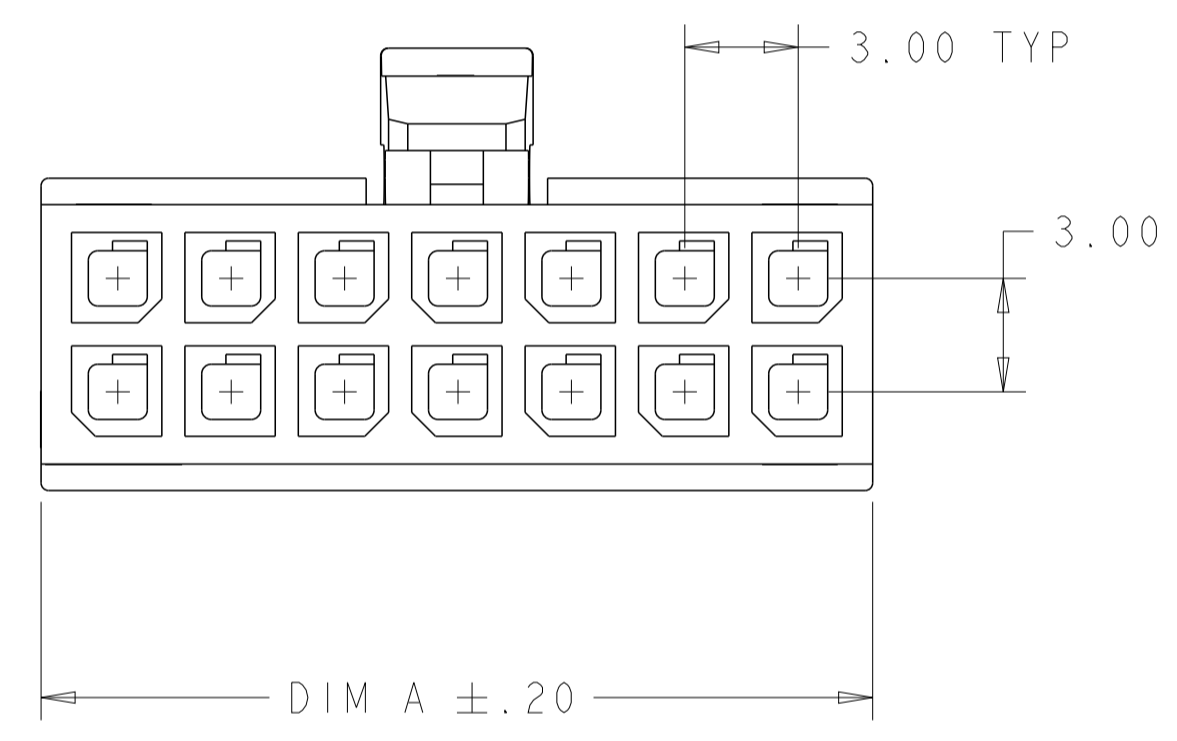


| LOC |     | DIST                      |           | REVISIONS |      |  |  |
|-----|-----|---------------------------|-----------|-----------|------|--|--|
| P   | LTN | DESCRIPTION               | DATE      | DWN       | APVD |  |  |
| E3  |     | REVISED PER ECR-12-015771 | 11SEP2012 | KH        | TM   |  |  |
|     |     |                           |           |           |      |  |  |
|     |     |                           |           |           |      |  |  |



△ CIRCUIT IDENTIFIER, LOCATED APPROXIMATELY AS SHOWN.  
 △ DIMENSION ONLY 7.56 ON 2 POSITION.



| DIM A | NO. OF POS. | PART NUMBER |
|-------|-------------|-------------|
| 37.00 | 24          | 2-794617-4  |
| 34.00 | 22          | 2-794617-2  |
| 31.00 | 20          | 2-794617-0  |
| 28.00 | 18          | 1-794617-8  |
| 25.00 | 16          | 1-794617-6  |
| 22.00 | 14          | 1-794617-4  |
| 19.00 | 12          | 1-794617-2  |
| 16.00 | 10          | 1-794617-0  |
| 13.00 | 8           | 794617-8    |
| 10.00 | 6           | 794617-6    |
| 7.00  | 4           | 794617-4    |
| 4.00  | 2           | 794617-2    |

THIS DRAWING IS A CONTROLLED DOCUMENT.

DWN: K. WHITAKER 4-OCT-1999  
 CHK: K. COBLE 14-OCT-1999  
 APVD: K. COBLE 14-OCT-1999

**STE** TE Connectivity

NAME: RECEPTACLE HOUSING, 2 TO 24 POSITION, DUAL ROW, MICRO MATE-N-LOK™

PRODUCT SPEC: APPLICATION SPEC

SIZE: A1 CAGE CODE: 00779 DRAWING NO: 794617 RESTRICTED TO: -

MATERIAL: NYLON, UL94V-0 BLACK FINISH: - WEIGHT: -

CUSTOMER DRAWING SCALE: 5:1 SHEET: 1 OF 1 REV: E3