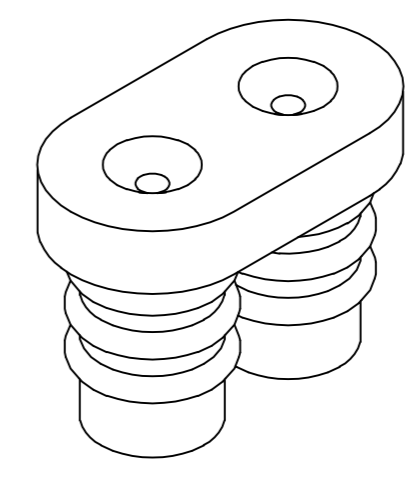
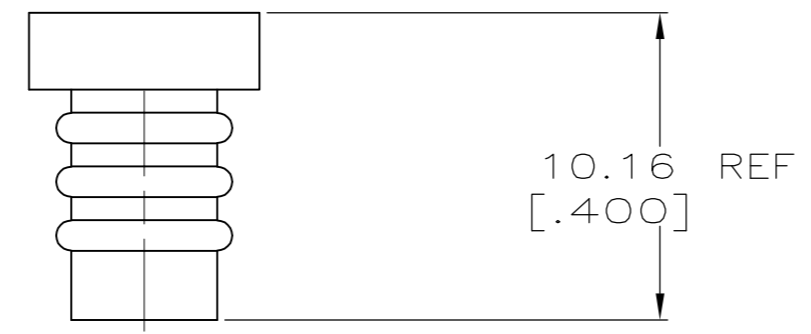
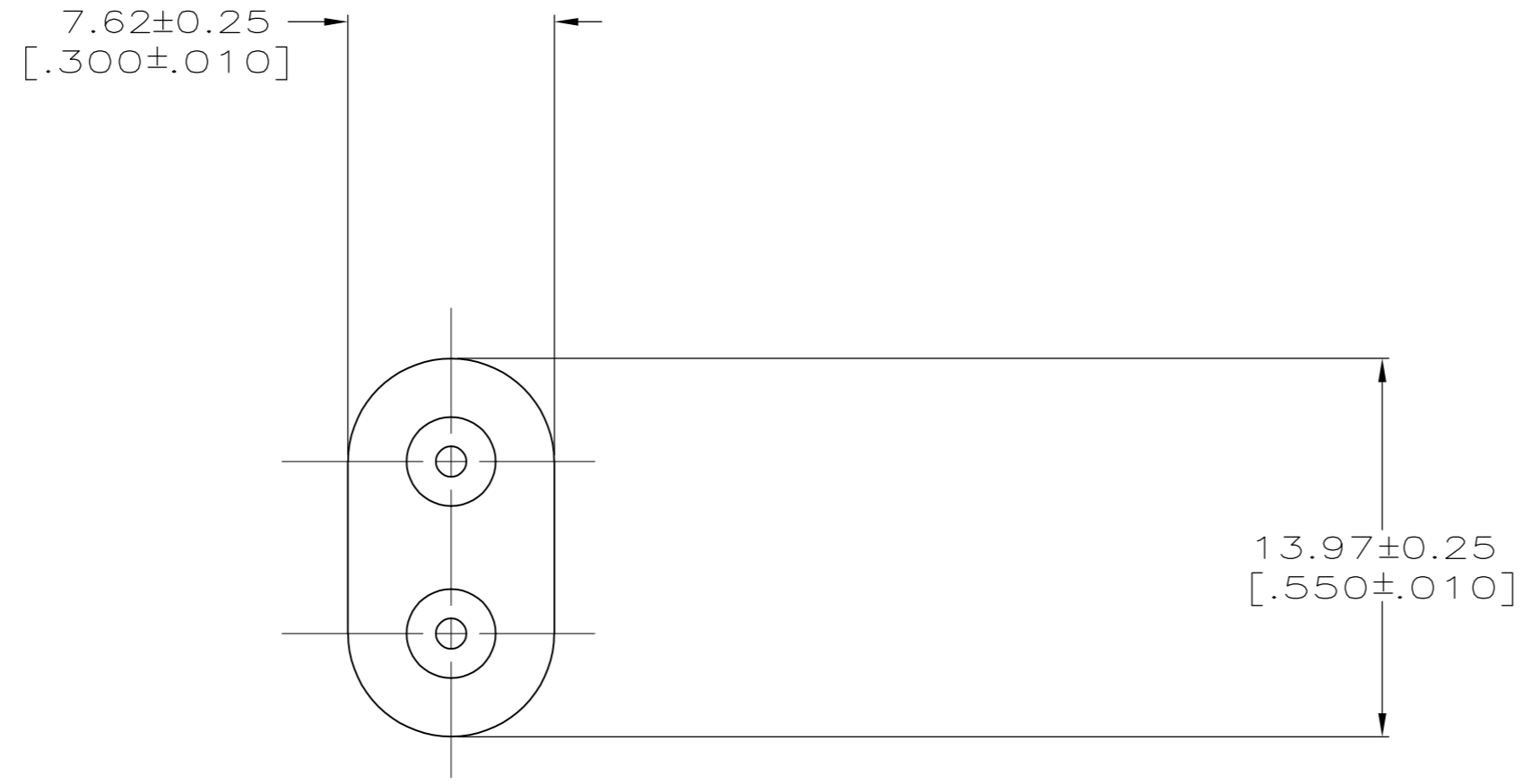


THIS DRAWING IS UNPUBLISHED. RELEASED FOR PUBLICATION
 © COPYRIGHT - By - ALL RIGHTS RESERVED.

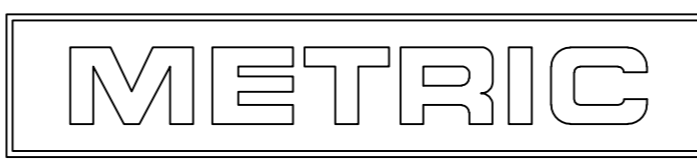
| LOC | DIST | REVISIONS | | | | | |
|-----|------|-----------|-----|---------------------------|---------|-----|------|
| | | P | LTR | DESCRIPTION | DATE | DWN | APVD |
| CM | 53 | A1 | | REVISED PER ECO-11-004917 | 11MAR11 | RK | HMR |

- 1. MATERIAL: SELF LUBRICATING SILICON RUBBER
COLOR: BLUE
- 2. DIMENSIONS IN BRACKETS ARE IN INCHES.



3-DIMENSIONAL MODEL NTS

794270-1
PART NUMBER



| | | | | | | | | | |
|--|--|------------------|----------|---------|-----|---|-----------|------------|---------------|
| THIS DRAWING IS A CONTROLLED DOCUMENT. | | DWN | B. LEWIS | 3-25-97 | | TE Connectivity | | | |
| DIMENSIONS: INCHES | | CHK | R. SWING | 3-25-97 | | NAME | | | |
| | | APVD | D. SELF | 3-25-97 | | WIRE SEAL, 2 CIRCUIT, UNIVERSAL MATE-N-LOK™ | | | |
| TOLERANCES UNLESS OTHERWISE SPECIFIED: 0 PLC ± - 1 PLC ± - 2 PLC ± - 3 PLC ± 0.13 [.005] 4 PLC ± - ANGLES ± 0° 30' | | PRODUCT SPEC | | | | SIZE | CAGE CODE | DRAWING NO | RESTRICTED TO |
| MATERIAL | | WEIGHT | - | | A2 | 00779 | C=794270 | - | |
| | | CUSTOMER DRAWING | | SCALE | 4:1 | SHEET | 1 of 1 | REV | A1 |

794270