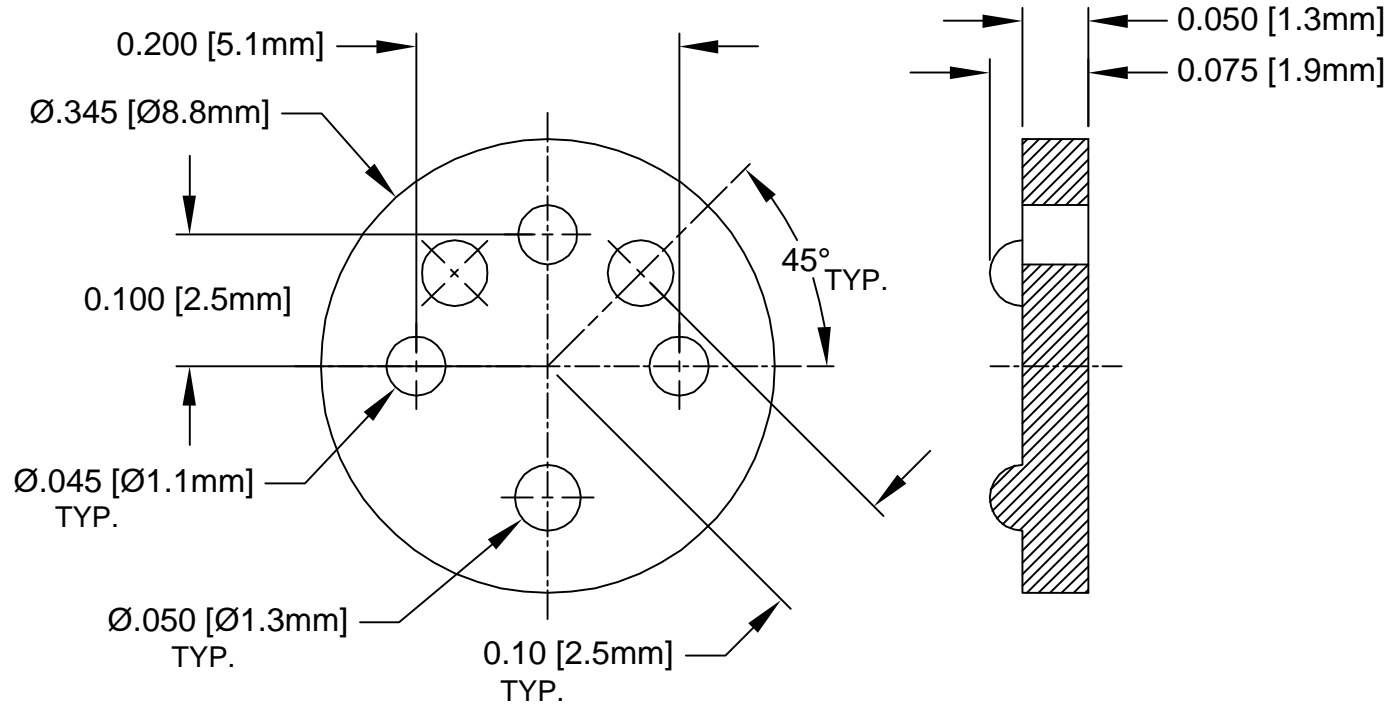

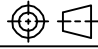


REV.	DESCRIPTION	DATE	APPROVED
B	Engineering Update w/o Changes	02/23/04	M. C.



2. MATERIAL: NYLON 6/6, 94V-2, NATURAL. BIVAR MATERIAL CODE 03-NL.  
 BASF ULTRAMID NYLON 6/6 A3K NATURAL.
1. GENERAL SPECIFICATIONS: BIVAR MOLDED COMPONENT SPECIFICATION BV00-E101.

STANDARD TOLERANCE (UNLESS OTHERWISE SPECIFIED)		 4 THOMAS, IRVINE, CA. 92618 TEL: (949) 951-8808 FAX: (949) 951-3974	
DECIMALS	ANGULAR	<b>TITLE:</b> PERM-O-PAD TO-5 MOUNT <b>PART NO:</b> 501-075 <b>REVISION:</b> B	
.X ± .1	X° ± 1°		
.XX ± .01			
.XXX ± .005		<b>DESIGNED:</b> Shane Irving <b>DATE:</b> 11/05/98	<b>CAGE CODE :</b> 32559 <b>SHEET #</b> 1 OF 1
		<b>CHECKED:</b> M. Chen <b>DATE:</b> 09/23/03	<b>DATE:</b> 09/23/03 CAD GENERATED DOCUMENT. DO NOT MEASURE DRAWING.