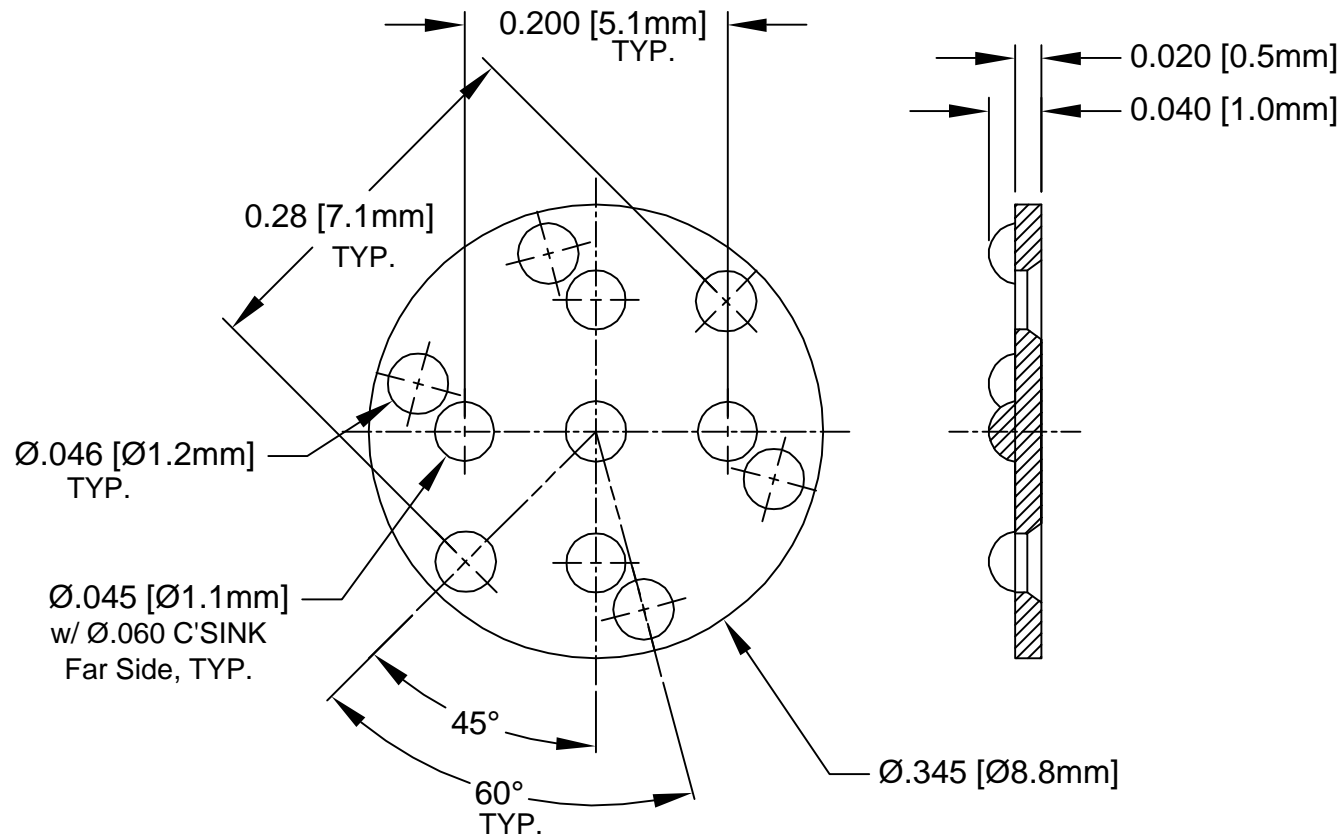



REV.	DESCRIPTION	DATE	APPROVED
A	Engineering Update w/o Changes	02/23/04	M. C.
B	Material update to 03-NL	10/29/07	M. C.



- MATERIAL: NYLON 6/6, 94V-2, NATURAL. BIVAR MATERIAL CODE 03-NL.
BASF ULTRAMID NYLON 6/6 A3K NATURAL.
- GENERAL SPECIFICATIONS: BIVAR MOLDED COMPONENT SPECIFICATION BV00-E101.

STANDARD TOLERANCE (UNLESS OTHERWISE SPECIFIED)		 4 THOMAS, IRVINE, CA. 92618 TEL: (949) 951-8808 FAX: (949) 951-3974	
DECIMALS	ANGULAR	TITLE: PERM-O-PAD TO-5 MOUNT PART NO: 511-038 REVISION: B	
.X $\pm .1$	$X^\circ \pm 1^\circ$		
.XX $\pm .01$			
.XXX $\pm .005$		CAGE CODE : 32559 SHEET # 1 OF 1 CAD GENERATED DOCUMENT, DO NOT MEASURE DRAWING.	
DESIGNED: Shane Irving	DATE: 09/23/98		
CHECKED: D. Green	DATE: 02/23/04		