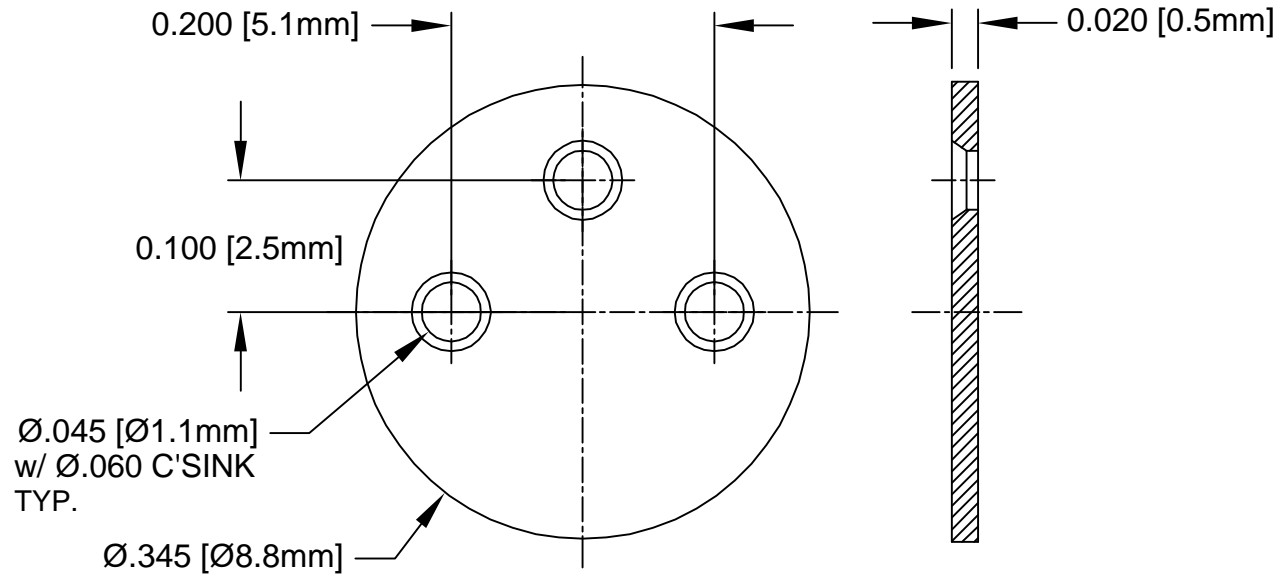



REV.	DESCRIPTION	DATE	APPROVED
B	Engineering Update w/o Changes	02/23/04	M. C.



2. MATERIAL: NYLON 6/6, 94V-2, WHITE. BIVAR MATERIAL CODE 04-WE.  
 BASF ULTRAMID NYLON 6/6 A3K WHITE.
1. GENERAL SPECIFICATIONS: BIVAR MOLDED COMPONENT SPECIFICATION BV00-E101.

STANDARD TOLERANCE (UNLESS OTHERWISE SPECIFIED)		 4 THOMAS, IRVINE, CA. 92618 TEL: (949) 951-8808 FAX: (949) 951-3974	
DECIMALS	ANGULAR	TITLE:	
.X ± .1	X° ± 1°	PERM-O-PAD TO-5 MOUNT	
.XX ± .01		DESIGNED:	DATE:
.XXX ± .005		Shane Irving	09/15/98
		CHECKED:	DATE:
		M. Chen	02/07/03
		PART NO:	REVISION:
		520-021	B
		CAGE CODE : 32559	SHEET # 1 OF 1
		CAD GENERATED DOCUMENT, DO NOT MEASURE DRAWING.	