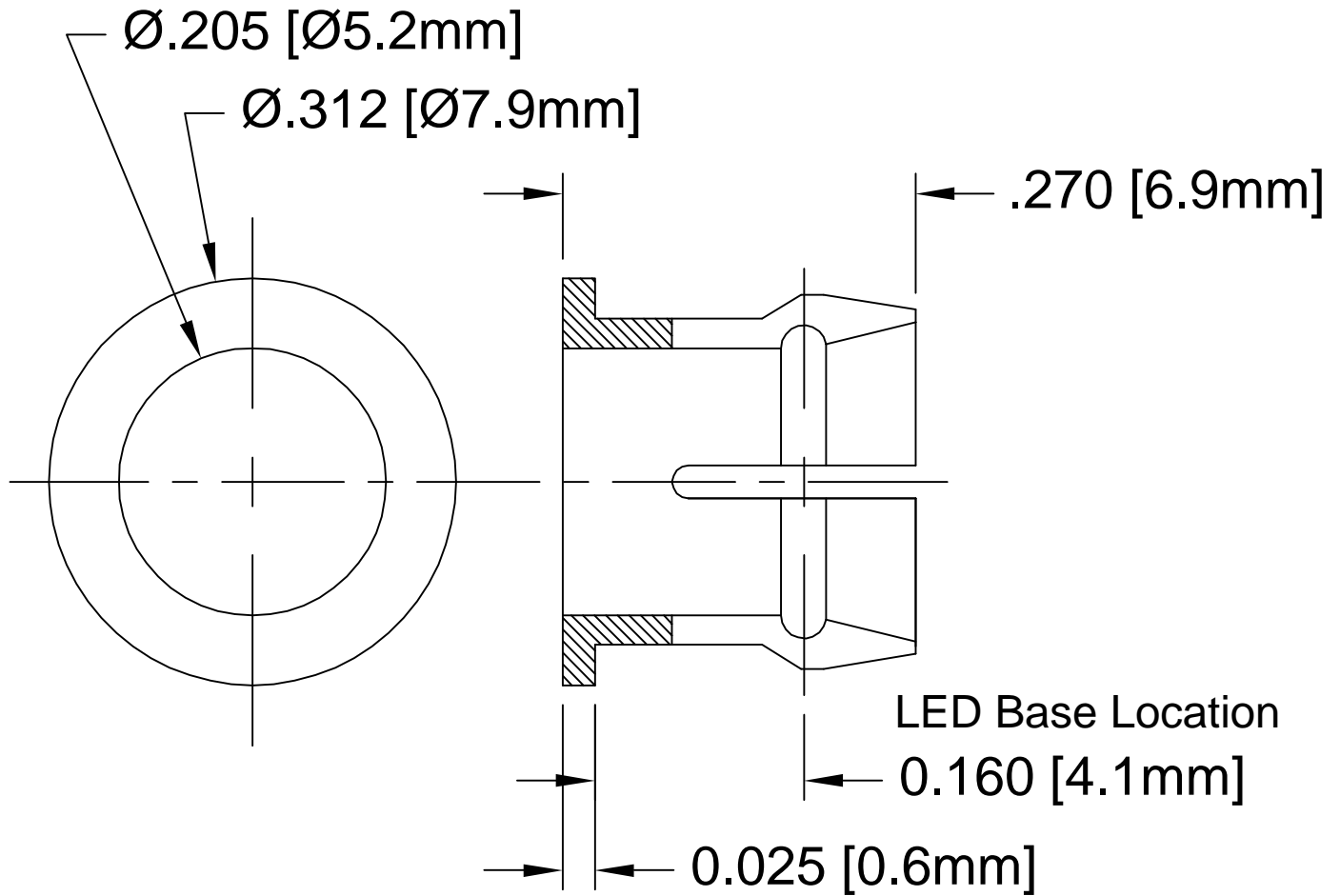


REV.	DESCRIPTION	DATE	APPROVED
A	Engineering Release	02/09/05	M. C.
B	Corrected Part Number	11/02/06	M. C.
C	Overall Length Change to 0.270"	11/29/07	M. C.



2. MATERIAL: POLYPROPYLENE, 94V-0, BLACK. BIVAR MATERIAL CODE 54-BK.

1. GENERAL SPECIFICATIONS: BIVAR MOLDED COMPONENT SPECIFICATION BV00-E101.

STANDARD TOLERANCE (UNLESS OTHERWISE SPECIFIED)		<b>BIVAR</b> <sup>®</sup>	
DECIMALS	ANGULAR	4 THOMAS, IRVINE, CA. 92618	
.X ±.1	X° ±1°	TEL: (949) 951-8808 FAX: (949) 951-3974	
.XX ±.01		<b>TITLE:</b> CLIP FOR SMALL FLANGE	
.XXX ±.005		T-1¼ (5mm) LED HOLDER	
DESIGNED: <b>David Green</b>	DATE: <b>02/09/05</b>	<b>PART NO:</b> C-175	REVISION: <b>C</b>
CHECKED: <b>T. Yin</b>	DATE: <b>02/09/05</b>	<b>CAGE CODE :</b> 32559	<b>SHEET #</b> 1 OF 1
CAD GENERATED DOCUMENT, DO NOT MEASURE DRAWING.			