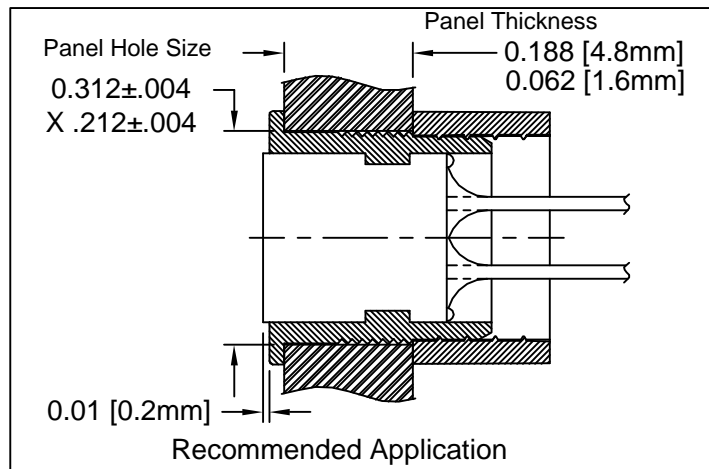
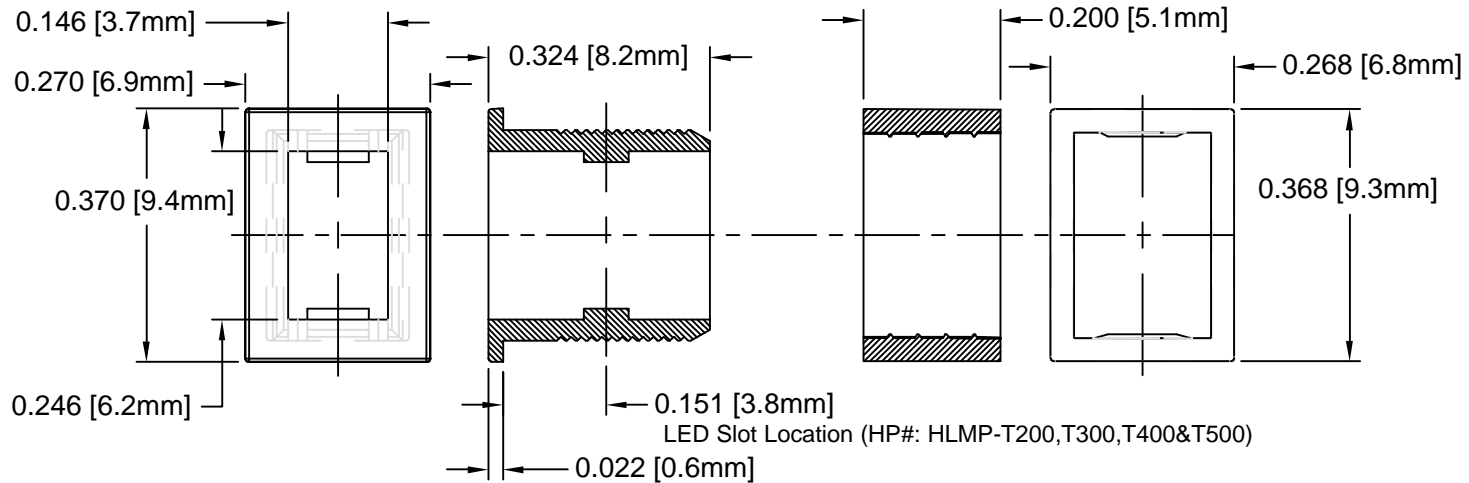


ITEM	Q'TY	PART NUMBER	PART DESCRIPTION
1	1	C-300	RWXD RECTANGULAR LED CLIP
2	1	R-300	RWXD RECTANGULAR LED RING

REV.	DESCRIPTION	DATE	APPROVED
C	Engineering Update w/o Changes	02/26/04	M. C.



2. MATERIAL: POLYPROPYLENE, 94V-0, BLACK. BIVAR MATERIAL CODE 54-BK.
1. GENERAL SPECIFICATIONS: BIVAR MOLDED COMPONENT SPECIFICATION BV00-E101.

STANDARD TOLERANCE (UNLESS OTHERWISE SPECIFIED)		BIVAR [®]	
DECIMALS	ANGULAR	4 THOMAS, IRVINE, CA. 92618	
.X ± .1	X° ± 1°	TEL: (949) 951-8808 FAX: (949) 951-3974	
.XX ± .01		TITLE: CLIP & RING SET FOR	
.XXX ± .005		RWXD RECTANGULAR LED	
DESIGNED: David Green	DATE: 11/13/02	PART NO: CR-300	REVISION: C
CHECKED: M. Chen	DATE: 11/13/02	CAGE CODE : 32559	SHEET # 1 OF 1
CAD GENERATED DOCUMENT. DO NOT MEASURE DRAWING.			