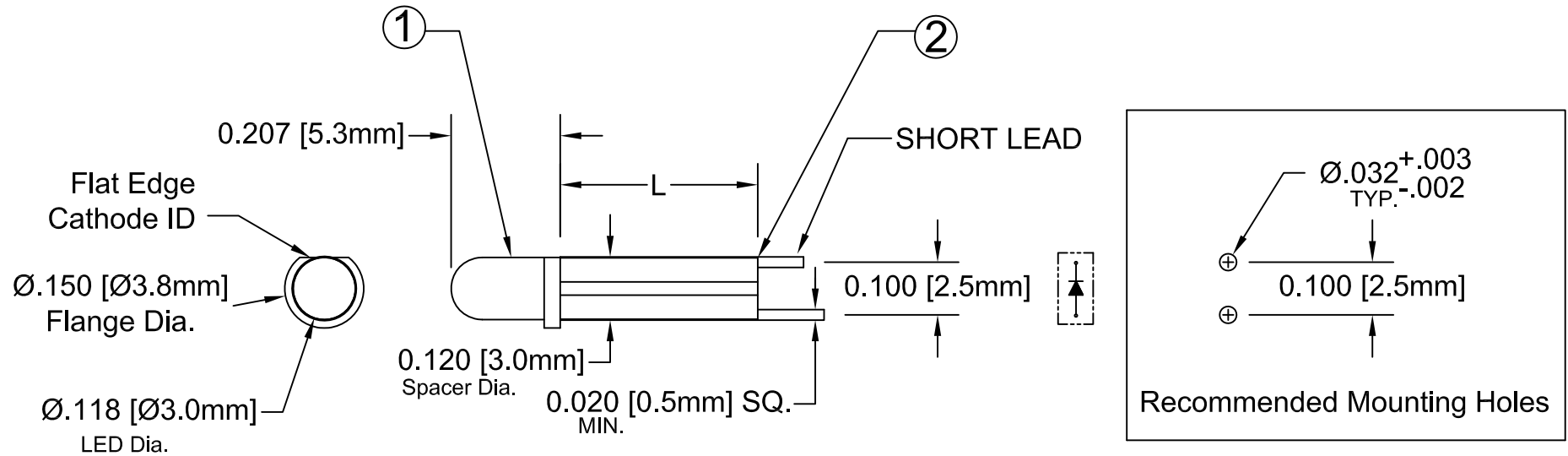



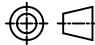
ITEM	Q'TY	PART NUMBER	PART DESCRIPTION
1	1	3XX-F	T-1 (3mm) Flanged LED, See Page 2
2	1	ELM7XXX	Extruded, Self-Retaining LED Spacer

REV.	DESCRIPTION	DATE	APPROVED
A	Engineering Release	12/23/04	M. C.
B	Changed "L" Dimension	04/05/06	M. C.
C	Update LED, EMN-ELMXXXX3XX	08/22/06	M. C.
D	Removed Tolerance Note.	09/03/08	M. C.
E	Added Tape & Reel Options.	06/07/11	T. Y.
F	Tape & Reel Design Update.	11/21/11	T. Y.




### ABSOLUTE MAXIMUM RATINGS (Ta=25° C)

REVERSE VOLTAGE	_____	5V
REVERSE CURRENT	_____	100uA
OPERATING TEMPERATURE RANGE	_____	-40° C - 85° C
STORAGE TEMPERATURE	_____	-40° C - 100° C
LEAD SOLDERING TEMPERATURE(1/16" FROM BODY)	_____	260° C FOR 5 SECONDS

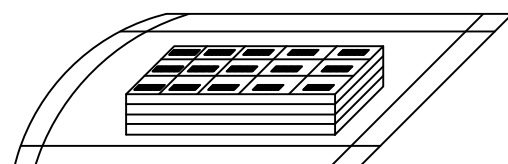
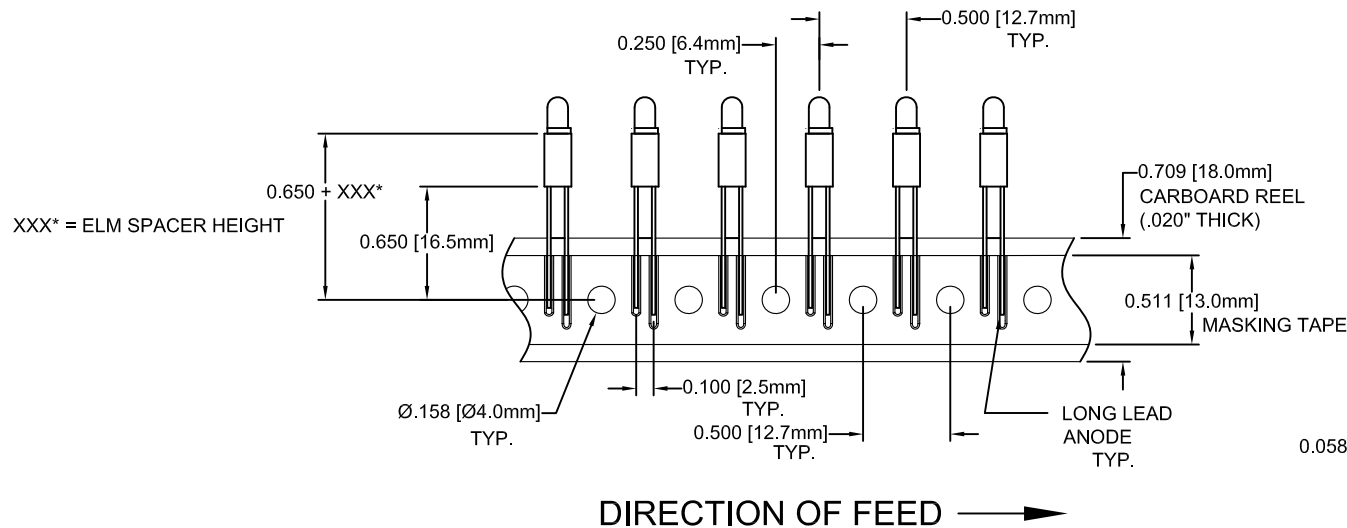
STANDARD TOLERANCE ( UNLESS OTHERWISE SPECIFIED )		 <b>BIVAR</b> <sup>®</sup> 4 THOMAS, IRVINE, CA. 92618 TEL: (949) 951-8808 FAX: (949) 951-3974	
DECIMALS	ANGULAR		
.X ± .1	X° ± 1°		<b>TITLE:</b> EXTRUDED VERTICAL T-1 (3mm) LED STANDARD PROFILE SPACER ASSY
.XX ± .02			
.XXX ± .010			
DESIGNED: <b>David Green</b>	DATE: <b>12/23/04</b>	<b>PART NO:</b> ELM7XXX3XX	REVISION: <b>F</b>
CHECKED: <b>T. Yin</b>	DATE: <b>12/23/04</b>	<b>CAGE CODE :</b> 32559	<b>SHEET #</b> 1 <b>OF</b> 3
CAD GENERATED DOCUMENT, DO NOT MEASURE DRAWING.			

REV.	DESCRIPTION	DATE	APPROVED
	SEE SHEET#1.		

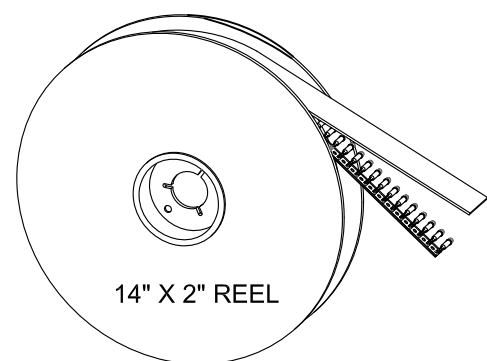
LED Assy. No.	Peak Wave Length $\lambda_p$ (nm)	Emitted Color	Lens Appearance	Electro-Optical Data				Viewing Angle $2\theta \frac{1}{2}$ (Deg)	LED P/N
				If (mA)	Vf (V)		Iv (mcd)		
				TYP	TYP	MAX	TYP		
<b>STANDARD</b>				<b>Data @ 20mA</b>					
ELM7XXX3BWD	430	BLUE	DIFFUSED	20	4.0	4.5	20.0	45	3BWD-F
ELM7XXX3GD	565	GREEN	DIFFUSED	20	2.2	2.6	30.0	45	3GD-F
ELM7XXX3YD	585	YELLOW	DIFFUSED	20	2.1	2.6	20.0	45	3YD-F
ELM7XXX3HD	635	HE RED	DIFFUSED	20	2.0	2.6	30.0	45	3HD-F
ELM7XXX3RD	655	RED	DIFFUSED	20	1.7	2.0	6.0	45	3RD-F
ELM7XXX3SRD	660	SUPER RED	DIFFUSED	20	1.7	2.6	90.0	45	3SRD-F
<b>LOW CURRENT</b>				<b>Data @ 2mA</b>					
ELM7XXX3GDL	565	GREEN	DIFFUSED	5	1.9	2.2	6.0	45	3GDL-F
ELM7XXX3YDL	585	YELLOW	DIFFUSED	5	1.9	2.2	4.0	45	3YDL-F
ELM7XXX3HDL	635	HE RED	DIFFUSED	5	1.8	2.2	6.0	45	3HDL-F
<b>5 VOLT</b>				<b>Data @ 5V</b>					
ELM7XXX3GD5V	565	GREEN	DIFFUSED	8	-	5.0	30.0	45	3GD5V-F
ELM7XXX3YD5V	585	YELLOW	DIFFUSED	8	-	5.0	20.0	45	3YD5V-F
ELM7XXX3HD5V	635	HE RED	DIFFUSED	8	-	5.0	30.0	45	3HD5V-F

STANDARD TOLERANCE (UNLESS OTHERWISE SPECIFIED) $\pm 10\%$ ALL VALUES		ANGULAR $X^\circ \pm 5^\circ$		 <b>BIVAR</b> <sup>®</sup> 4 THOMAS, IRVINE, CA. 92618 TEL: (949) 951-8808 FAX: (949) 951-3974	
DESIGNED: <b>David Green</b>		DATE: <b>12/23/04</b>			
CHECKED: <b>T. Yin</b>		DATE: <b>12/23/04</b>		PART NO: <b>ELM7XXX3XX</b>	
				REVISION: <b>F</b>	
				CAGE CODE : <b>32559</b> SHEET # <b>2 OF 3</b>	
CAD GENERATED DOCUMENT, DO NOT MEASURE DRAWING.					

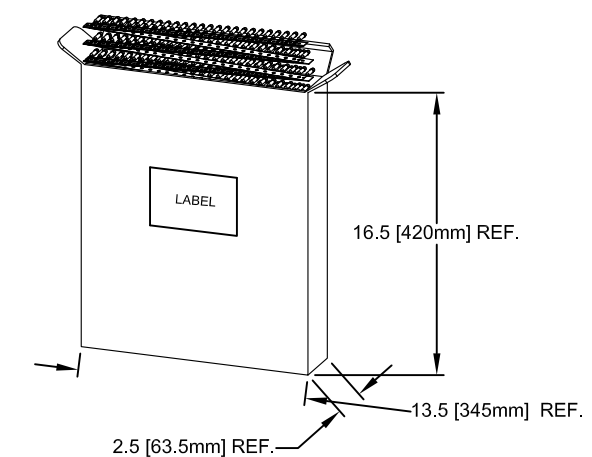
REV.	DESCRIPTION	DATE	APPROVED
	SEE SHEET #1		



STANDARD PACKAGING TRAY



TAPE & REEL  
1,000 pcs / reel



AMMO PACK  
2,000 pcs / box

- NOTE:
1. STANDARD PART NUMBERS ARE PACKAGED IN LOOSE PIECES USING PACKAGING TRAYS
  2. ADD "T" SUFFIX TO PART NUMBER FOR TAPE AND REEL PACKAGING OPTION (1,000 PCS/REEL)
  3. ADD "A" SUFFIX TO PART NUMBER FOR AMMO PACK OPTION (2,000 PCS/BOX)
  4. TAPE AND REEL PACKAGING COMPLY TO EIA-468-C

STANDARD TOLERANCE ( UNLESS OTHERWISE SPECIFIED )		<b>BIVAR</b> <sup>®</sup>	
DECIMALS	ANGULAR	4 THOMAS, IRVINE, CA. 92618	
.X ± .1	X° ± 1°	TEL: (949) 951-8808 FAX: (949) 951-3974	
.XX ± .02		<b>TITLE:</b> EXTRUDED VERTICAL T-1 (3mm) LED STANDARD PROFILE SPACER ASSY	
.XXX ± .010		<b>PART NO:</b> ELM7XXX3XX	
DESIGNED: <b>David Green</b>	DATE: <b>12/23/04</b>	REVISION: <b>F</b>	
CHECKED: <b>T. Yin</b>	DATE: <b>12/23/04</b>	<b>CAGE CODE :</b> 32559 <b>SHEET #</b> 3 <b>OF</b> 3	
CAD GENERATED DOCUMENT, DO NOT MEASURE DRAWING.			