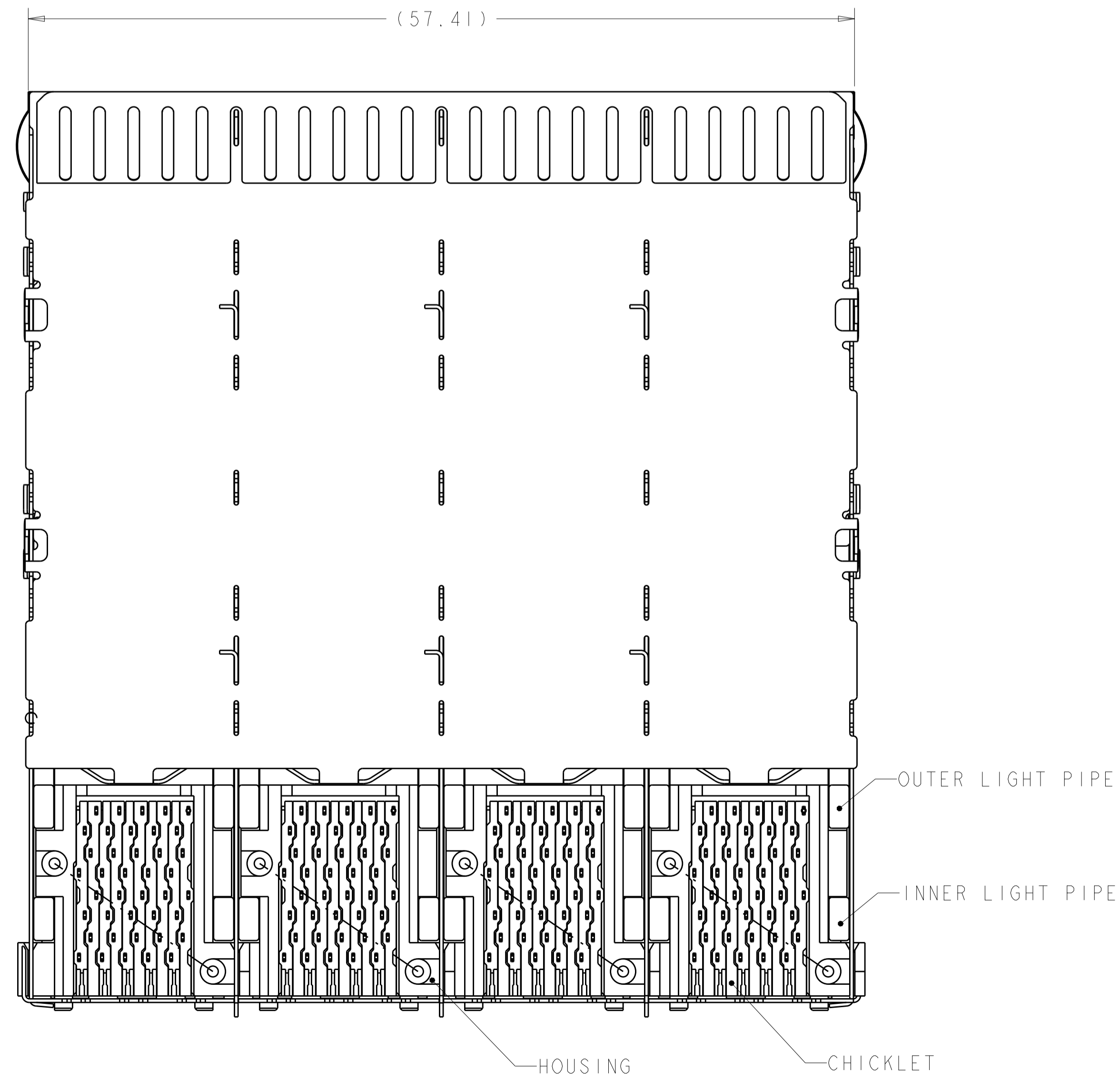
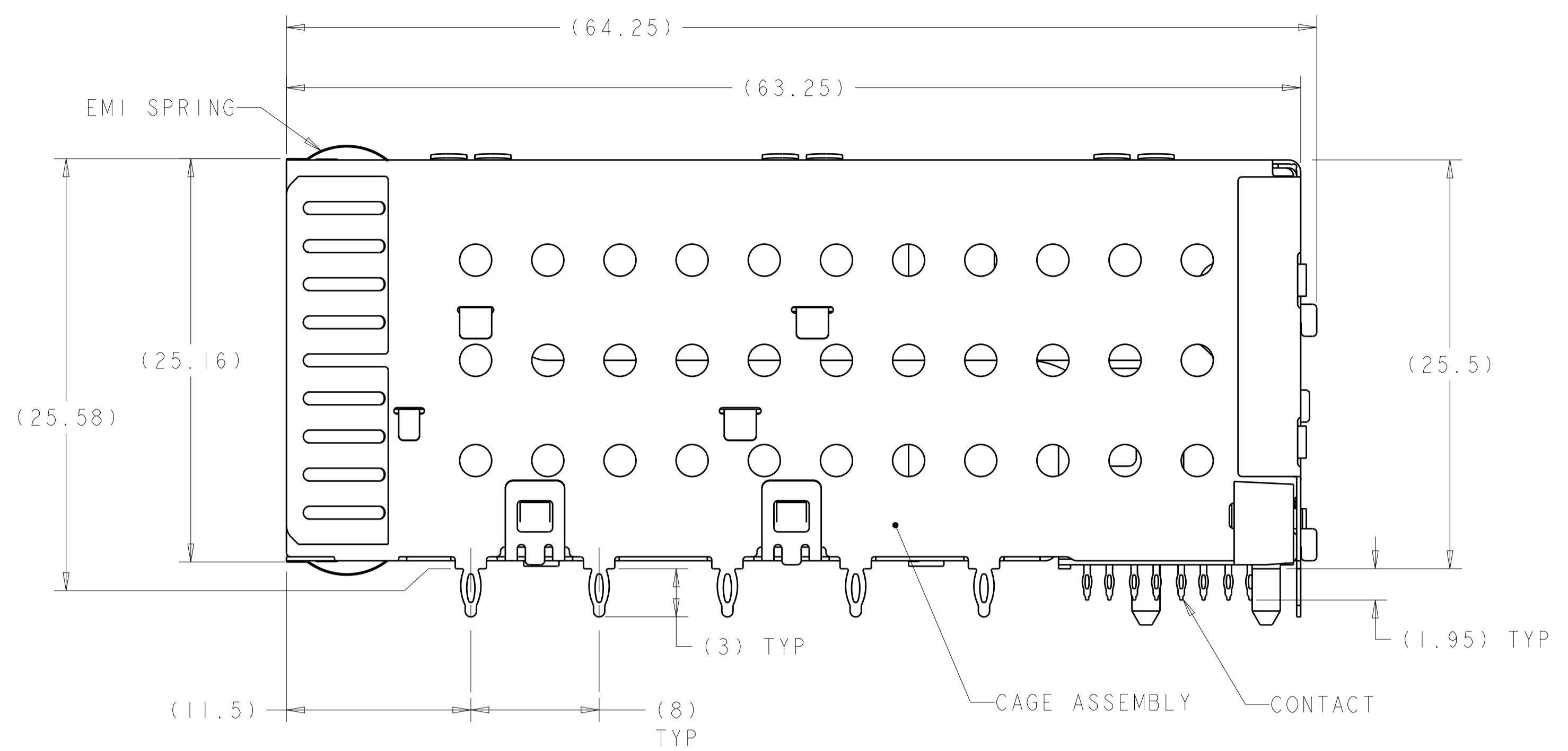
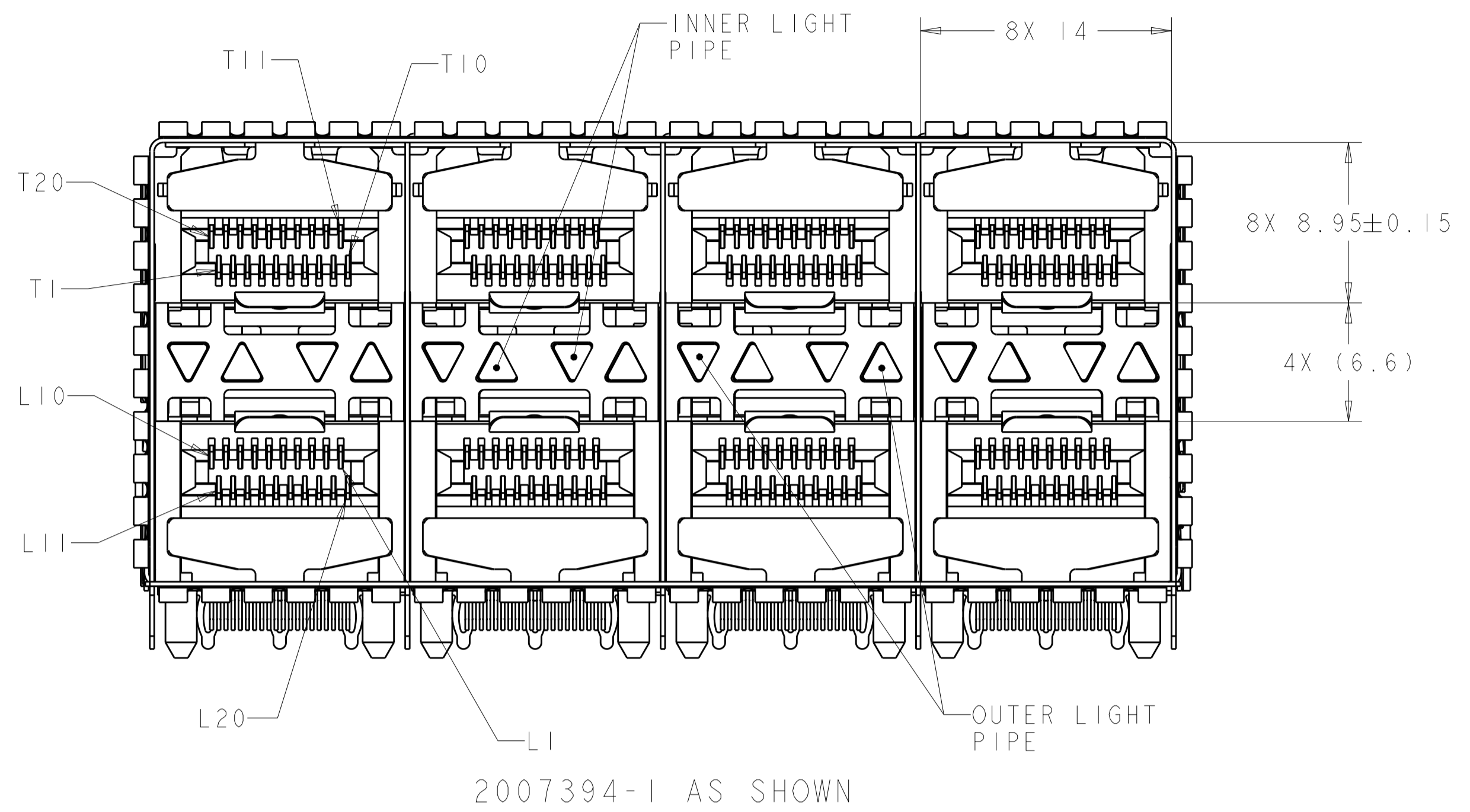


LOC	DIST	REV	DATE	BY	CHKD	APVD
GP	00					
B1		REVISED PER ECO-11-004835	11MAR2011	RK	HMR	
C		REVISED PER ECO-11-020849	11JAN2012	CJV	PAR	
C1		REVISED PER ECO-13-003678	10APR2013	CJV	PAR	



- △ MATERIALS:
 CAGE ASSEMBLY- NICKEL SILVER ALLOY PER ASTM B 122.
 EMI SPRING- COPPER ALLOY.
 INSERT- PBT, BLACK, UL 94V-0.
 HOUSING- BLACK LCP, UL 94V-0 RATED.
 CHICKLET- BLACK LCP, UL 94V-0 RATED.
 LIGHT PIPE- POLYCARBONATE, CLEAR.
 CONTACT- COPPER ALLOY.
- △ DATUM AND BASIC DIMENSIONS ESTABLISHED BY CUSTOMER.
- 3. MINIMUM PCB THICKNESS OF 1.5.
- △ CONTACT FINISH: CONFORMS TO THE REQUIREMENTS OF TE CONNECTIVITY PRODUCT SPECIFICATION 108-2331, BASED ON EIA/ECA-364-1000.01A, (CONTROLLED ENVIRONMENT APPLICATIONS) ON MATING INTERFACE, TIN-LEAD ON NEEDLE EYE.
- △ CONTACT FINISH: CONFORMS TO THE REQUIREMENTS OF TE CONNECTIVITY PRODUCT SPECIFICATION 108-2331, BASED ON EIA/ECA-364-1000.01A, (CONTROLLED ENVIRONMENT APPLICATIONS) ON MATING INTERFACE, TIN ON NEEDLE EYE.

- △ FOR HOLE SIZE AND PLATINGS, SEE APPLICATION SPEC 114-13219.
- △ THE ENTIRE AREA OF THE CONNECTOR FOOTPRINT, INDICATED BY THE DASHED LINE, TO BE CONSIDERED THE KEEPOUT AREA FOR COMPONENTS AND SIGNAL TRACES, TOP SIDE ONLY. TOP SIDE TRACES ALLOWED WITHIN CONNECTOR HOLE PATTERN.
- △ LIGHT PIPE PAD LAYOUT IS FOR 0805 LOW PROFILE LED PACKAGE WITH A HEIGHT OF 0.8mm.
- △ EMI SPRING FINISH: 0.8µm MINIMUM MATTE TIN OVER 0.8µm MINIMUM NICKEL, NONPLATED EDGES PERMISSIBLE.
- △ ADDITIONAL COMPONENT LOCATED WITHIN LATCH PLATE FOR EMI SUPPRESSION.

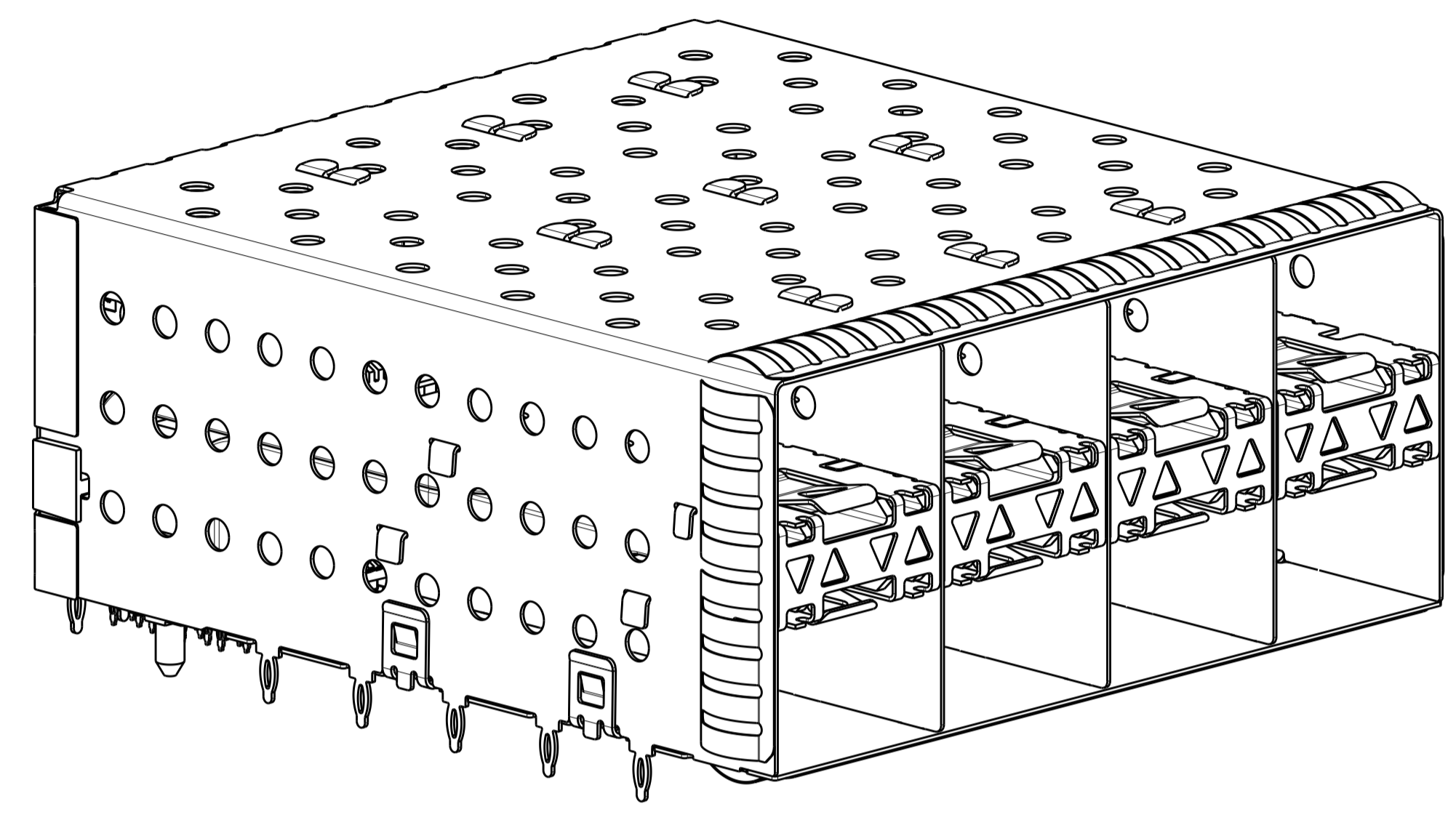
ENHANCED EMI	FINISH	DESCRIPTION	PART NUMBER
YES △10	△5	NO LIGHT PIPES	1-2007394-8
		OUTER 2 LIGHT PIPES	1-2007394-7
		INNER 2 LIGHT PIPES	1-2007394-6
NO	△5	4 LIGHT PIPES	1-2007394-5
		NO LIGHT PIPES	2007394-8
		OUTER 2 LIGHT PIPES	2007394-7
NO	△4	INNER 2 LIGHT PIPES	2007394-6
		4 LIGHT PIPES	2007394-5
		NO LIGHT PIPES	2007394-4
		OUTER 2 LIGHT PIPES	2007394-3
		INNER 2 LIGHT PIPES	2007394-2
		4 LIGHT PIPES	2007394-1

THIS DRAWING IS A CONTROLLED DOCUMENT. DIMENSIONING AND TOLERANCING PER ASME Y14.5M-2009. DIMENSIONS: mm. TOLERANCES UNLESS OTHERWISE SPECIFIED: 0 PLC ±0.10, 1 PLC ±0.10, 2 PLC ±0.10, 3 PLC ±0.10, 4 PLC ±0.10, ANGLES ±°. MATERIAL: 1. FINISH: 4, 5, 9.

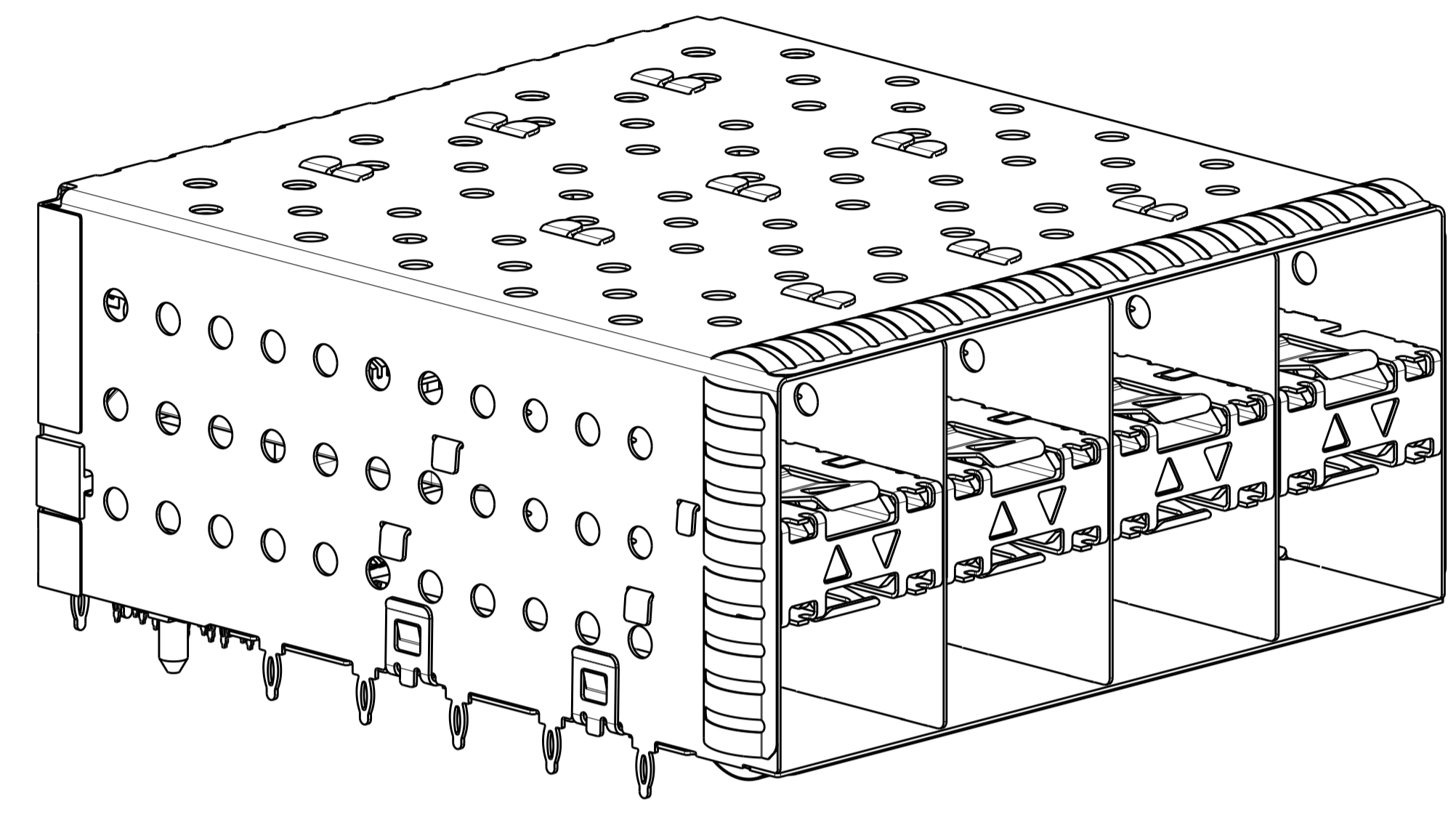
APPROVED: M. SHIRK, D. SZCZESNY, D. SZCZESNY. PRODUCT SPEC: 108-2331. APPLICATION SPEC: 114-13219. WEIGHT: -. CUSTOMER DRAWING.

STE TE Connectivity. NAME: CAGE AND PT CONNECTOR ASSEMBLY, WITH EMI SPRINGS, PRESS FIT, 2X4, STACKED SFP+. SIZE: A100779. CAGE CODE: 2007394. SCALE: 4:1. SHEET 1 OF 4. REV C1.

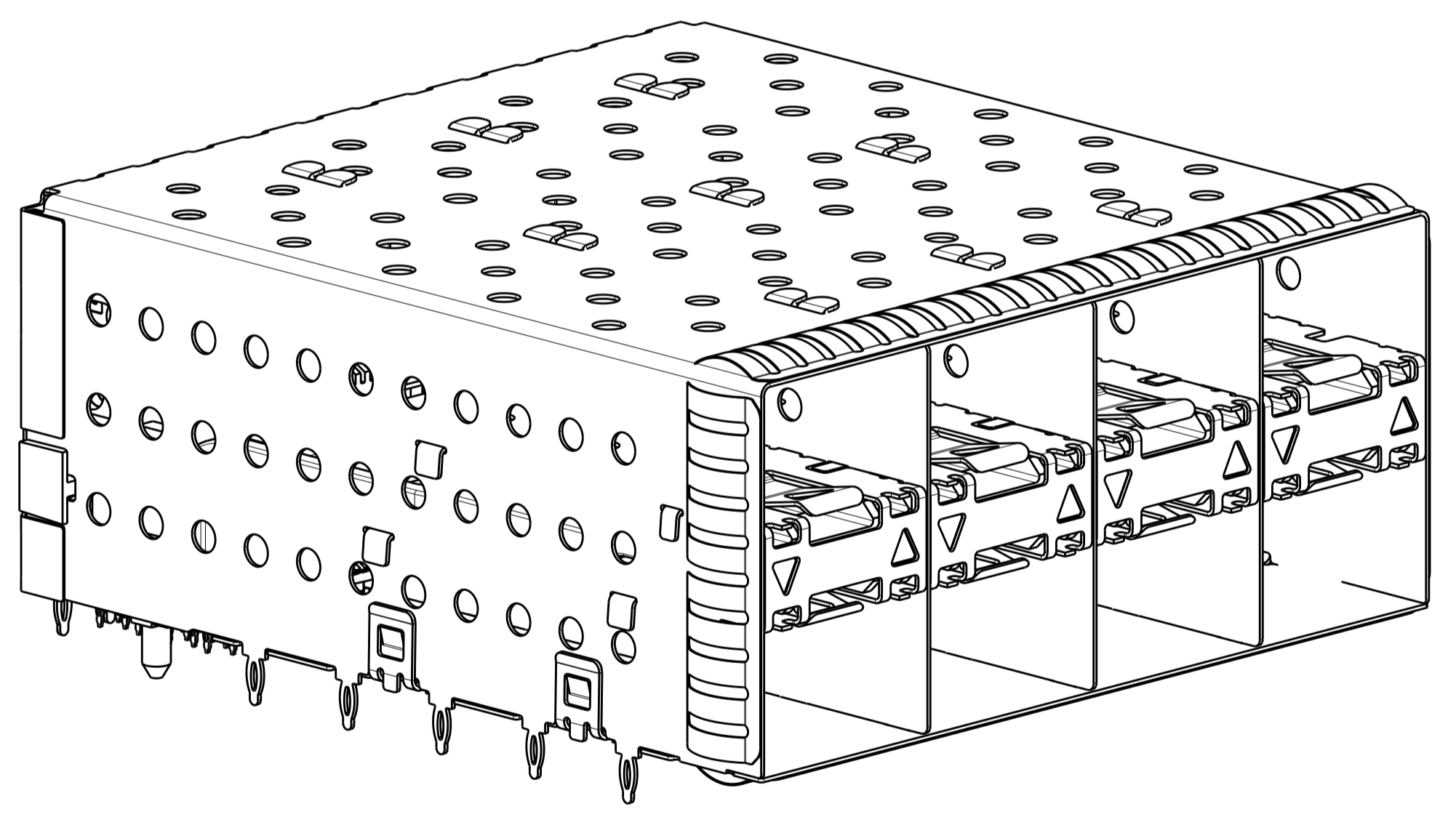
LOC	DIST	REVISIONS			
P	LYR	DESCRIPTION	DATE	DWN	APVD
-	-	SEE SHEET 1	-	-	-



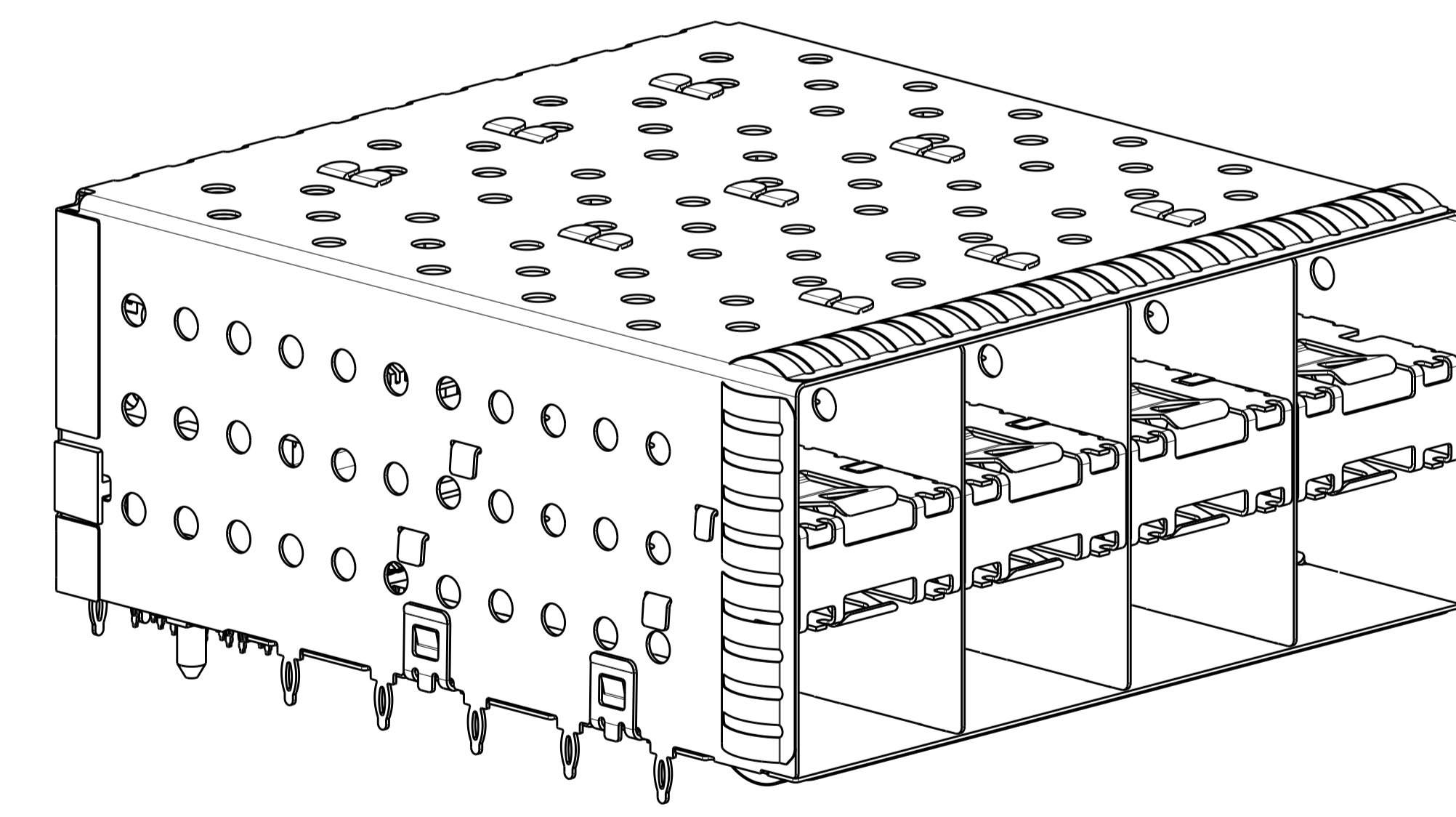
2007394-1, 2007394-5 AND 1-2007394-5
 SCALE 3:1



2007394-2, 2007394-6 AND 1-2007394-6
 SCALE 3:1



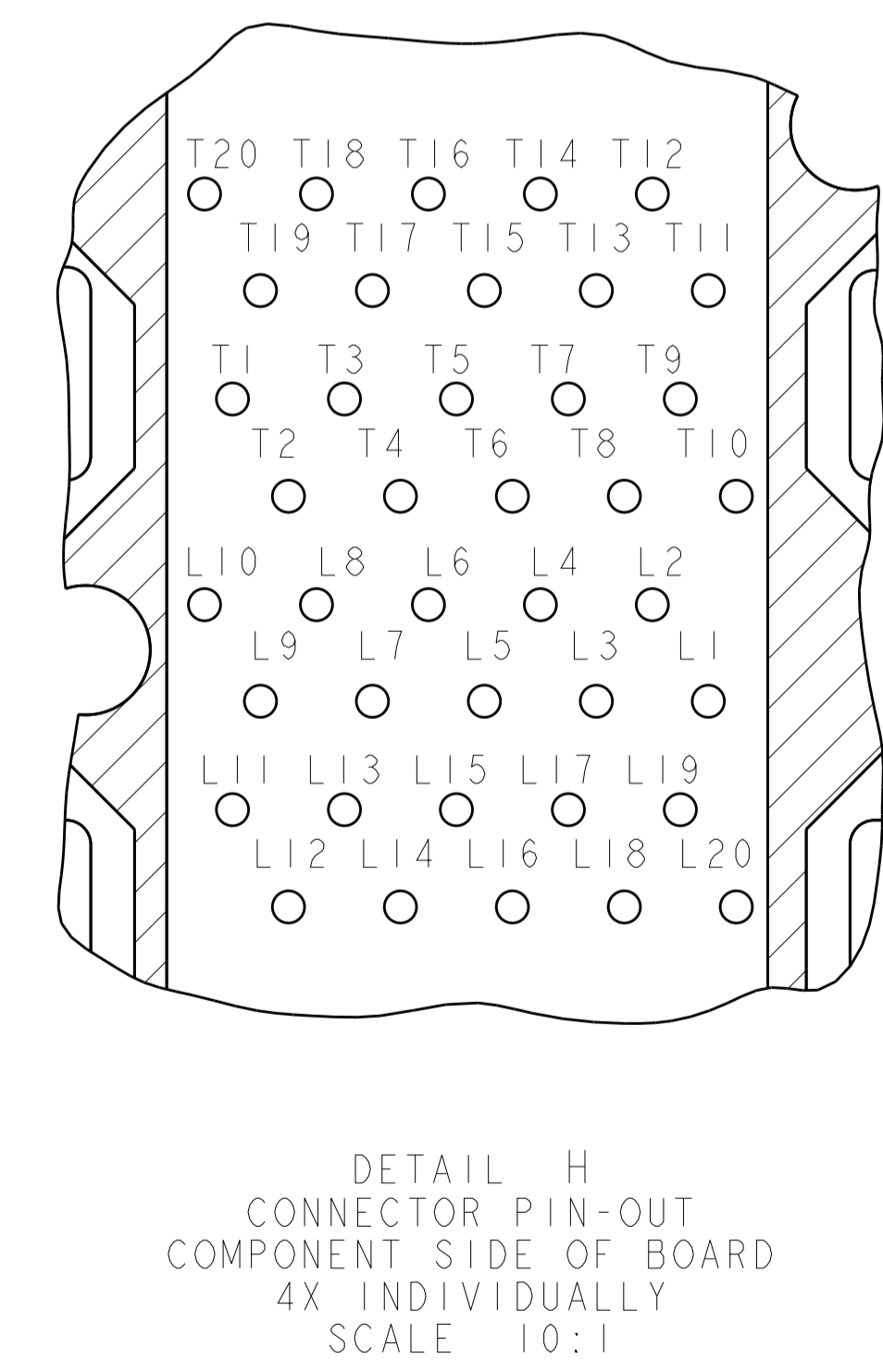
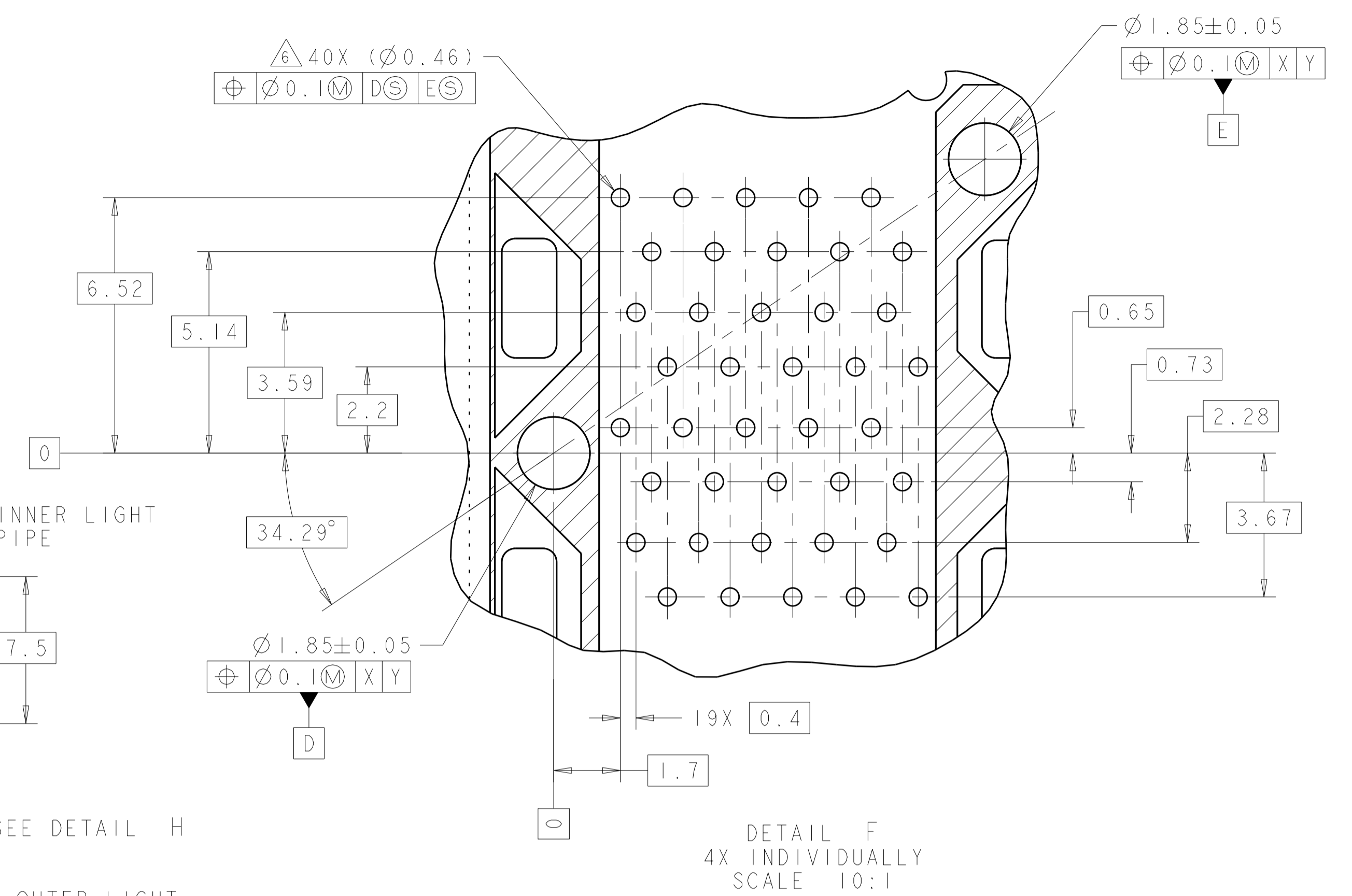
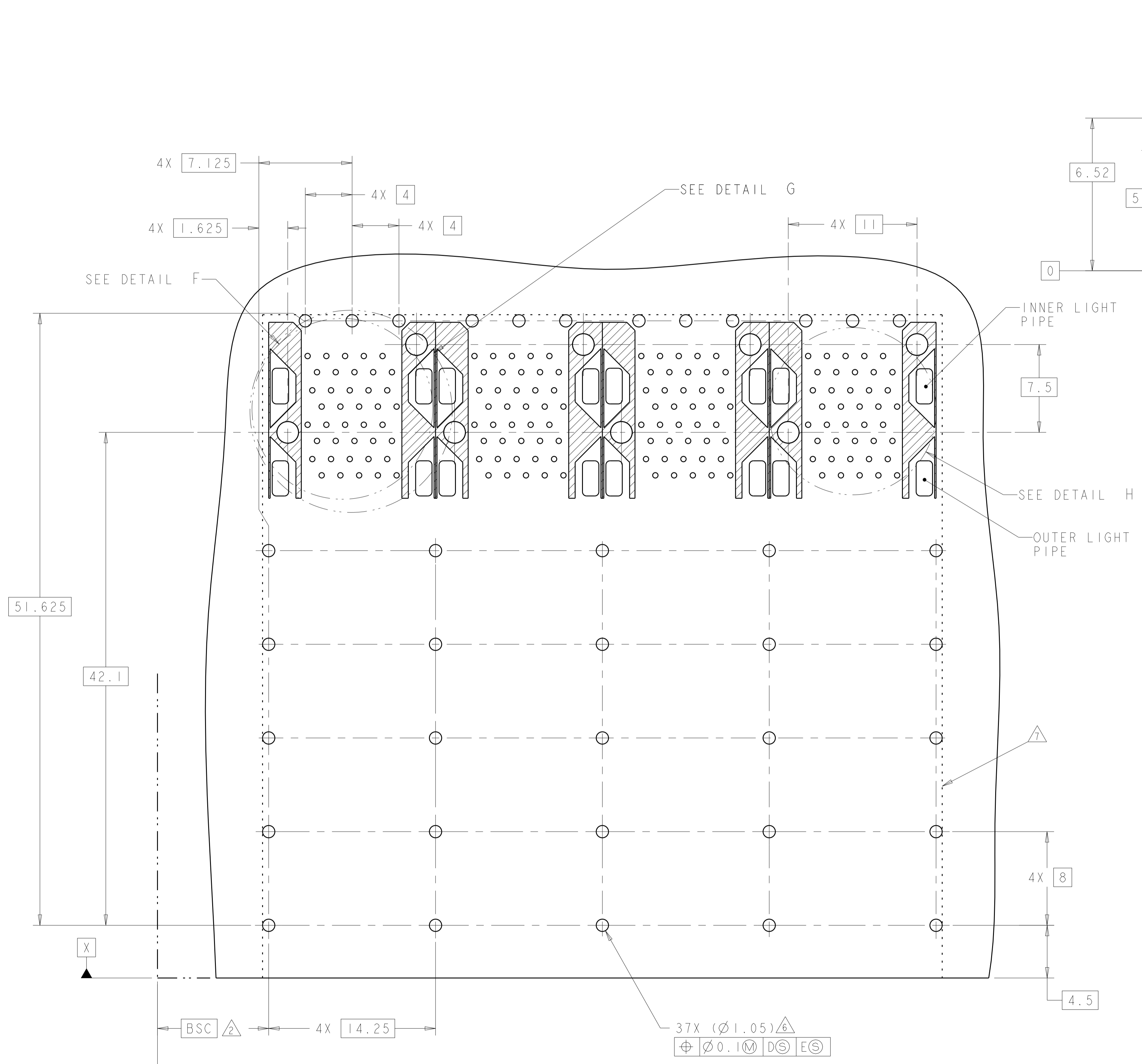
2007394-3, 2007394-7 AND 1-2007394-7
 SCALE 3:1



2007394-4, 2007394-8 AND 1-2007394-8
 SCALE 3:1

THIS DRAWING IS A CONTROLLED DOCUMENT. DIMENSIONING AND TOLERANCING PER ASME Y14.5M-2009		DWN M. SHIRK 10OCT2007	TE Connectivity NAME CAGE AND PT CONNECTOR ASSEMBLY, WITH EMI SPRINGS, PRESS FIT, 2X4, STACKED SFP+
DIMENSIONS: mm		CHK D. SZCZESNY 10OCT2007	
TOLERANCES UNLESS OTHERWISE SPECIFIED:		APVD D. SZCZESNY 10OCT2007	PRODUCT SPEC
0 PLC	±0.10	108-2331	APPLICATION SPEC
1 PLC	±0.10	114-13219	SIZE CAGE CODE DRAWING NO
2 PLC	±0.10	100779	SCALE 4:1 SHEET 2 OF 4
3 PLC	±0.10	©=2007394	REV C1
4 PLC	±0.10		
ANGLES	±°		
MATERIAL	FINISH	WEIGHT	
CUSTOMER DRAWING			

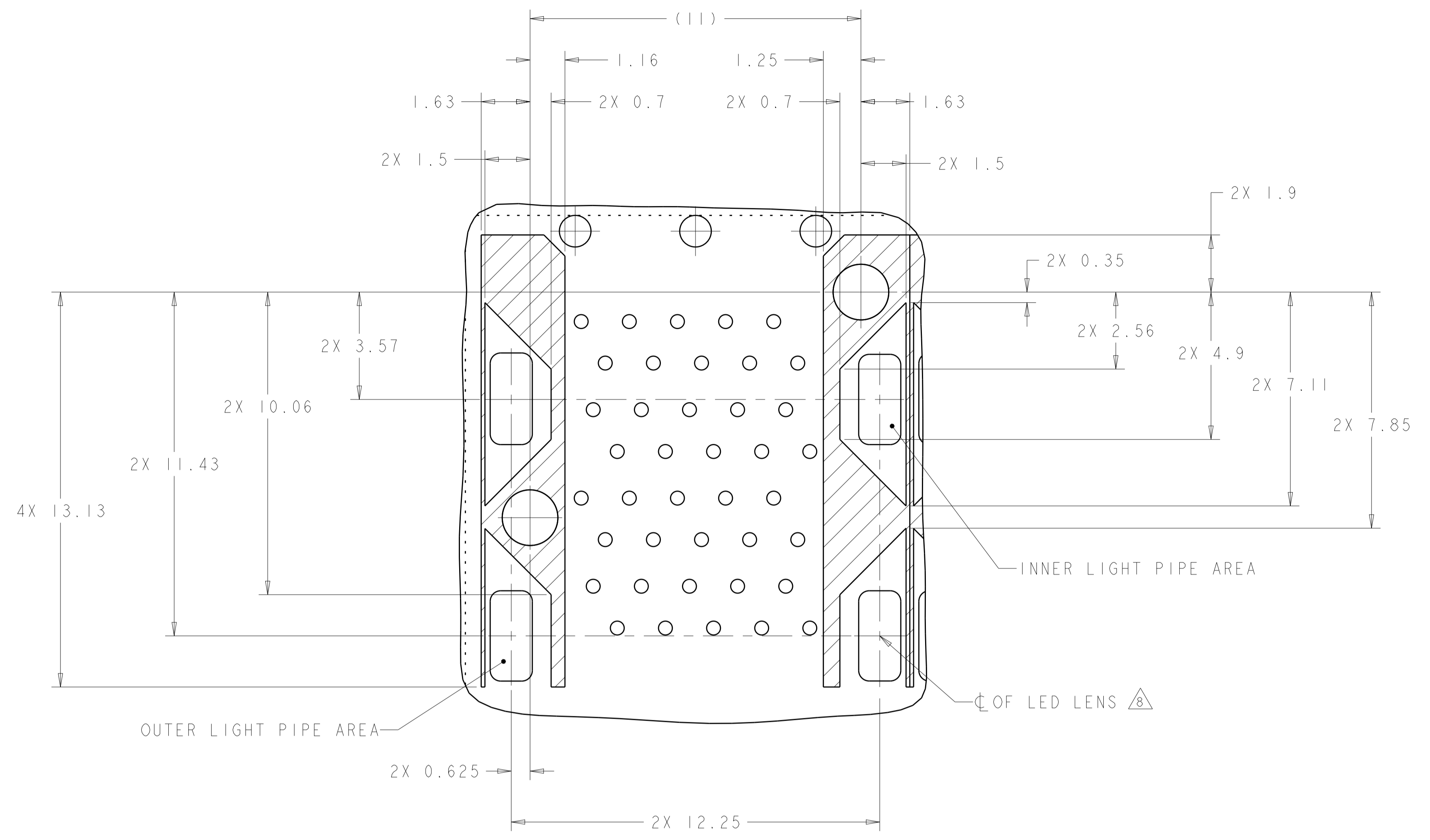
LOC		DIST		REVISIONS			
GP	00	P	LTM	DESCRIPTION	DATE	DMN	APVD
				SEE SHEET 1			



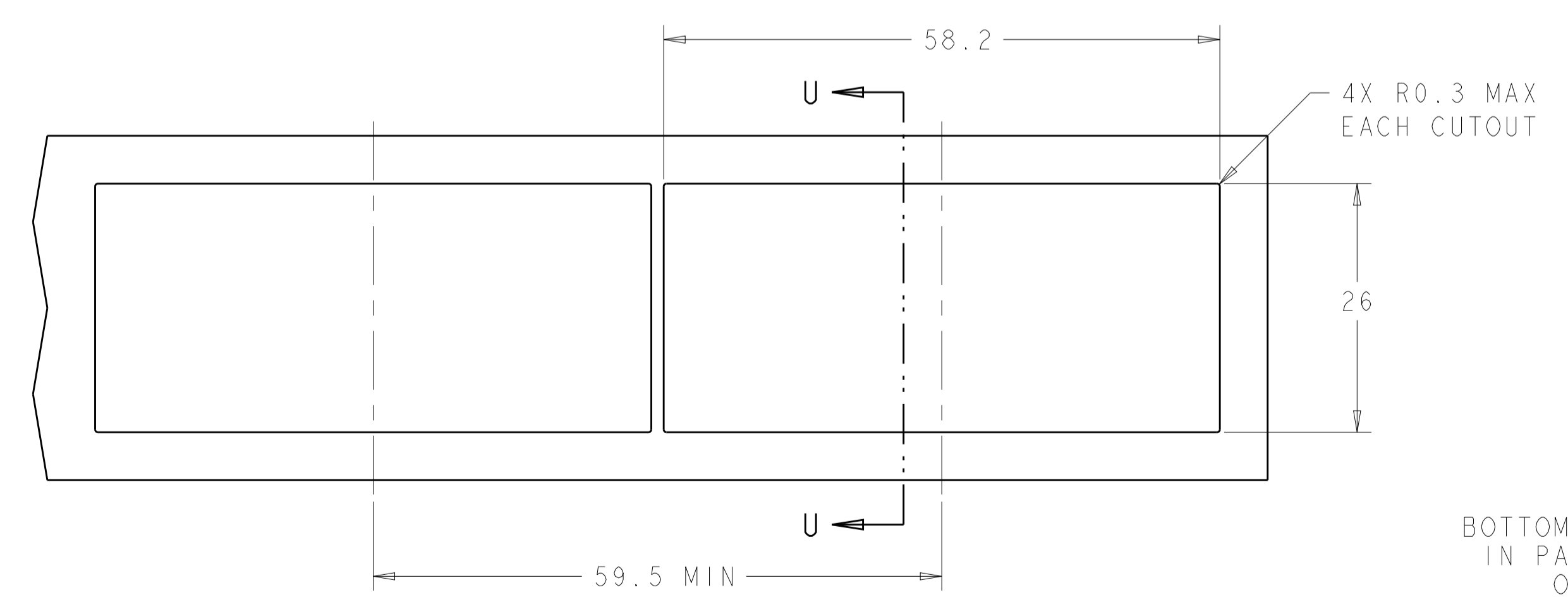
RECOMMENDED PCB LAYOUT
 COMPONENT SIDE OF BOARD
 SCALE 5:1

THIS DRAWING IS A CONTROLLED DOCUMENT. DIMENSIONING AND TOLERANCING PER: ASME Y14.5M-2009		DMN: M. SHIRK 10OCT2007	TE Connectivity
TOLERANCES UNLESS OTHERWISE SPECIFIED:		CHK: D. SZCZESNY 10OCT2007	
DIMENSIONS:	mm	APVD: D. SZCZESNY 10OCT2007	NAME: CAGE AND PT CONNECTOR ASSEMBLY, WITH EMI SPRINGS, PRESS FIT, 2X4, STACKED SFP+
0 PLC	±0.10	PRODUCT SPEC	
1 PLC	±0.10	108-2331	SIZE: CAGE CODE DRAWING NO. RESTRICTED TO A100779C=2007394
2 PLC	±0.10	APPLICATION SPEC	
3 PLC	±0.10	114-13219	SCALE: 4:1 SHEET 3 OF 4 REV: C1
4 PLC	±0.10	WEIGHT	
ANGLES	±°	CUSTOMER DRAWING	
MATERIAL	FINISH		

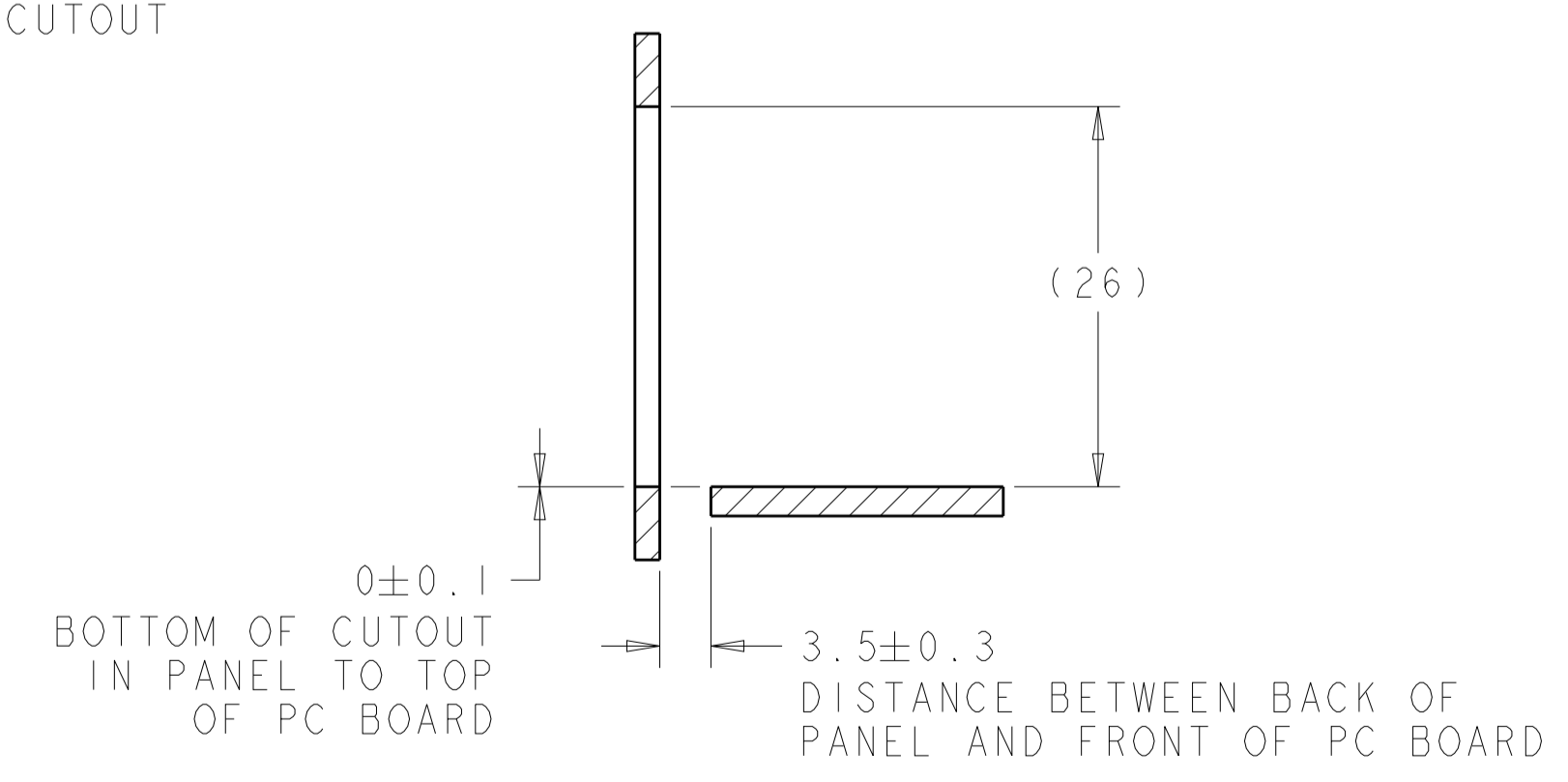
LOC	DIST	REV	DATE	BY	APPV
GP	00				
REVISIONS					



DETAIL G
 CONNECTOR HOUSING
 KEEP-OUT ZONE
 4X INDIVIDUALLY
 SCALE 10:1



RECOMMENDED PANEL CUTOUT
 AND PC BOARD, PANEL POSITION
 SCALE 2:1



SECTION U-U

THIS DRAWING IS A CONTROLLED DOCUMENT. DIMENSIONING AND TOLERANCING PER ASME Y14.5M-2009		DWN: M. SHIRK 10OCT2007	TE Connectivity
TOLERANCES UNLESS OTHERWISE SPECIFIED:		CHK: D. SZCZESNY 10OCT2007	
DIMENSIONS:	mm	APVD: D. SZCZESNY 10OCT2007	NAME: CAGE AND PT CONNECTOR ASSEMBLY, WITH EMI SPRINGS, PRESS FIT, 2X4, STACKED SFP+
0 PLC	±0.10	PRODUCT SPEC	SIZE: 114-13219
1 PLC	±0.10	APPLICATION SPEC	SCALE: 4:1
2 PLC	±0.10	WEIGHT	SHEET: 4 OF 4
3 PLC	±0.10	CUSTOMER DRAWING	REV: C
4 PLC	±0.10		
ANGLES	±°		
FINISH			