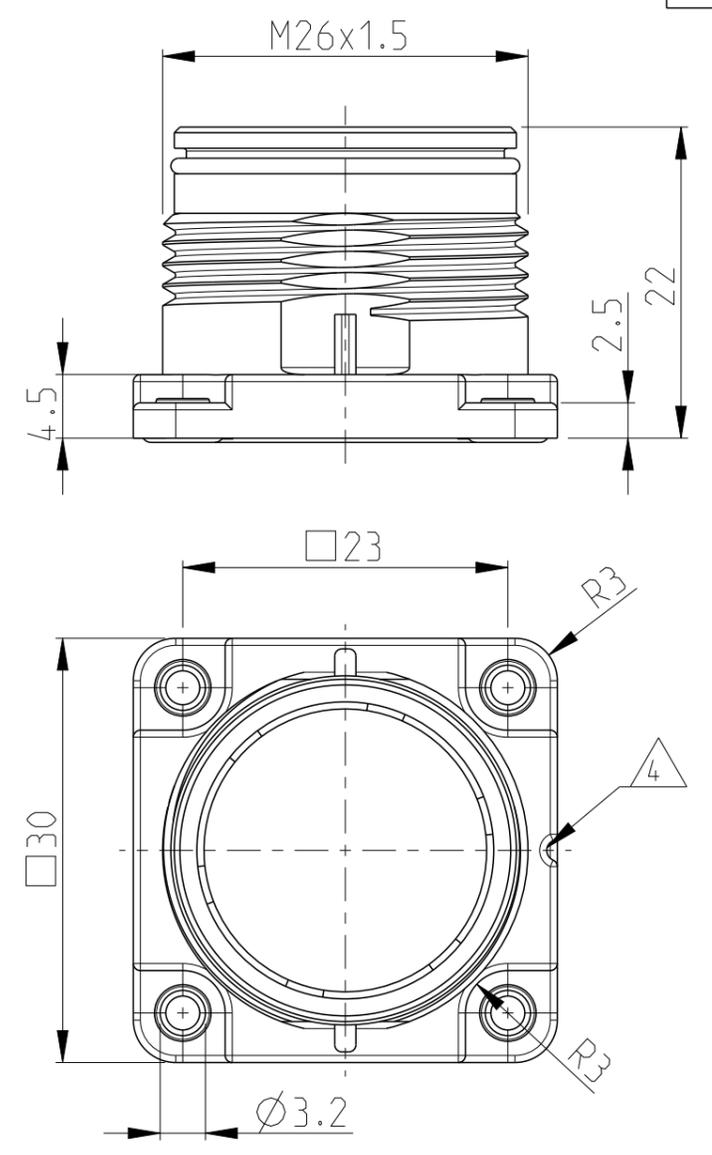
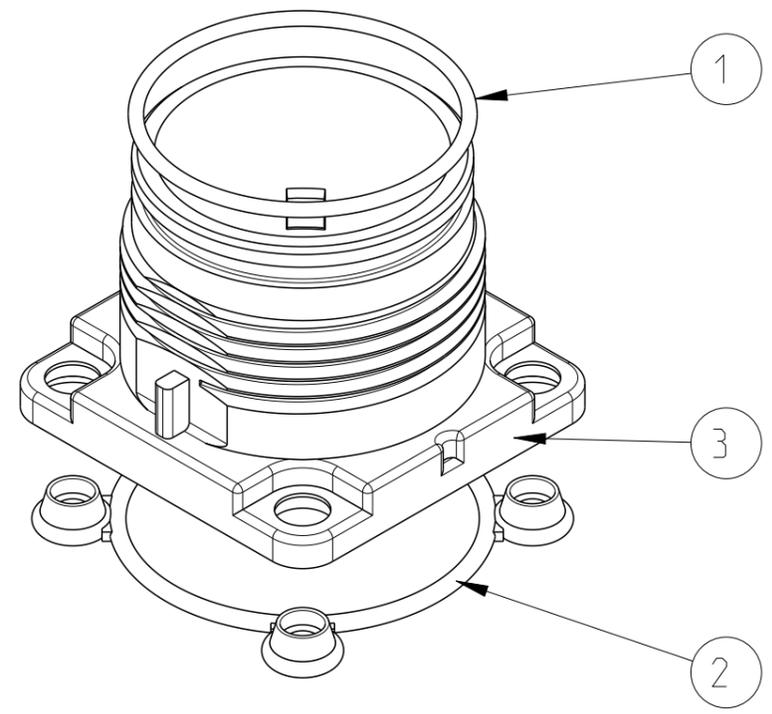


THIS DRAWING IS UNPUBLISHED
 VERTRAULICHE UNVEROFFENTLICHTE ZEICHNUNG
 © COPYRIGHT 2009 Tyco Electronics AMP GmbH
 RELEASED FOR PUBLICATION
 FREI FUER VEROFFENTLICHUNG
 26.Jan. 2009
 ALL RIGHTS RESERVED.
 ALLE RECHTE VORBEHALTEN.

LOC	DIST	REVISIONS					
AI	-	AENDERUNGEN		DATE	DWN	APVD	
PROJEKT NR.:		P	LTR	DESCRIPTION			
				BESCHREIBUNG			
		C1		ECR-11-016021	05AUG2011	GW	OH
		C2		ECR-11-017650	09SEP2011	SH	HEIN
		C3		ECR-12-000401	09JAN2012	GW	BR
		D1		GROOVE FOR O-RING CHANGED	11DEC2012	KHH	PK



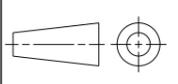
- Notes
- 1 SUITABLE HOUSINGS: SERIES HC26
CUSTOMER DRAWING: 1103436, 1103434
 - 2 SUITABLE INSERTS: SERIES HC26
CUSTOMER DRAWING: 1103428, 1103429,
1103431, 1103432
 - 3 STANDARDS:
DIN EN 61984, DIN EN 60664-1
 - 4 CODING GROOVE
 - 5 PACKAGING:
40 SETS IN A CARTON, PRE-MOUNTED
 - 6 SALEABLE PART
 - 7 KIT COMPONENT: FOR INTERNAL USE ONLY

PN 0-1 AS SHOWN

7	6	DESCRIPTION	MATERIAL	SURFACE/COLOR	NOTE	ITEM
1	1	BULKHEAD HOUSING	ZINC ALLOY	NICKEL PLATED	SERIES HC26, DESIGN METAL	3
1	1	SEALING	FKM	GREY	SERIES HC26, BULKHEAD HSG.	2
1	1	O-RING	FKM, 70	BLACK	20.0x1.25 DIN 3771	1
-2	-1	DESCRIPTION	MATERIAL	SURFACE/COLOR	NOTE	ITEM

DIESE ZEICHNUNG IST EIN KONTROLLIERTES DOKUMENT.
 BEMASSUNGEN UND TOLERANZEN GEMAESS GPS (ISO STANDARDS).

THIS DRAWING IS A CONTROLLED DOCUMENT.
 DIMENSIONING AND TOLERANCING PER GPS (ISO STANDARDS).

DIMENSIONS: MASSEINHEITEN: MM	TOLERANCES UNLESS OTHERWISE SPECIFIED: ALLGEMEINTOLERANZEN	DWN T.VETTER 23JAN2009	 TE Connectivity			
	0 PLC ± 1 PLC ±± 2 PLC ±±± 3 PLC ±±±± 4 PLC ±±±±± ANGLES/WINKEL ±1°	CHK H.BRAUN 26JAN2009				
		APVD T.SCHNURPFIL 26JAN2009				
		PRODUCT SPEC PRODUKTSPEZ. 108-74097				
MATERIAL	FINISH/OBERFLAECHE/FARBE	APPLICATION SPEC VERARBEITUNGSSPEZ. 114-74103	NAME BULKHEAD HOUSING ASS'Y SERIES HC26, DESIGN METAL POWER 4 NET			
		WEIGHT GEWICHT	SIZE A3	CAGE CODE 00779	DRAWING NO ZEICHNUNGS-NR. 1103436	RESTRICTED TO NUR FUER
CUSTOMER DRAWING		/KUNDENZEICHNUNG		SCALE MASSSTAB 2:1	SHEET BLATT 1 OF VON 1	REV D1