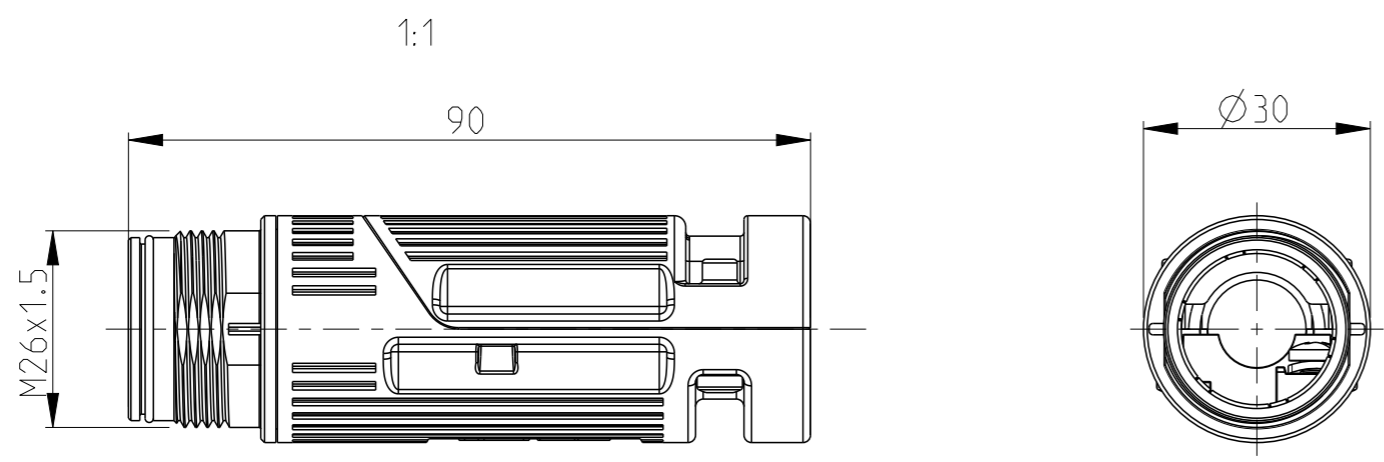


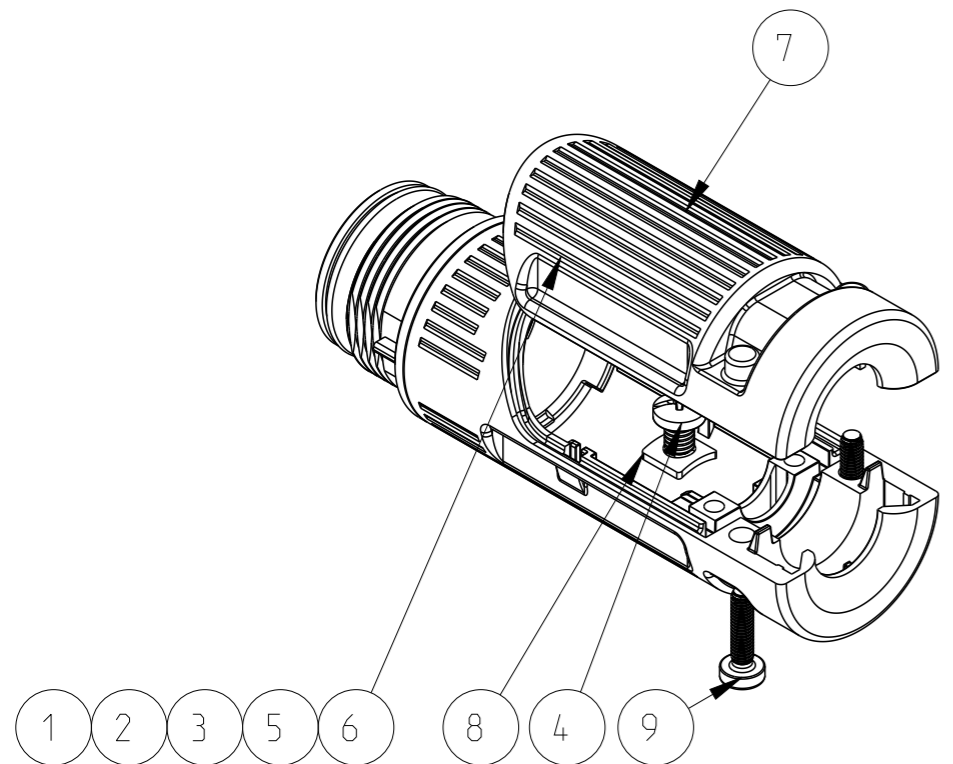
THIS DRAWING IS UNPUBLISHED  
 VERTRAULICHE UNVEROFFENTLICHTE ZEICHNUNG  
 RELEASED FOR PUBLICATION  
 FREI FUER VEROFFENTLICHUNG  
 24.SEP. 2009  
 MATED WITH:  
 PASSEND ZU:  
 TycO Electronics AMP GmbH  
 ALL RIGHTS RESERVED.  
 ALLE RECHTE VORBEHALTEN.

LOC	DIST	REVISIONS ÄNDERUNGEN					
		P	LTR	DESCRIPTION BESCHREIBUNG	DATE	DWN	APVD
AI	-						
PROJEKT NR.:			E1	ECR-11-016021	08AUG2011	GW	OH
			E2	ECR-11-021762	26OCT2011	GW	OH
			F1	RETAINING RING CHANGED (ITEM 3)	22NOV2012	KHH	PK



Notes

- SUITABLE HOUSINGS: SERIES HC26  
CUSTOMER DRAWING: 1103436, 1103434, 1103440
- SUITABLE INSERTS: SERIES HC26  
CUSTOMER DRAWING: 1103428, 1103429, 1103431, 1103432
- STANDARDS:  
DIN EN 61984, DIN EN 60664-1
- PACKAGING:  
40 SETS IN A CARTON, PRE-MOUNTED
- SUITABLE: ACCESSORY KIT:  
CUSTOMER DRAWING 1103483



QTY	DESCRIPTION	MATERIAL	SURFACE/COLOR	ITEM
2	SCREW FOR METAL	STEEL	ZINC PLATED	9
1	CLIP TAB	STEEL	ZINC PLATED	8
1	COVER	ZINC ALLOY	NICKEL PLATED	7
1	COUPLING ADAPTOR	ZINC ALLOY	NICKEL PLATED	6
1	CIRCULAR HOUSING	ZINC ALLOY	NICKEL PLATED	5
1	SCREW, PAN HEAD	STEEL	NICKEL PLATED	4
1	RETAINING RING	BRASS	NICKEL PLATED	3
1	O-RING	FKM, 70	GREEN	2
1	O-RING	FKM, 70	BLACK	1

QTY	SCREW	DRIVE	TORQUE	ITEM
1	M4x5	CROSS RECESS PZ1	2.7 Nm	4
2	Ø3x12	HEXALOBULAR T10	1.7 Nm	9

DIESE ZEICHNUNG IST EIN KONTROLLIERTES DOKUMENT.  
 BEMASSUNGEN UND TOLERANZEN GEMAESS GPS (ISO STANDARDS).

THIS DRAWING IS A CONTROLLED DOCUMENT.  
 DIMENSIONING AND TOLERANCING PER GPS (ISO STANDARDS).

TOLERANCING ISO 8015  
 TOLERIERUNG ISO 8015

DWN T.VETTER 24SEP2009  
 CHK O.HOLZMANN 24SEP2009  
 APVD T.SCHNURPFIL 24SEP2009

PRODUCT SPEC  
 PRODUKTSPEZ. 108-74097  
 APPLICATION SPEC  
 VERARBEITUNGSSPEZ. 114-74103

WEIGHT  
 GEWICHT -

SCALE  
 MASSSTAB 1:1

SHEET  
 BLATT 1 OF 1 VON 1

RESTRICTED TO  
 NUR FUER -

REV F1

**STE** TE Connectivity

NAME  
 COUPLING HOUSING ASSY  
 SERIES HC26, CIRC. HSG., DESIGN METAL  
 POWER 4 NET

SIZE A3 CAGE CODE 00779 DRAWING NO. ZEICHNUNGS-NR. C=1103439

CUSTOMER DRAWING /KUNDENZEICHNUNG