

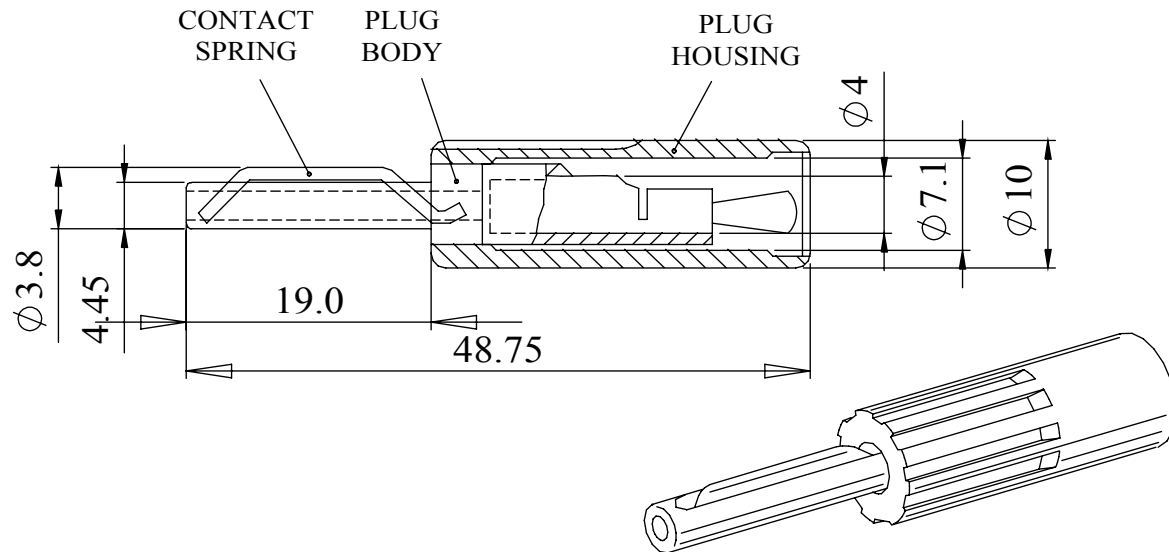
A standard in-line 4mm banana plug with a stainless steel contact spring.
 The large rear diameter of this plug will accept cables with a conductor of up 5,5mm (10 awg). The lead wire is held by soldering in a large solder bucket,

The product is also supplied with a large diameter insulating cover that accepts cables with a maximum outside diameter of 7,1mm.

Gold spec - GOLD 0.5 MICRONS (BS EN ISO27874:2008) Cu/Cu/Au0.5

Material	
Contact spring	Stainless steel, BS302
Plug body	Brass TR1 CZ 131
Plug housing	Acetal, C 27021 R
Body plating	Gold plate - BS EN ISO278474:2008 Cu/Cu/Au0.5
Rating	16 Amps
Voltage	50 Volts MAX

Dimensions



Part No.	Colour & Plug Plating	
580-0100	BLACK	(Gold Plated)
580-0200	BLUE	(Gold Plated)
580-0300	BROWN	(Gold Plated)
580-0400	GREEN	(Gold Plated)
580-0500	RED	(Gold Plated)
580-0600	WHITE	(Gold Plated)
580-0700	YELLOW	(Gold Plated)

Tel No. +44(0)1724 273200 Website www.dem-uk.com

PROPRIETARY AND CONFIDENTIAL

THE INFORMATION CONTAINED IN THIS DRAWING IS THE SOLE PROPERTY OF ALPHA 3 MANUFACTURING. ANY REPRODUCTION IN PART OR AS A WHOLE WITHOUT THE WRITTEN PERMISSION OF ALPHA 3 MANUFACTURING IS PROHIBITED.

UNLESS OTHERWISE SPECIFIED: DIMENSIONS ARE IN MILLIMETRES LINEAR TOLERANCE: NO DECIMAL PLACES ±0.5mm 1 DECIMAL PLACE ±0.25mm 2 DECIMAL PLACES ±0.125mm ANGULAR TOLERANCE: ±1°

FINISH STANDARD 4MM PLUG SPB DEBURR AND BREAK SHARP EDGES
 IF IN DOUBT ASK DO NOT SCALE DRAWING

DRAWN BY WC APPROVED BY SEE NOTE THIRD ANGLE PROJECTION

SHEET 1 OF 1 SCALE 1:1 A4

TITLE GENERAL SPECIFICATION 580 SERIES PLUG

DRAWING NO. 580 SERIES

ISSUE 02 Release



DEM Manufacturing, Deltron Emcon House Hargreaves Way, Sawcliffe Ind. Park, Scunthorpe, North Lincolnshire, DN15 8RF, UK