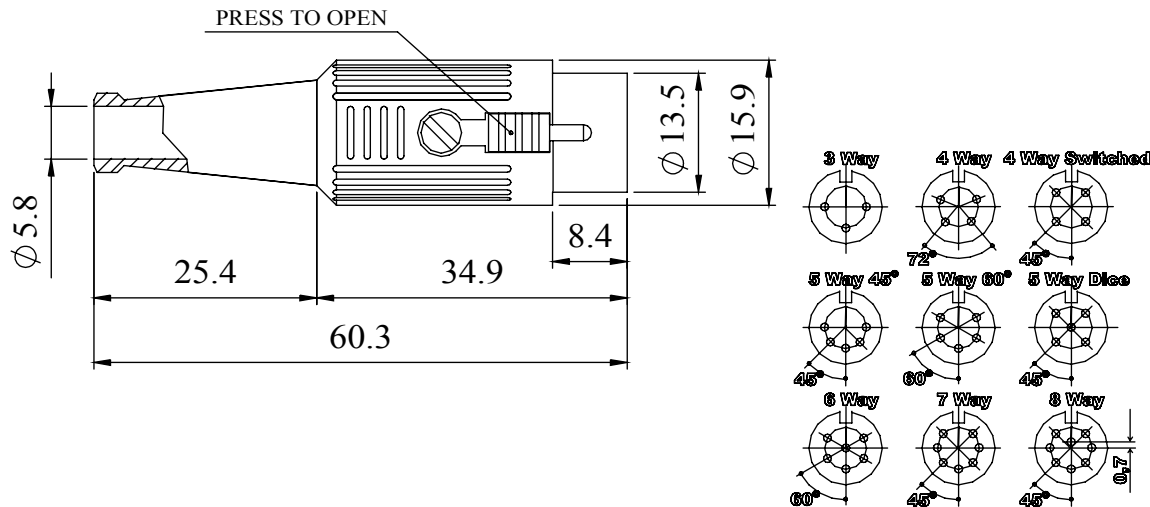


A fully screened robust range of DIN connectors for use in instrumentation and audio applications. Available in two finishes; bright nickel and non-reflective electrically conductive matte black. Robust construction incorporating cable grip and strain relief.

Dimensions



| | |
|-------------------------|-------------------------------------|
| Materials | |
| Housing | Zinc Alloy |
| | Sprayed with Black Conductive Paint |
| Moulding | Nylon |
| Contacts | Brass Silver Plated |
| Cable Clamp | Mild steel Zinc Plated |
| Grommet | Black P,V,C |
| Electrical | |
| Rated Voltage | 34 V a.c. or d.c. |
| Current Rating | 2.A |
| Test Voltage | 500 V r.m.s. |
| Insulation Resistance | 103 MΩ min at 100 V d.c |
| Contact Resistance | 10 mΩ max |
| Capacitance (mated) | 3pF |
| Climatic | |
| Climatic category | 25/070/21 |
| Temperature Range | -25°C to +70°C |
| Damp heat, steady state | 21 days |

| Type | Deltron No |
|------------|------------|
| 3 Way | 591-0300 |
| 4 Way | 591-0400 |
| 5 Way 45° | 591-0500 |
| 5 Way 60° | 591-0510 |
| 5 Way Dice | 591-0520 |
| 6 Way | 591-0600 |
| 7 Way | 591-0700 |
| 8 Way | 591-0800 |

Tel No. +44(0)1724 273200 Website www.dem-uk.com



PROPRIETARY AND CONFIDENTIAL
THE INFORMATION CONTAINED IN THIS DRAWING IS THE SOLE PROPERTY OF
ALPHA 3 MANUFACTURING.
ANY REPRODUCTION IN PART OR AS A WHOLE WITHOUT THE WRITTEN PERMISSION OF
ALPHA 3 MANUFACTURING IS PROHIBITED.



UNLESS OTHERWISE SPECIFIED:
DIMENSIONS ARE IN MILLIMETRES
LINEAR TOLERANCE:
NO DECIMAL PLACES ±0.5mm
1 DECIMAL PLACE ±0.25mm
2 DECIMAL PLACES ±0.125mm
ANGULAR TOLERANCE: ±1°

FINISH SCREENED DIN CONNECTOR
LOCKABLE PLUG
BLACK
IF IN DOUBT ASK
DO NOT SCALE DRAWING

MATERIAL SEE NOTE

DEBURR AND BREAK
SHARP EDGES

DRAWN BY
APPROVED BY



SPB
WC
SHEET 1 OF 1
SCALE 1:1
A4

TITLE GENERAL SPECIFICATION
FOR
591 SERIES

DRAWING NO. 591 SERIES

ISSUE **07**
Release