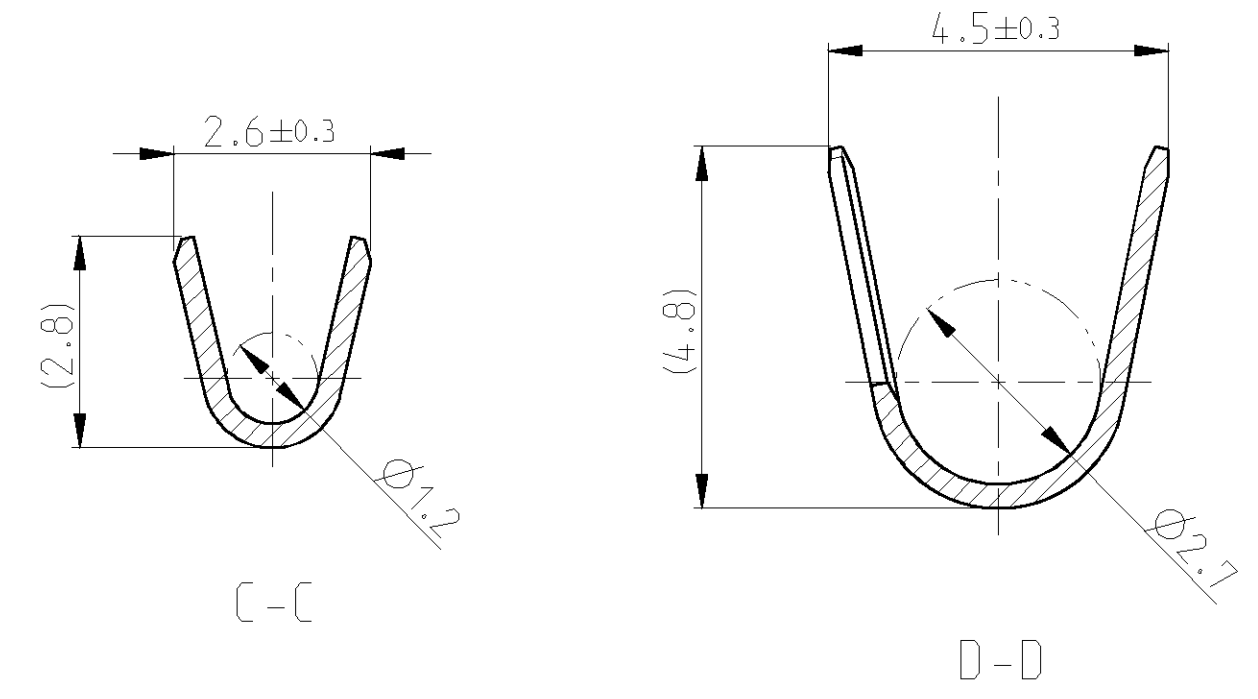
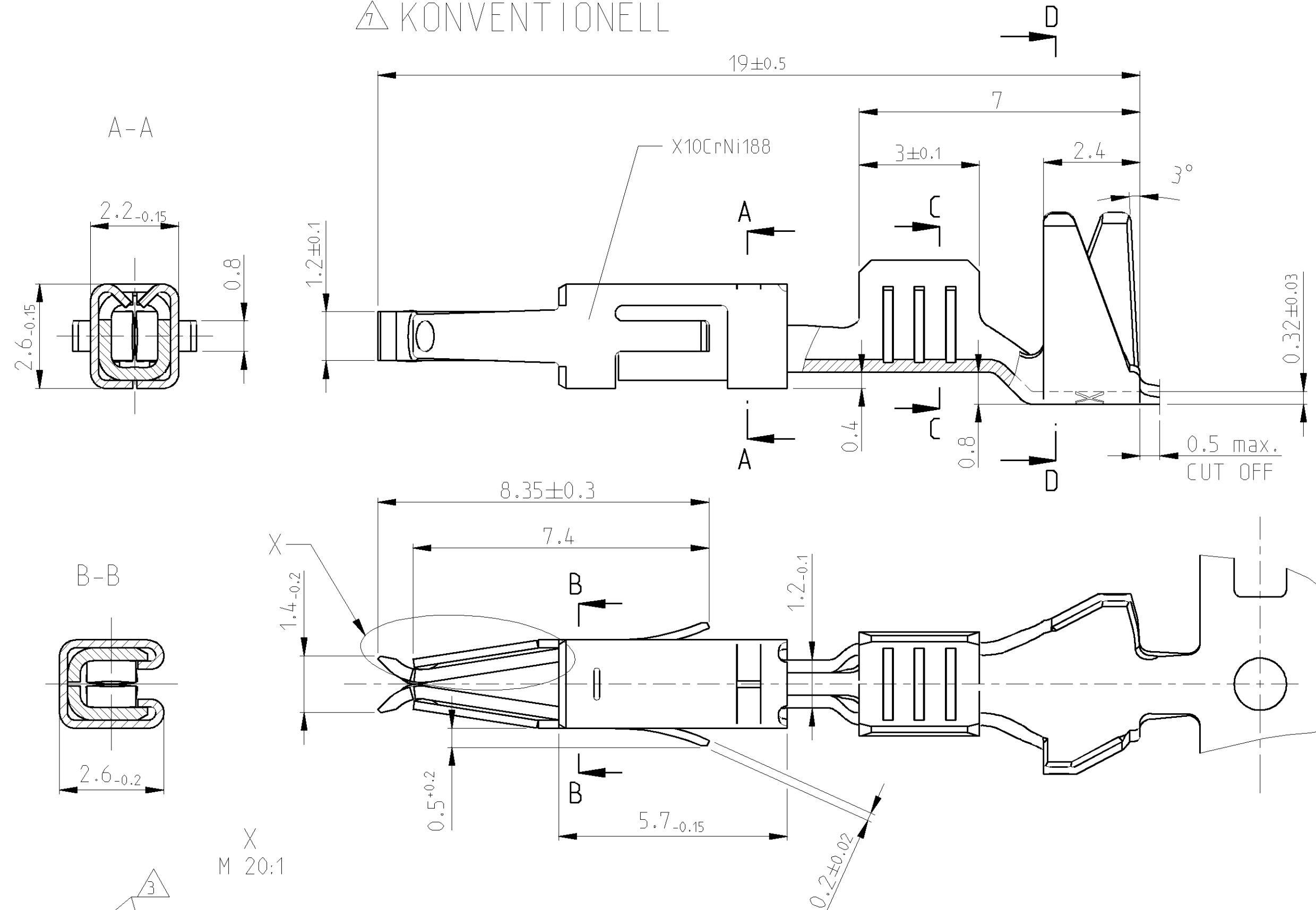


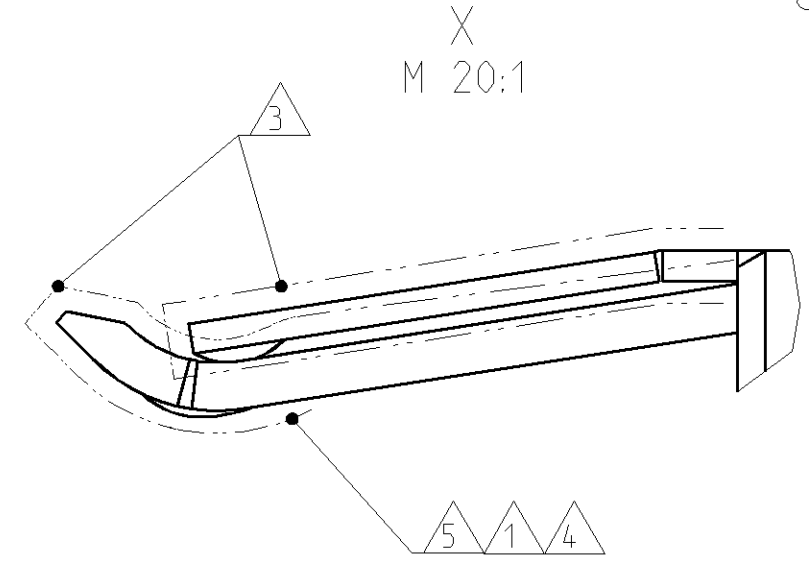
THIS DRAWING IS UNPUBLISHED. RELEASED FOR PUBLICATION 2008
 © COPYRIGHT 2008 ALL RIGHTS RESERVED.

| REVISONS | | DATE | DWN | APVD |
|----------|-----|--|-----------|-----------|
| P | LTR | DESCRIPTION | | |
| N1 | | DRAWING ADAPTED | 06APR2009 | Abr Brun |
| N2 | | REVISED PER ECO-11-005150 | 18MAY2011 | RK HMR |
| N3 | | NEW VERISON OF GOLD CONTACTS PRERMITTED. | 18MAY2011 | Kirs Mair |
| N4 | | OPTIONAL to note 8 TTD added. (area A3) | 29JUN2011 | Kirs Mair |

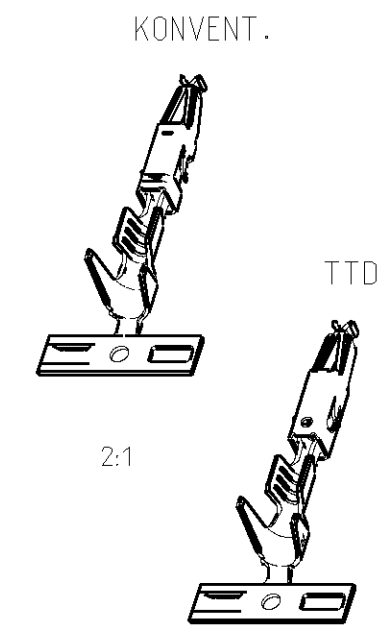
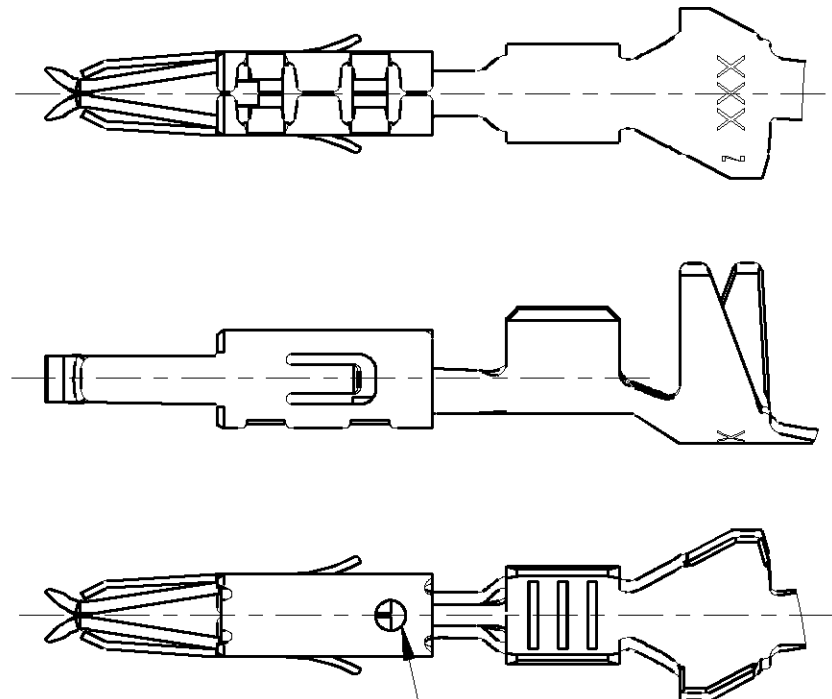
7 KONVENTIONELL



- NOTES
Bemerkungen
- 1 SELECTIVE GOLD PLATED MIN. 0.8µm OVER NI
selektiv vergoldet 0.8µm ueber Ni
 - 2 TIN PLATED MIN. 0.2µm OVER NI
verzinkt 0.2µm ueber Ni
 - 3 CONTACT SURFACE SEL. GOLD PLATED MIN. 0.8µm OVER NI
CANTILEVER SPRING COMPLETELY GOLD PLATED ON BOTH SIDES
sel. vergoldet auf der Kontaktobenseite 0.8µm min. ueber Ni
Ueberfeder komplett auf beiden Seiten vergoldet
 - 4 GAL. TIN PLATED MIN. 1.0µm OVER NI
gal. verzinkt 1.0µm ueber Ni
 - 5 SELECTIVE GOLD PLATED MIN. 1.27µm OVER NI
selektiv vergoldet 1.27µm min. ueber Ni
 - 6 WIRE RANGE : 0.5 - 1.0 mm²
INSULATION-Ø: 2.8 mm (SINGLE WIRE SEAL)
Drahtgroessenbereich: 0.5 - 1.0 mm²
Isolations-Ø: 2.8 mm (Einzeldichtung)



8 TWO TRACK DIE
M 5:1



| VERSION | LP NO | SURFACE / Oberflaeche | MATERIAL | PART NO | REV |
|---------|----------|-----------------------|----------|----------|-----|
| 8 7 | 963711-7 | 5 2 | CuFe2 | 962876-7 | B |
| 8 7 | 963711-6 | 3 4 2 | CuSn4 | 962876-6 | N |
| 8 7 | 963711-5 | 1 2 | CuFe2 | 962876-5 | N |
| 8 7 | 963711-3 | 1 2 | CuSn4 | 962876-3 | N |
| 8 | 963711-2 | PRETIN / vorverzinkt | CuFe2 | 962876-2 | N |
| 8 | 963711-1 | PRETIN / vorverzinkt | CuSn4 | 962876-1 | N |

THIS DRAWING IS A CONTROLLED DOCUMENT.

DWN R.Hofer 05-JAN-89
 CHK L.Nix 05-APR-89
 APVD M.Bleicher 25-JUN-08

STE TE Connectivity

MICRO TIMER 2 CONTACT WITH DOUBLE LOCKING LANCE mit doppelter Rastfeder

SIZE A2 CAGE CODE 00779 DRAWING NO. C-962876 RESTRICTED TO -

SCALE 10:1 SHEET 1 OF 1 REV N4

PRODUCT SPEC 108-18386
 APPLICATION SPEC 114-18081
 WEIGHT 0.3 g
 CUSTOMER DRAWING