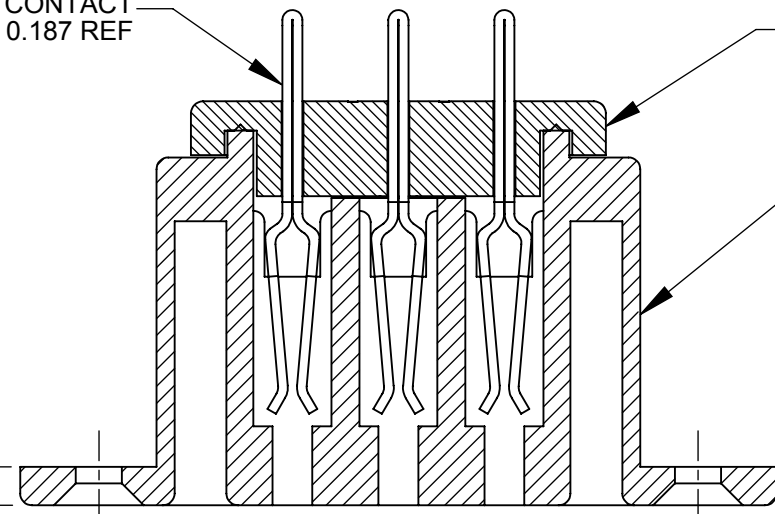


3X FEMALE CONTACT
0.055 X 0.187 REF

2X Ø0.120^{+0.003}
_{-0.001} THRU
∇ Ø0.234 X 90°

0.100
REF



SECTION A-A

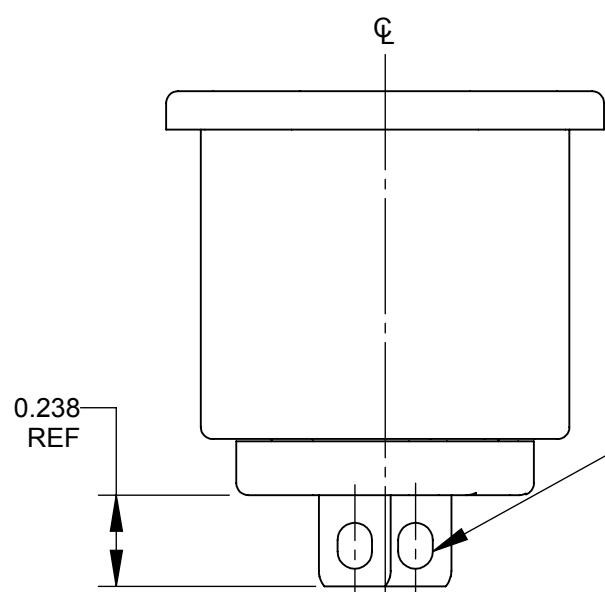
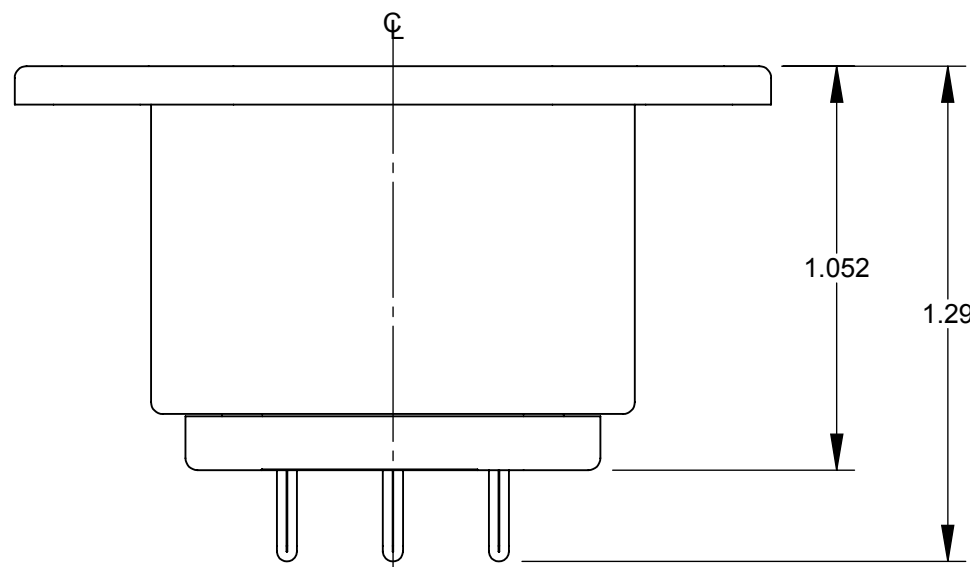
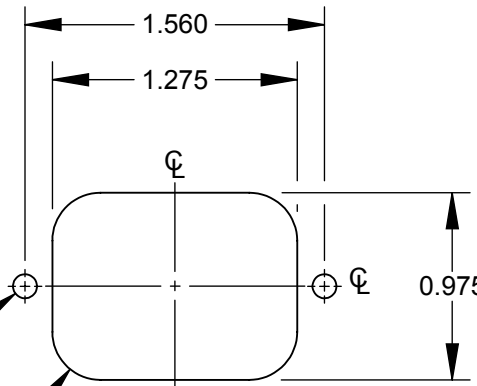
COVER

HOUSING

2X Ø0.125

4X R0.250

RECOMMENDED
FRONT MOUNTING CUT-OUT

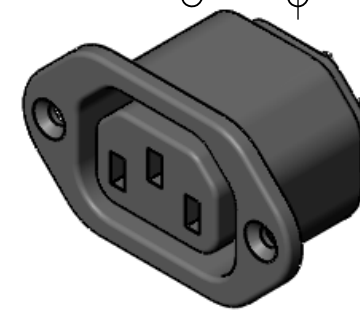
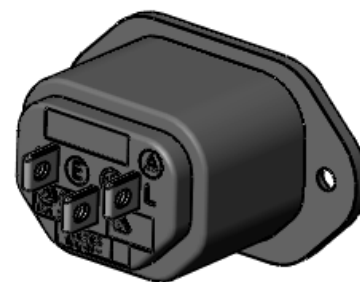


0.100
REF

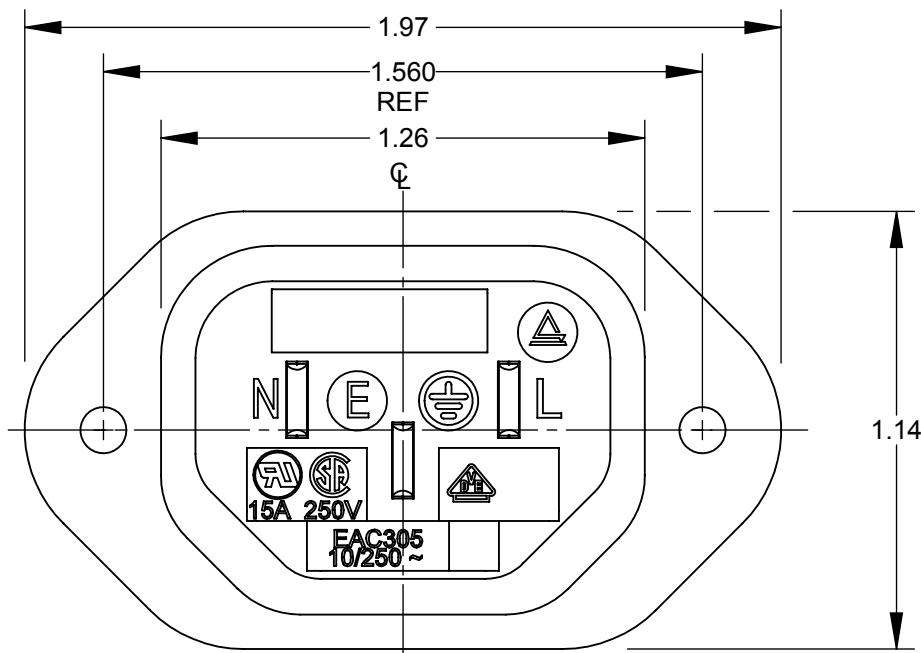
3X 0.090 X 0.120
SLOT

NOTES:

1. MEETS IEC 60320 SPECIFICATION.
2. AGENCY APPROVAL & RATING:
VDE: 10A, 250V AC.
UL & CSA: 15A, 250V AC.
3. MATERIALS:
HOUSING AND COVER, BLACK POLIESTER.
TERMINALS, TIN PLATED COPPER ALLOY.



CUSTOMER DRAWING



REV	ECO NUMBER	DATE	BY	APVD
G	26912	02/16/12	BL	TJK
F	24129	03/27/02	BL	TJK

UNLESS OTHERWISE SPECIFIED

1. ALL DIMENSIONS IN INCHES
- TWO PLACE DECIMALS ±0.02
- THREE PLACE DECIMALS ±0.005

DO NOT SCALE DRAWING

THIS DRAWING DESCRIBES A DESIGN CONSIDERED PROPRIETARY IN NATURE, DEVELOPED AND MANUFACTURED BY SWITCHCRAFT INC. AND IS RELEASED ON A CONFIDENTIAL BASIS FOR IDENTIFICATION PURPOSES ONLY.

SIZE	WIDTH	MULT	LBS/M	TEMPER
------	-------	------	-------	--------

FINISH	MATERIAL
SPEC No.	SPEC No.

FIRST USED ON	SCALE
	2:1

DATE DRAWN	BY	CHKD	APVD
07/14/77	CJ	AM	RV
		01/04/85	01/04/85

NAME	PART No.	REV
RECEPTACLE FEMALE	EAC305	G

Switchcraft®

SHEET 1 OF 1