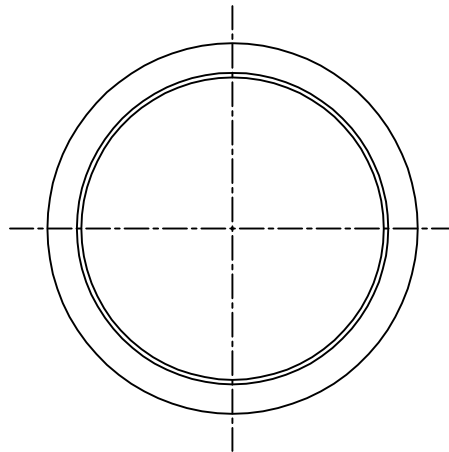
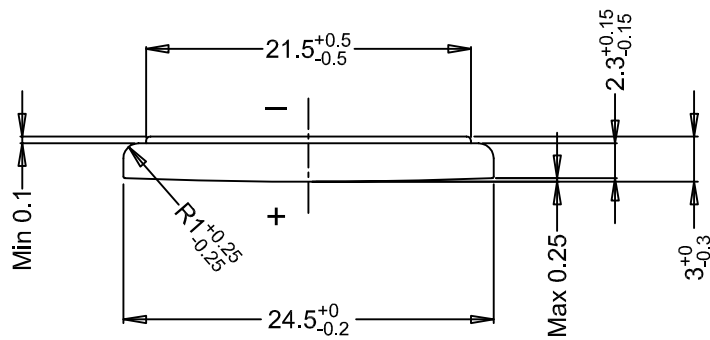
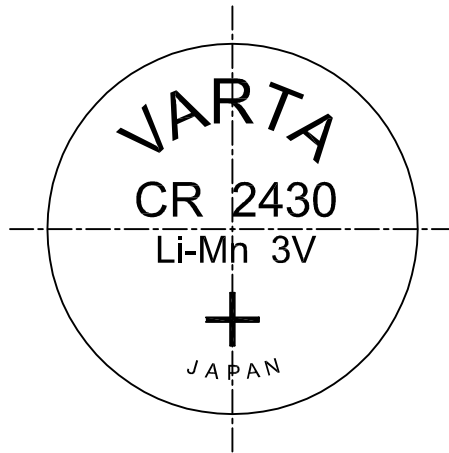


This is a controlled document.
 Hardcopy to be endorsed by authorised person.
 Check with Issuing Officer or SAP system for latest update.



No	AO No	Revisions	1	Date	Name
1	R048/10	Refer to Ellwangen dwg. #026842 rev. 02		2010-04-16	Syamsul
0		Refer to Ellwangen dwg. #026842		2002-04-30	Ratna

Projection:		Material: -		Description: CR2430 Cell with OEM packed		
Dimensions in mm		Prepared & Checked	Verified & Approved	Dwg. No:	004837	4 0 1
Tolerance: As specified		2002-04-30	Ratna	VKB Order No:	06430 101 501	
Scale: 2 : 1						

Rights reserved to make technical changes, as a result of further development, without notice. This drawing is the property of VARTA Microbattery and must not be copied or disclosed to a third party without the written consent of VARTA Microbattery.

