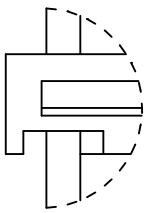
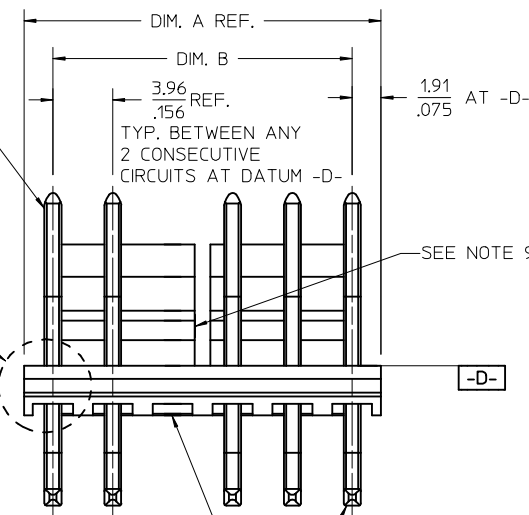


CENTERLINE OF PIN AT TIP NOT TO VARY FROM CENTERLINE OF PIN AT DATUM -D- BY MORE THAN 0.20 / .008 IN ANY DIRECTION.

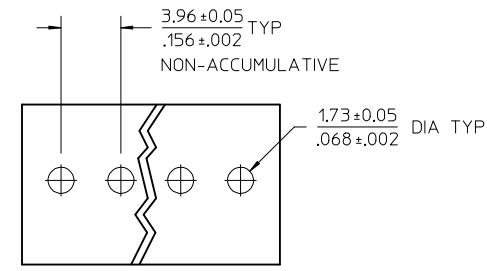
CENTERLINE OF PIN AT TIP NOT TO VARY FROM CENTERLINE OF PIN AT DATUM -E- BY MORE THAN 0.20 / .008 IN ANY DIRECTION.

OPTIONAL VOIDED CIRCUIT - SEE CHART FOR LOCATIONS
CIRCUIT 1 - SEE NOTE 10



DETAIL Z
SCALE 8:1

- NOTES:
- MATERIAL: HOUSING: NYLON, UL94V-2, IEC 60335-1 5TH EDITION GLOW WIRE CAPABLE, COLOR: BLACK
PINS: BRASS
 - FINISH: (197) = OVERALL REFLOWED MATTE TIN: 0.00152/.000060 MIN. OVER 0.00127/.000050 MIN. NICKEL OVERALL.
(208) = SELECT GOLD: 0.00038/.000015 MIN, SELECT MATTE TIN: 0.00254/.000100 MIN. BOTH OVER 0.00127/.000050 MIN NICKEL.
(228) = SELECT GOLD: 0.00076/.000030 MIN, SELECT MATTE TIN: 0.00254/.000100 MIN. BOTH OVER 0.00127/.000050 MIN NICKEL.
 - PRODUCT SPECIFICATION: PS-171813-0001, PS-171813-0002
 - PACKAGING INFORMATION: SEE CHART
 - SOLDERABILITY: PER SMES-152.
 - PIN PUSH-OUT FORCE: PRIOR TO SOLDERING, A 3 LB. MINIMUM FORCE IN EITHER DIRECTION
 - PARTS ARE STACKABLE END TO END ON 3.96/.156 CENTERS.
 - THIS PART CONFORMS TO CLASS B REQUIREMENTS OF COSMETIC SPECIFICATION PS-45499-002.
 - SLOTS ON BACKWALL ARE BETWEEN CIRCUITS. SEE CHART FOR LOCATIONS.
 - CIRCUIT 1 DESIGNATION IS USED TO DEFINE VOID LOCATION. CIRCUIT 1 MAY OR MAY NOT LINE UP WITH CIRCUIT 1 ON THE MATING HOUSING.
 - FEATURE MAY OR MAY NOT EXTEND ACROSS THE ENTIRE FACE OF THE PART. SEE DETAIL Z.



PCB LAYOUT: COMPONENT SIDE

CIRCUIT SIZE	DIM. A	DIM. B	SLOT LOCATION BETWEEN CIRCUITS
2	7.77 .306	3.96±0.05 .156±.002	NONE
3	11.73 .462	7.92±0.10 .312±.004	NONE
4	15.70 .618	11.89±0.15 .468±.006	NONE
5	19.66 .774	15.85±0.15 .624±.006	NONE
6	23.62 .930	19.81±0.18 .780±.007	3 & 4
7	27.58 1.086	23.77±0.18 .936±.007	4 & 5
8	31.55 1.242	27.74±0.20 1.092±.008	4 & 5
9	35.51 1.398	31.70±0.20 1.248±.008	5 & 6
10	39.47 1.554	35.66±0.23 1.404±.009	5 & 6
11	43.43 1.710	39.62±0.23 1.560±.009	6 & 7
12	47.40 1.866	43.59±0.25 1.716±.010	4 & 5 8 & 9

RELEASED IEC NO: UCP2013-1066 DRWN:MKIPPER 2012/09/14 CHKD:SSOUSEK 2012/09/14 APPR:FSMITH 2013/06/11	QUALITY SYMBOLS ∇=0 ∇=0 ∇=0	GENERAL TOLERANCES (UNLESS SPECIFIED)		DIMENSION STYLE MM/IN		SCALE 4:1	DESIGN UNITS INCH	THIRD ANGLE PROJECTION	
		mm	INCH	DRAWN BY	DATE	TITLE KK RPC .156 HEADER ASS'Y FRICITION LOCK RIGHT ANGLE W/O PEGS			
		4 PLACES ± ---	± ---	MKIPPER	2012/09/14	molex			
		3 PLACES ± ---	± .010	CHECKED BY	DATE	DOCUMENT NO. SD-171814-0001			
2 PLACES ± 0.25	± .015	SSOUSEK	2012/09/14	SHEET NO. 1 OF *					
1 PLACE ± 0.38	± ---	APPROVED BY	DATE	THIS DRAWING CONTAINS INFORMATION THAT IS PROPRIETARY TO MOLEX INCORPORATED AND SHOULD NOT BE USED WITHOUT WRITTEN PERMISSION					
0 PLACE ±	±	FSMITH	2013/06/11						
DRAFT WHERE APPLICABLE MUST REMAIN WITHIN DIMENSIONS		ANGULAR ±1/2°		SIZE C					

OPTIONS	Group	171814-0002/0012	Group	171814-1002/1012	Group	171814-2002/2012	Group	
	Plating:	197 – TIN	Plating:	208 – 15 GOLD	Plating:	228 – 30 GOLD	Plating:	
	Mating M	11.33 / .446	Mating M	11.33 / .446	Mating M	11.33 / .446	Mating M	
	Gold Loc G	N/A	Gold Loc G	6.85 / .270	Gold Loc G	6.85 / .270	Gold Loc G	
	Height Y	5.41 / .213	Height Y	5.41 / .213	Height Y	5.41 / .213	Height Y	
	PC Tail P	2.54/ .100	PC Tail P	2.54/ .100	PC Tail P	2.54/ .100	PC Tail P	
	Tin Loc T	OVERALL	Tin Loc T	5.08 / .200	Tin Loc T	5.08 / .200	Tin Loc T	
	Voided Ckts	NONE	Voided Ckts	NONE	Voided Ckts	NONE	Voided Ckts	
	Pack Per	PK-41792-002	Pack Per	PK-41792-002	Pack Per	PK-41792-002	Pack Per	
Ckts	Material No		Material No		Material No		Material No	
2	171814-0002		171814-1002		171814-2002			
3	171814-0003		171814-1003		171814-2003			
4	171814-0004		171814-1004		171814-2004			
5	171814-0005		171814-1005		171814-2005			
6	171814-0006		171814-1006		171814-2006			
7	171814-0007		171814-1007		171814-2007			
8	171814-0008		171814-1008		171814-2008			
9	171814-0009		171814-1009		171814-2009			
10	171814-0010		171814-1010		171814-2010			
11	171814-0011		171814-1011		171814-2011			
12	171814-0012		171814-1012		171814-2012			

REV:	<u>ECR/ECN INFORMATION:</u>	<u>TITLE:</u>	<u>SHEET No.</u>
A	EC No.: UCP2013-1066	KK RPC 156 HEADER ASSEMBLY FRICTION LOCK RIGHT ANGLE W/O PEGS	- 2 -
	DATE: 6/11/2013		
<u>DOCUMENT NUMBER:</u>	<u>CREATED / REVISED BY:</u>	<u>CHECKED BY:</u>	<u>APPROVED BY:</u>
SD-171814-0001	MKIPPER	SSOUSEK	FSMITH-ROEMER