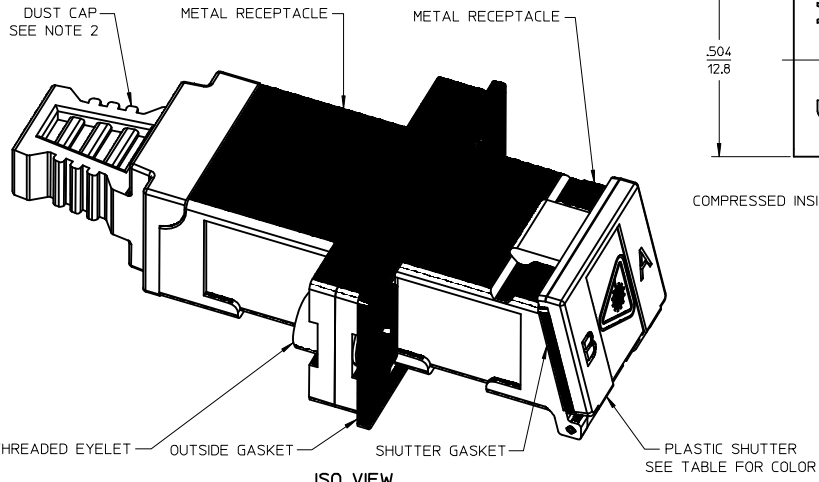
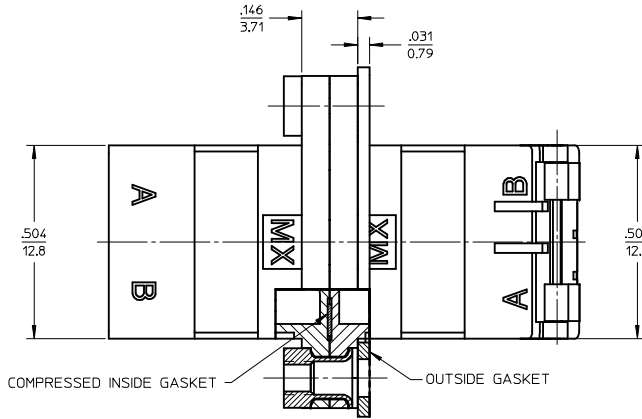
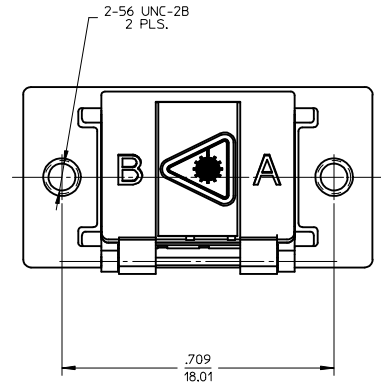
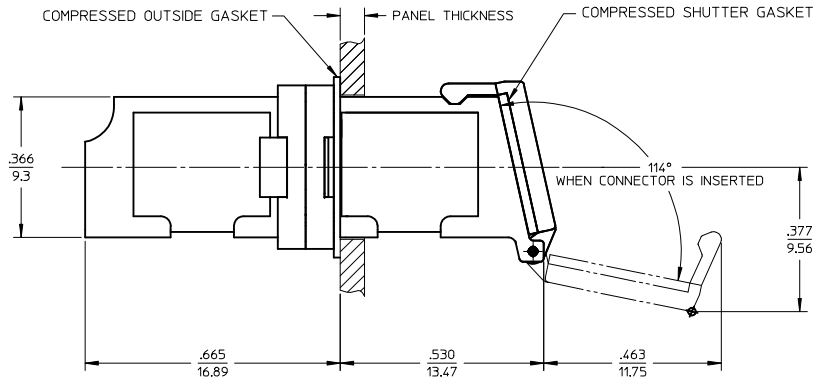
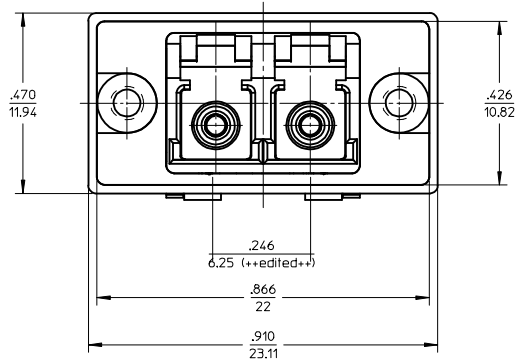
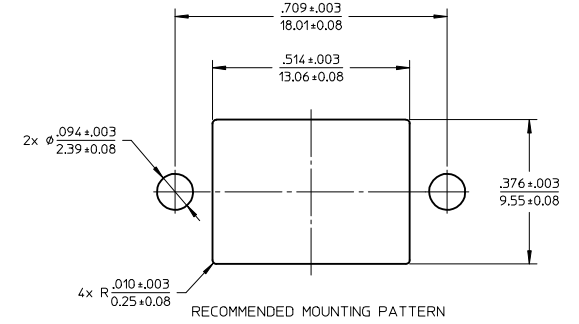


13	12	11	10	9	8	7	6	5	4	3	2	1
LCD ADAPTER P/N	LC SLEEVE MATERIAL	PLASTIC SHUTTER COLOR										
106127-0100	ZR	BLUE										
106127-0110	PH. BRONZE	BEIGE										



ISO VIEW



RECOMMENDED MOUNTING PATTERN

NOTES:

1. ALL DIMENSIONS ARE FOR REFERENCE.
2. DUST CAP SHOWN IN ISO VIEW ONLY.
3. LC DUPLEX ADAPTER HAS SC ADAPTER FOOTPRINT.
4. LC DUPLEX ADAPTER TO BE PACKAGED IN TRAY.

ENTER DESCRIPTION EC NO: MF2013-0742 DRWNY:YBENYAK 2013/05/30 CHKD: APPR:IGJMIN 2013/06/14 REV:	QUALITY SYMBOLS	GENERAL TOLERANCES (UNLESS SPECIFIED)	DIMENSION STYLE	SCALE	DESIGN UNITS	THIRD ANGLE PROJECTION
	▽=0	mm INCH	IN/MM	4:1	INCH	
	▽=0	4 PLACES ± --- ± ---	DRAWN BY DATE	TITLE		
	▽=0	3 PLACES ± --- ± ---	YBELENKIY 2010/09/30	SEALED LCD ADAPTER		
▽=0	2 PLACES ± --- ± ---	CHECKED BY DATE	DOCUMENT NO.			
	1 PLACE ± --- ± ---	APPROVED BY DATE	SD-106127-01X0			
	0 PLACE ± --- ± ---	WCHEN 2010/12/14	SHEET NO.			
	ANGULAR ± --- °	MATERIAL NO.	1 OF 1			
	DRAFT WHERE APPLICABLE MUST REMAIN WITHIN DIMENSIONS	SEE TABLE	THIS DRAWING CONTAINS INFORMATION THAT IS PROPRIETARY TO MOLEX INCORPORATED AND SHOULD NOT BE USED WITHOUT WRITTEN PERMISSION			