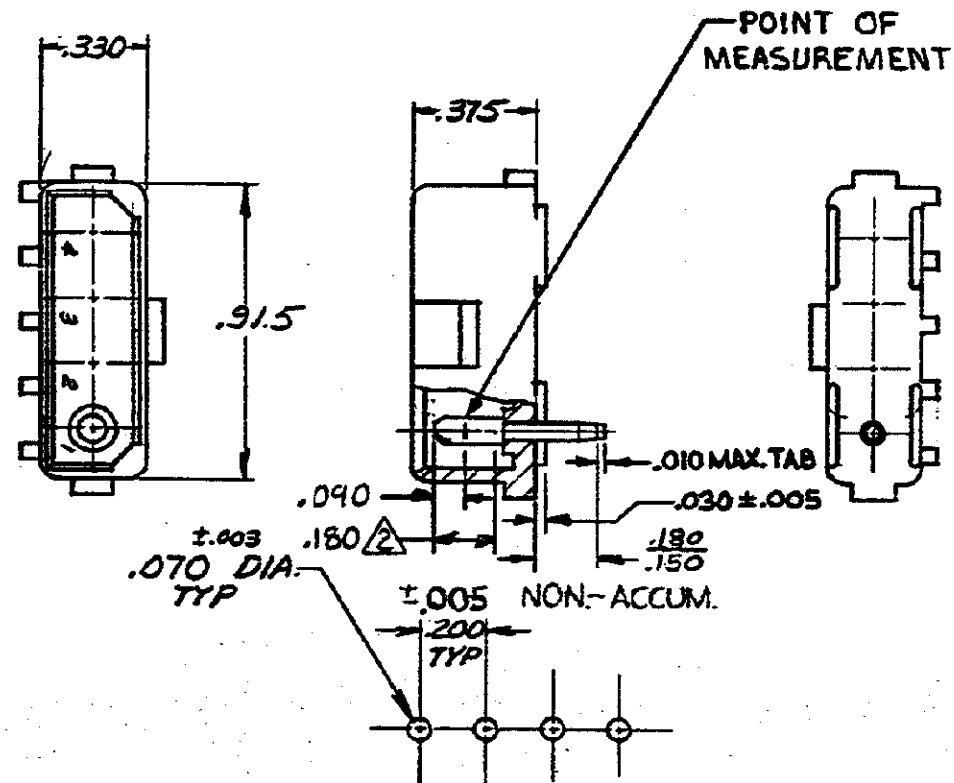


S  
WAS P-73-6103



RECOMMENDED LAYOUT FOR  
.062 THICK P.C. BOARD

1. PARTS COMPLY WITH TE SOLDERABILITY SPEC. 109-11-3  
 2. CONTACT IS PLATED OVERALL WITH .000050 NICKEL, THEN .000030 GOLD OVER CONTACT LENGTH INDICATED AND TIN PLATED ON SOLDER TAIL END.

|  |                 |                       |
|--|-----------------|-----------------------|
|  |                 |                       |
|  |                 |                       |
| 5-350543-2                                       | NYLON - GREEN   | COPPER ALLOY-GOLD 2   |
|  |                 |                       |
|  |                 |                       |
|  |                 |                       |
| 350543-2   | NYLON - NATURAL | COPPER ALLOY - GOLD 2 |
|  |                 |                       |
|  |                 |                       |
|  |                 |                       |
|  |                 |                       |
|  |                 |                       |
|  |                 |                       |
|  |                 |                       |
|  |                 |                       |
|  |                 |                       |
|  |                 |                       |
| 350543-1   | NYLON - NATURAL | COPPER ALLOY PRE-TIN  |
| ASSEMBLY NO. HSG. MATL & COLOR PIN MATL & FINISH |                 |                       |

|     |                           |    |     |             |
|-----|---------------------------|----|-----|-------------|
| N2  | REVISED PER ECR-13-008342 | AV | RP  | 12 NOV 2013 |
| N1  | REVISED PER ECO-11-005294 | RK | HMR | 17 APR 11   |
| LTR | REVISION RECORD           | DR | CHK | DATE        |

| NUMBER | REQUIRED PER ASSEMBLY |          |  |        | CUSTOMER COPY REFERENCE ONLY   |  |  |
|--------|-----------------------|----------|--|--------|--|--|--|
|        | DESCRIPTION           | QUANTITY | MATERIAL                               | FINISH |  |  |  |
|        |                       |          |  |        |  |  |  |
| 53     | DR                    | 9-30-73  | MATERIAL AND FINISH                    |        | <div style="display: flex; align-items: center;"> <div style="margin-left: 5px;">TE Connectivity</div> </div> CLASS .064 DIA. PIN<br>TYPE POSITIVE LOCK<br>NO 350543 |  |  |
|        | CHK                   | 4/10/73  | SEE TABLE                              |        |  |  |  |
|        | DE                    | 4-10-73  | WIRE - RANGE - INSULATION              |        | TOLERANCE EXCEPT AS NOTED ±.015  |  |  |
|        | APP                   | 4-10-73  | SCALE -H-                              |        | LOC CM B   |  |  |
|        | NAME                  |          | 4 CIRCUIT MATE-N-LOK P.C. BOARD HEADER |        |  |  |  |
|        |                       |          |  |        |  |  |  |

DIMENSIONS IN INCHES. DO NOT SCALE PRINT.