

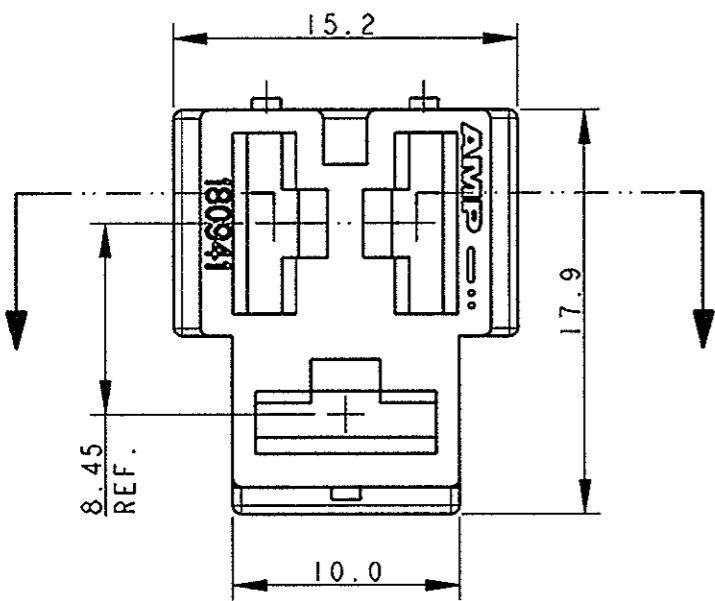
THIS DRAWING IS UNPUBLISHED.

RELEASED FOR PUBLICATION

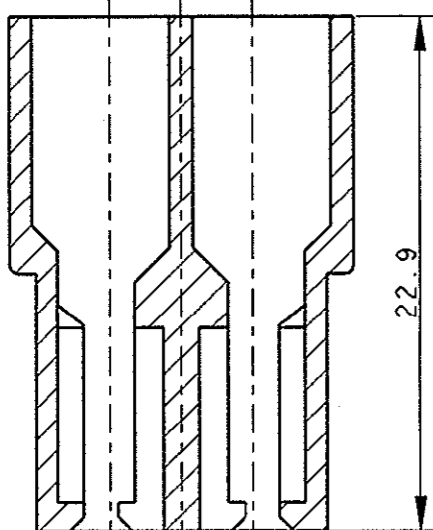
ALL RIGHTS RESERVED.

© COPYRIGHT

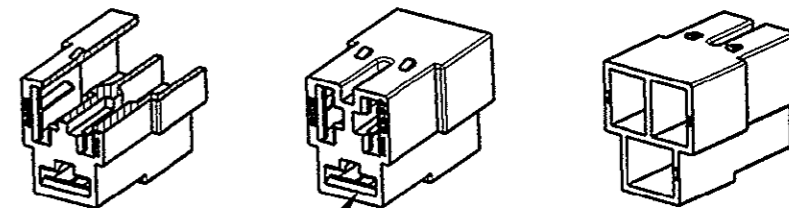
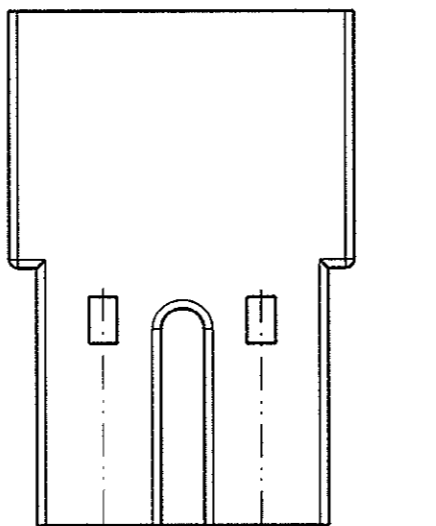
LOC	DIST	REVISIONS					
		P	LTR	DESCRIPTION	DATE	DWN	APVD
1	-	P7		REVISED PER ECO-11-005140	30MAR11	RK	HMR



SECTION A - A



6.3 REF.

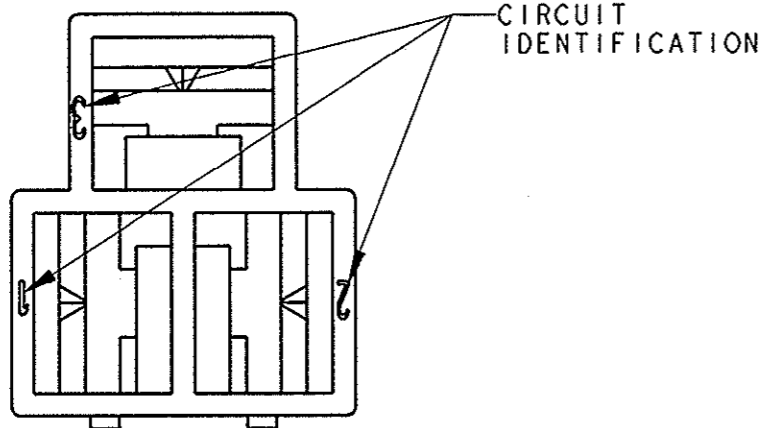


SCALE 1:1

TIPICA CAVITA' PER TERMINALE TE AMP
 FASTIN-FASTON SR. 6.35 mm
 (TYPICAL CAVITY FOR TE AMP CONTACT
 FASTIN-FASTON .250" SRS.)

- 1 PA 6.6 UNFILLED, UL 94-V2.
- 2 PA 6 UNFILLED, GLOW WIRE TEST AT 750°C
- 3 NON ANCORA RILASCIATO IN PRODUZIONE (NOT YET RELEASED FOR PRODUCTION)
- 4 OBSOLETE PARTS: OBSOLETE CIS STREAMLINING PER D.RENAUD/D.SINISI

4 OBSOLETE	NATURALE (NATURAL)	2	2-180941-0	P
	NATURALE (NATURAL)		1-180941-0	O
4 OBSOLETE	ARANCIONE (ORANGE)	1	0-180941-9	O
	VIOLA (VIOLET)		0-180941-8	O
	MARRONE (BROWN)		0-180941-6	P
	NERO (BLACK)		0-180941-5	P
4 OBSOLETE	GIALLO (YELLOW)	1	0-180941-4	O
	BLU (BLUE)		0-180941-3	O
	VERDE (GREEN)		0-180941-2	O
	ROSSO (RED)		0-180941-1	P
	NATURALE (NATURAL)		0-180941-0	P
NOTE	COLORE (COLOUR)	MATERIALE (MATERIAL)	PART NUMBER	REV



DWN H. YAALI 24JUL2002			
CHK C. TARTARI			
APVD -		NAME	
PRODUCT SPEC		FASTIN-FASTON* Connector,	
108-20020		.250" sr. REC HOUSING	
APPLICATION SPEC		3 WAY	
MATERIAL SEE TABLE		SIZE	RESTRICTED TO
FINISH -		A3	-
WEIGHT 2.3 g		CAGE CODE	00779
CUSTOMER DRAWING		DRAWING NO	C=180941
SCALE 3:1		SHEET	OF
REV P7			