

**MATERIAL :**

Shell: Zinc alloy nickel plated  
 Insert: PA 66 UL94 V0  
 Seal gasket: sealing IP67/69K: Nitril  
 sealing IP68/69K: Silicone  
 O'ring: nitril

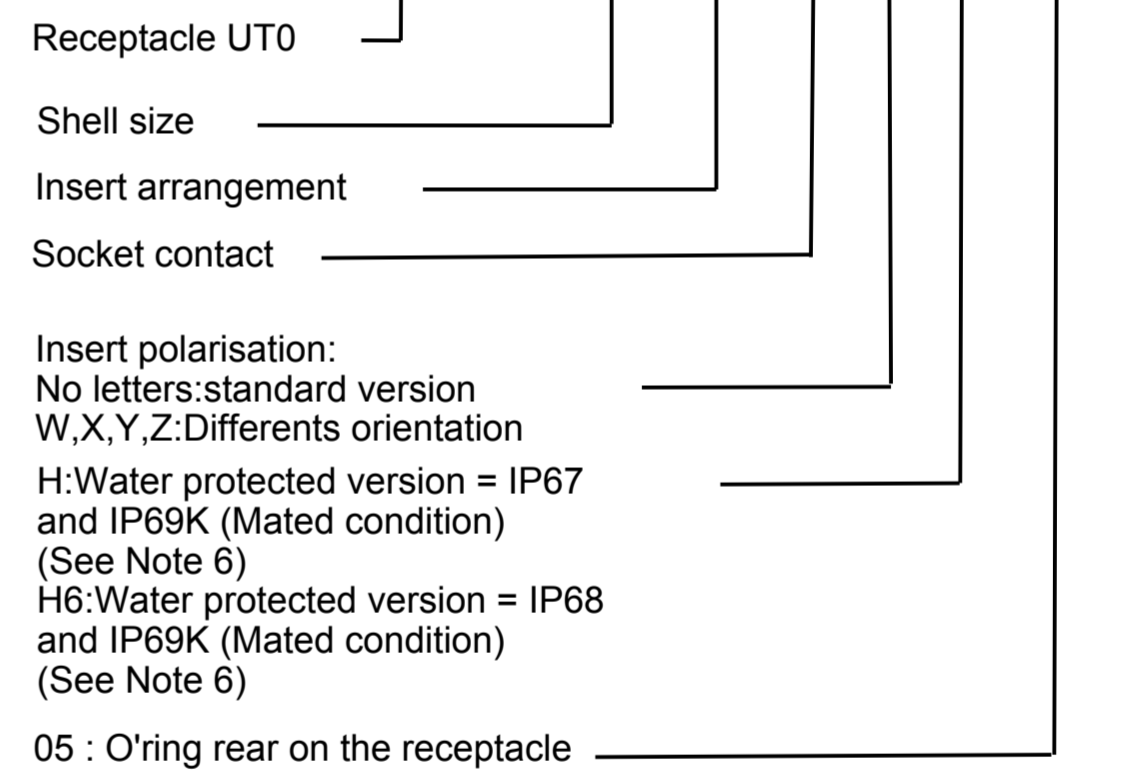
**PERFORMANCE CHARACTERISTICS :**

Operating temperature: -40°C up to 105°C  
 Insulation resistance: 5000 MΩ min  
 Test potential: 2000 Vrms  
 Corrosion salt spray: 96 hours  
 Durability: 500 matings and unmatings  
 Sealing IP67: Immersion under 1 meter of water (as per DIN 40050)  
 Sealing IP68: Immersion under 30 meters of water (as per DIN 40050)

**NOTES :**

- 1-Contact identification: refer to UT0-CONTACT-L-C02
- 2-Connector blocks accept size #16 socket contacts (strip formed, machined crimp and spill)
- 3-Contact to be ordered separately: refer to TRIM TRIO catalog
- 4-Dimension Ø P for front panel mounting (see to panel cut out)
- 5-Dimension Ø R for rear panel mounting (see to panel cut out)
- 6-To achieved Sealing condition : Add UTFD-- Sealing Gasket
- 7-Polarization of connector: refer to UT0-POLARIZATION-C01
- 8-Insert arrangements: refer to UT0-CONTACT-L-C02
- 9-Optional : Specification 05: O'Ring rear on the receptacle

**UT00 18 23 S - H XX**



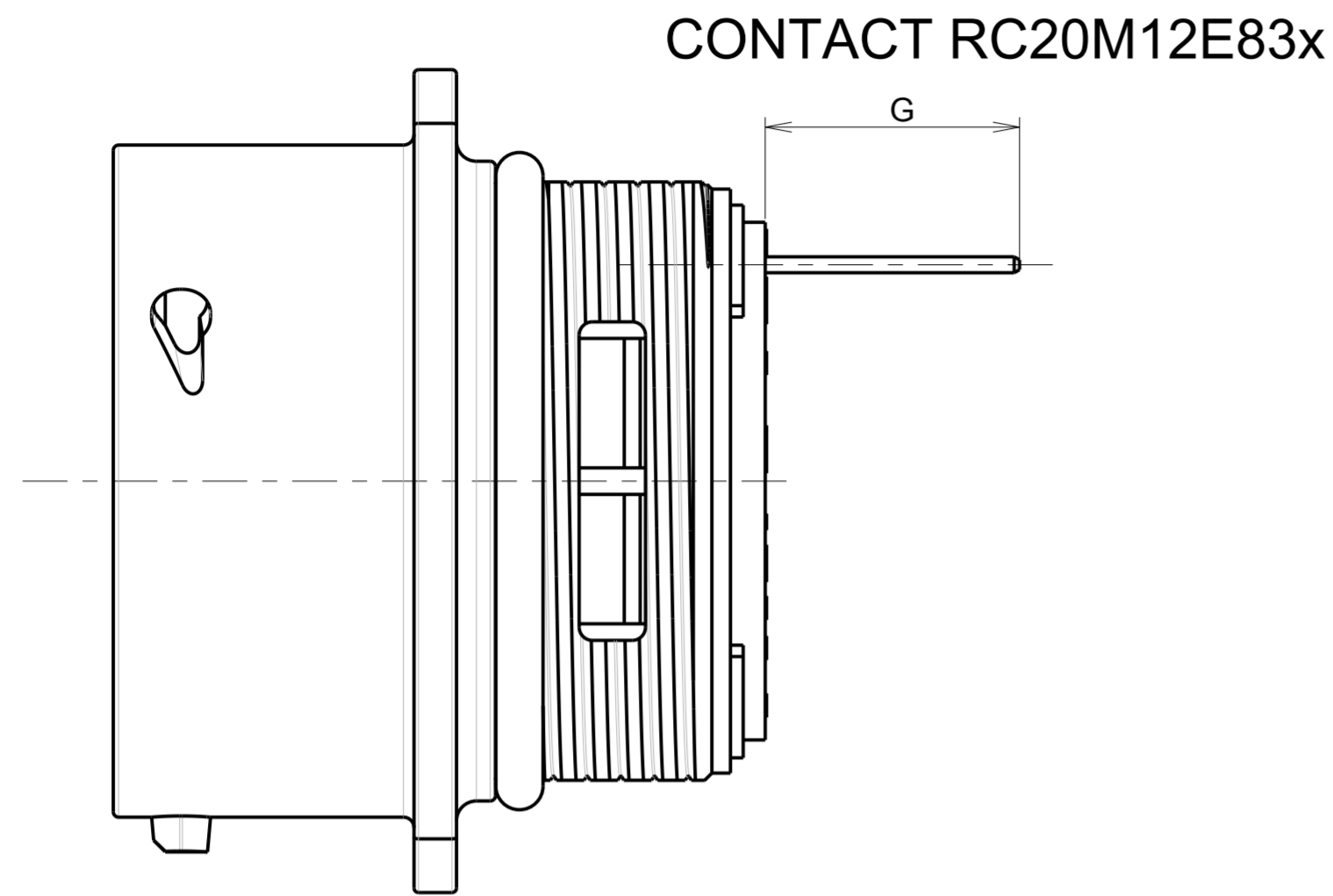
Part Number	Thread	A ±0.3	B	C max	D ±0.2	E ±0.35	F ±0.15
UT00104S-H	9/16-24 UNEF Class 2A	23.85	18.26	25.20	11.35	1.60	3.10
UT00128S-H	11/16-24 UNEF Class 2A	26.20	20.62	25.20	11.35	1.60	3.10
UT001412S-H	13/16-20 UNEF Class 2A	28.60	23.01	25.20	11.35	1.60	3.10
UT001619S-H	15/16-20 UNEF Class 2A	31.00	24.61	25.20	11.35	1.60	3.10
UT001823S-H	1" 1/16-18 UNEF Class 2A	33.30	26.97	25.20	11.35	1.60	3.10
UT002028S-H	1" 3/16-18 UNEF Class 2A	36.55	29.36	29.00	14.55	2.40	3.10
UT002235S-H	1" 5/16-18 UNEF Class 2A	39.75	31.75	29.00	14.55	2.40	3.10
UT002448S-H	1" 7/16-18 UNEF Class 2A	42.87	34.92	29.00	15.35	2.40	3.80

**P/N : UT00xxxxSxx**

**CUSTOMER DRAWING**

d	07/10/11	Update drawing, add specification 05		
ISS	DATE	Latest modification - by: J.FEURPRIER		MOD N°
Designed by: C.PROVOST		Date: 19/09/03	CUSTOMER DRAWING	
TITLE		PART NUMBER : UT00xxxxSxx CONNECTOR UT0		
Scale	6/1	General linear Tolerances: ± 0.2	NPRDS / PROJECT MSKI	
		WWW.SOURIAU.COM		This document is the property of SOURIAU. It must not be reproduced or communicated without permission.
FORMAT	A2	SOURIAU DRG N° UT00XX-XXSXX-C03		SHEET 1 / 2

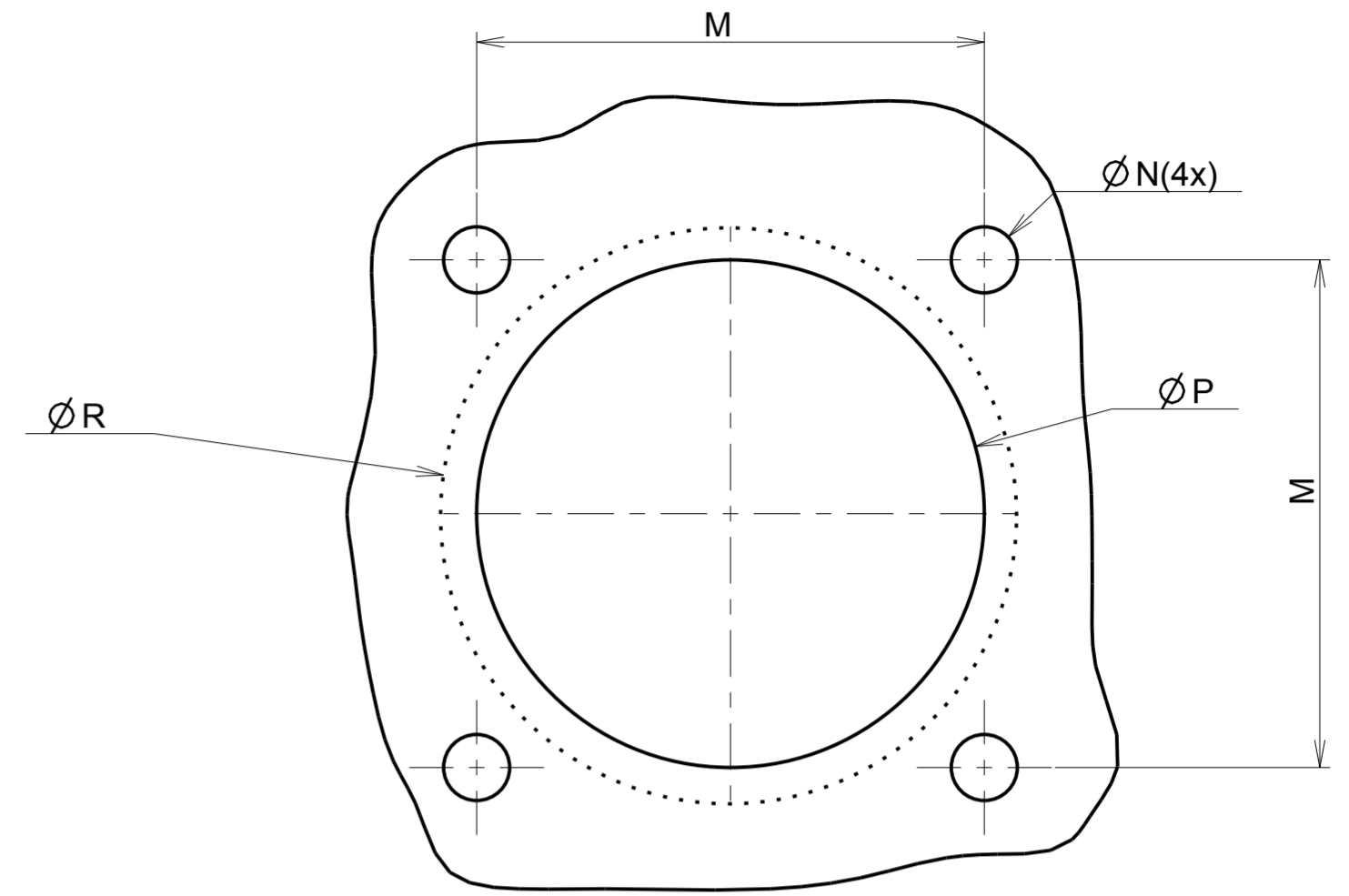
In case the connectors are equipped with dipsolder contacts



Contacts to be ordered separately

Part Number	G	
	min	max
UT00104S-H	7.54	9.45
UT00128S-H	7.54	9.45
UT001412S-H	7.54	9.45
UT001619S-H	7.54	9.45
UT001823S-H	7.54	9.45
UT002028S-H	6.05	7.96
UT002235S-H	5.35	7.26
UT002448S-H	5.35	7.26

### Panel Cut Out



Part Number	M ±0.25	Ø N ±0.1	Ø P ±0.1	Ø R ±0.1
UT00104S-H	18.26	3.20	14.20	17.30
UT00128S-H	20.62	3.20	18.40	21.85
UT001412S-H	23.01	3.20	21.50	25.00
UT001619S-H	24.61	3.20	24.60	28.10
UT001823S-H	26.97	3.20	27.80	31.35
UT002028S-H	29.36	3.20	30.95	34.50
UT002235S-H	31.75	3.20	34.10	37.70
UT002448S-H	34.92	3.90	37.30	40.90

-Dimension Ø P for front panel mounting (see to panel cut out)  
 -Dimension Ø R for rear panel mounting (see to panel cut out)

P/N : UT00xxxxSxx

d	07/10/11	Update drawing, add specification 05	
ISS	DATE	Latest modification - by:	J.FEURPRIER
Designed by:		C.PROVOST	Date: 19/09/03
TITLE		PART NUMBER : UT00xxxxSxx CONNECTOR UT0	
Scale	6/1	General linear Tolerances: ± 0.2	NPRDS / PROJECT MSKI
		WWW.SOURIAU.COM This document is the property of SOURIAU. It must not be reproduced or communicated without permission.	
FORMAT	A2	SOURIAU DRG N° UT00XX-XXSXX-C03	SHEET 2 / 2