

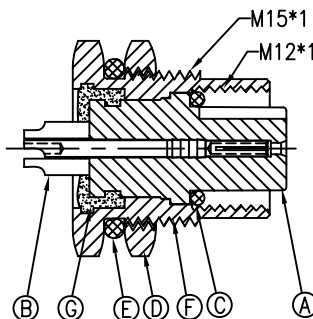
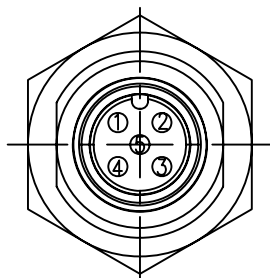
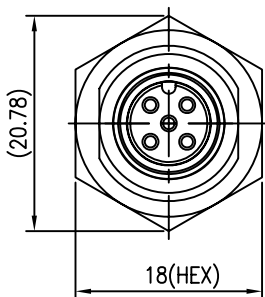
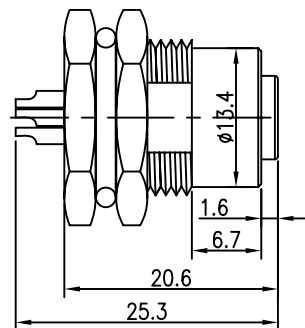
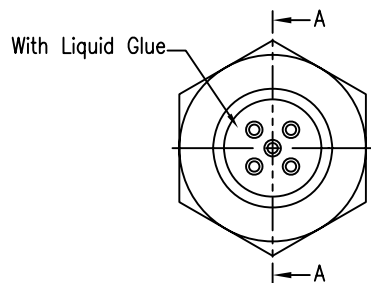
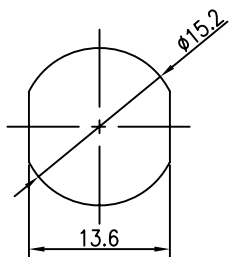


PART NO.

2MT3002-W05300

REVISIONS

ECN #	REV	DESCRIPTION	DRAWN	DATE	CHECKD	DATE	APPRVD	DATE
-	1.0	RELEASED	SS	10/12/13	ER	10/12/13	ER	10/12/13



Specifications:

Temperature Range : -40°C to +100°C
 Rating : 60V AC/DC 5A
 Dielectric Withstanding Voltage : 500V AC for one minute
 Panel Thickness : 4mm Max.
 Waterproof Rate : IP68
 IP68: Immersed in 1m Water for 24 hours

No.	Description	Qty	Material	Plating & Colour
A	Body	1	Nylon+33%GF	Black
B	Female Pin	-	Phosphor Bronze Alloy	6µ" Gold Plated over Nickel Plating
C	O-Ring	1	Viton	Red
D	Nut		Brass	Nickel Plating 100µ"
E	O-Ring	1	EPDM	Black
F	Shield		Brass	Nickel Plating 100µ"
G	Liquid Glue			Black

Dimensions : Millimetres

Part Number Table

Description	Part Number
Receptacle, Panel Mount, 5A, 5 Way	2MT3002-W05300

www.element14.com
 www.farnell.com
 www.newark.com

Important Notice : This data sheet and its contents (the "Information") belong to the members of the Premier Farnell group of companies (the "Group") or are licensed to it. No licence is granted for the use of it other than for information purposes in connection with the products to which it relates. No licence of any intellectual property rights is granted. The Information is subject to change without notice and replaces all data sheets previously supplied. The Information supplied is believed to be accurate but the Group assumes no responsibility for its accuracy or completeness, any error in or omission from it or for any use made of it. Users of this data sheet should check for themselves the Information and the suitability of the products for their purpose and not make any assumptions based on information included or omitted. Liability for loss or damage resulting from any reliance on the Information or use of it (including liability resulting from negligence or where the Group was aware of the possibility of such loss or damage arising) is excluded. This will not operate to limit or restrict the Group's liability for death or personal injury resulting from its negligence. Multicomp is the registered trademark of the Group. © Premier Farnell plc 2012.

TOLERANCES: UNLESS OTHERWISE SPECIFIED, DIMENSIONS ARE FOR REFERENCE PURPOSES ONLY.	DRAWN BY:	DATE:
	SS	10/12/13
	CHECKED BY:	DATE:
	ER	10/12/13
	APPROVED BY:	DATE:
	ER	10/12/13

DRAWING TITLE: Waterproof Connector Panel Mount Receptacle			
SIZE A4	DWG NO. 2MT3002-W05300	ELECTRONIC FILE 0001	REV 1.0
SCALE: NTS		U.O.M.: mm	SHEET: 1 of 1