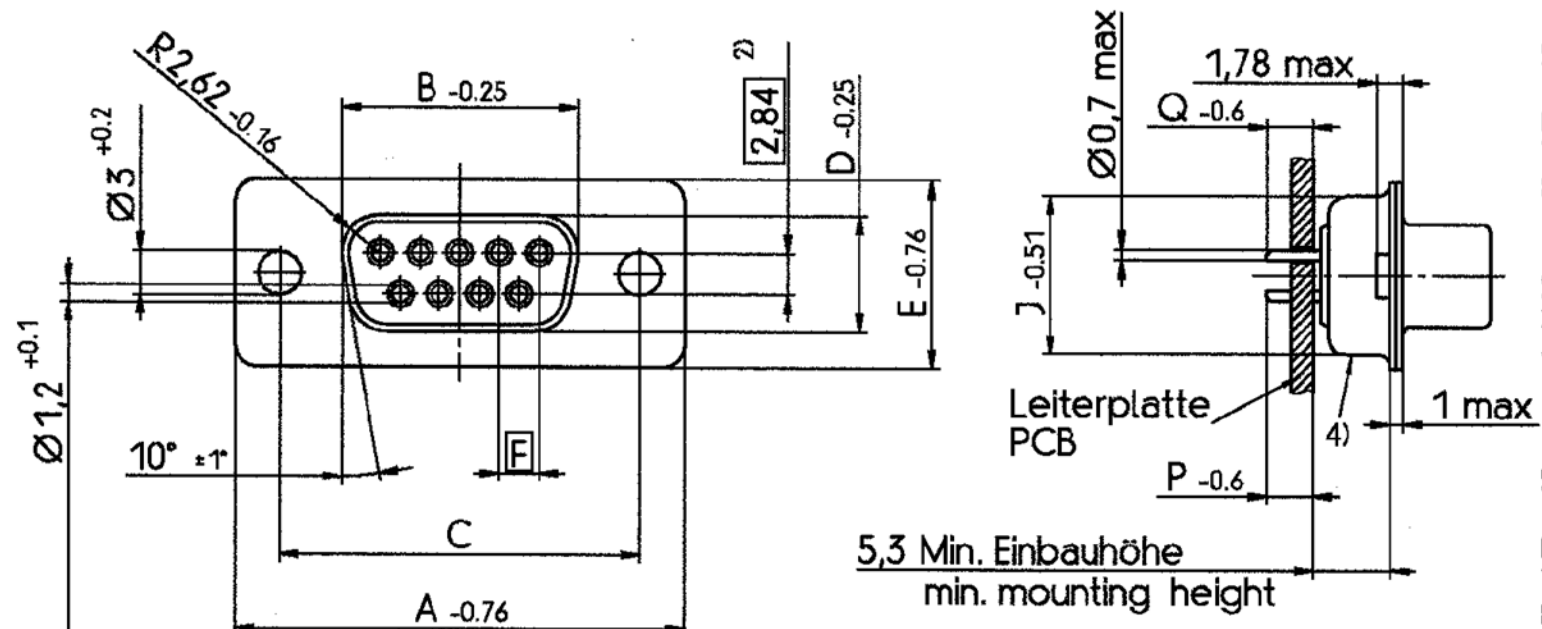


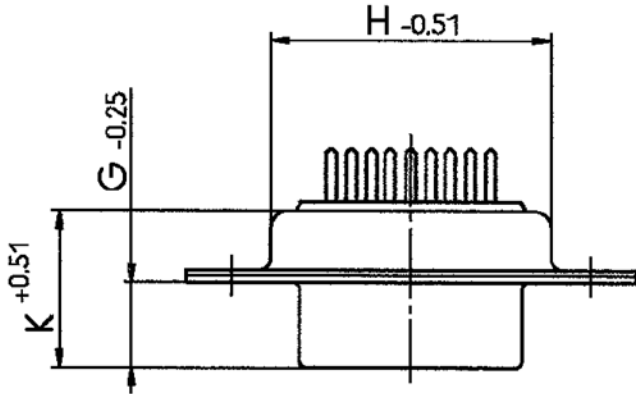
THIS INFORMATION IS CONFIDENTIAL AND PROPRIETARY TO TYCO ELECTRONICS CORPORATION AND ITS WORLDWIDE SUBSIDIARIES AND AFFILIATES. IT MAY NOT BE DISCLOSED TO ANYONE, OTHER THAN TYCO ELECTRONICS PERSONNEL, WITHOUT WRITTEN AUTHORIZATION FROM TYCO ELECTRONICS CORPORATION, HARRISBURG PENNSYLVANIA USA

Standardausführung: V42254-A2115-B\*\*\* V42254-A2415-B\*\*\* 3)  
 standard type: V42254-A2117-B\*\*\* V42254-A2417-B\*\*\* 3)  
 V42254-A2315-B\*\*\* V42254-A2515-B\*\*\* 3)  
 V42254-A2317-B\*\*\* V42254-A2517-B\*\*\* 3)

- 1) nach DIN 41652 T.2 und T.4
  - 2) Bemerkung: 50-polig: dreireihig
  - 3) nicht für 50-polig
  - 4) keine TE-Beschriftung bei:  
 V42254-A2\*17-B\*\*\* V42254-A2132-B\*\*\* V42254-A2152-B\*\*\*  
 V42254-A2\*18-B\*\*\* V42254-A2133-B\*\*\* V42254-A2153-B\*\*\*  
 V42254-A2122-B\*\*\* V42254-A2142-B\*\*\*
  - 5) Rille zur optischen Erkennung der Bolzentypen mit M3-Gewinde
  - 6) Blechteile örtlich herunter gedrückt
  - 7) Nur bei Ausführung mit Lötstielänge P = 3,2mm
  - 8) Sicke nur bei den 4 äußeren Masselötstielen.
- 
- 1) according to DIN 41652 p.2 and p.4
  - 2) note: 50-contact version: 3 contact rows
  - 3) not for 50-contact version
  - 4) no TE-marking for:  
 V42254-A2\*17-B\*\*\* V42254-A2132-B\*\*\* V42254-A2152-B\*\*\*  
 V42254-A2\*18-B\*\*\* V42254-A2133-B\*\*\* V42254-A2153-B\*\*\*  
 V42254-A2122-B\*\*\* V42254-A2142-B\*\*\*
  - 5) groove in the stud bolts with M3 thread (visual recognition)
  - 6) shells pressed down locally
  - 7) only for versions with soldering-pin length of P = 3,2mm
  - 8) only the four corner grounding soldering-pins have a rib



alle Kontakte  
 all contacts  
 Ø 0.08



| Ordering code<br>Sachnr.<br>V42254-A2*1*- | dimension<br>Maß<br>Polzahl<br>No. of contacts | dimension |       |                             |       |       |      |     |       |       |       |  |
|-------------------------------------------|------------------------------------------------|-----------|-------|-----------------------------|-------|-------|------|-----|-------|-------|-------|--|
|                                           |                                                | A         | B     | C                           | D     | E     | F    | G   | H     | J     | K     |  |
| B*09                                      | 09                                             | 31.19     | 16.46 | 25.0 $\pm 0.12$<br>$-0.13$  | 8.02  | 12.93 | 2.74 | 6.3 | 19.53 | 10.97 | 10.64 |  |
| B*15                                      | 15                                             | 39.52     | 24.79 | 33.3 $\pm 0.15$<br>$-0.1$   | 8.02  | 12.93 | 2.74 | 6.3 | 27.76 | 10.97 | 10.64 |  |
| B*25                                      | 25                                             | 53.42     | 38.5  | 47.04 $\pm 0.13$<br>$-0.13$ | 8.02  | 12.93 | 2.76 | 6.3 | 41.53 | 10.97 | 10.64 |  |
| B*37                                      | 37                                             | 69.7      | 54.96 | 63.5 $\pm 0.13$<br>$-0.13$  | 8.02  | 12.93 | 2.76 | 6.3 | 57.96 | 10.97 | 10.64 |  |
| B*50                                      | 50 <sup>2)</sup>                               | 67.31     | 52.55 | 61.1 $\pm 0.14$<br>$-0.11$  | 10.87 | 15.75 | 2.76 | 6.3 | 55.58 | 13.82 | 10.64 |  |

| V42254-                  | P     | Q     |
|--------------------------|-------|-------|
| A211*-+***               | 3.2   | 3.2   |
| A231*-+***               | 5.55  | 5.55  |
| A241*-+*** <sup>3)</sup> | 1.55  | 1.55  |
| A251*-+*** <sup>3)</sup> | 13.65 | 14.05 |

Anforderungsstufe,  
 performance level<sup>1)</sup>

dargestellt wird die 9-polige Ausführung  
 drawn is the 9-contacts version

9 OBSOLETE PARTS: OBSOLETE CIS STREAMLINING PER D.RENAUD/D.SINISI  
 10 OBSOLETE

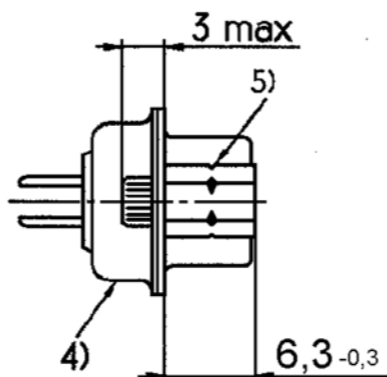
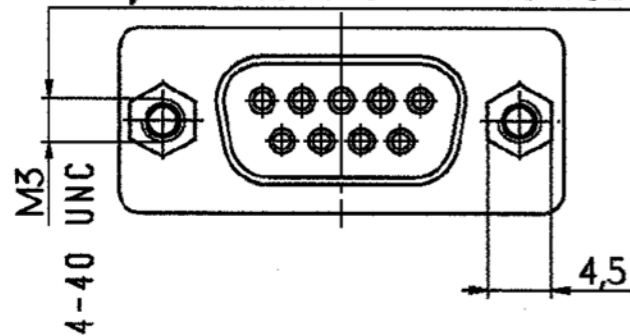
|                                    |               |                                         |           |                                                                                                |     |
|------------------------------------|---------------|-----------------------------------------|-----------|------------------------------------------------------------------------------------------------|-----|
| <b>TE</b> TE Connectivity          |               | SCALE 2:1                               |           | WEIGHT                                                                                         |     |
| LOC<br>GW                          |               | DIMENSIONS<br>IN MM                     |           | MATERIAL                                                                                       |     |
| DATE                               | 01.03.90      | PART NAME                               |           | Sub-D Loetstiften gerade<br>Buchsenleiste<br>D-Sub straight soldering pins<br>female connector |     |
| NAME                               | Embo          | PART NO.                                |           | V42254-A2***-B***-*-27                                                                         |     |
| DEP.                               | PE Com PE&SE  | TOLERANCE UNLESS<br>SPECIFIED OTHERWISE |           | SHT. 1+                                                                                        |     |
| REV. H                             | ECO-12-022105 | DATE                                    | 02JAN2013 | APP.                                                                                           | SLB |
| CHANGE ORDER                       |               | DATE                                    |           | APP.                                                                                           |     |
| Customer Drawing Nr. C-7-1393483-1 |               |                                         |           | OF 8                                                                                           |     |

THIS INFORMATION IS CONFIDENTIAL AND PROPRIETARY TO TYCO ELECTRONICS CORPORATION AND ITS WORLDWIDE SUBSIDIARIES AND AFFILIATES. IT MAY NOT BE DISCLOSED TO ANYONE, OTHER THAN TYCO ELECTRONICS PERSONNEL, WITHOUT WRITTEN AUTHORIZATION FROM TYCO ELECTRONICS CORPORATION, HARRISBURG PENNSYLVANIA USA

mit Gewindebolzen:  
with screwlock stud bolts:

- |     |           |                      |                      |
|-----|-----------|----------------------|----------------------|
| M3: | 4-40 UNC: | V42254-A2119-B***    | V42254-A2116-B***    |
|     |           | V42254-A2319-B***    | V42254-A2316-B***    |
|     |           | V42254-A2419-B*** 3) | V42254-A2416-B*** 3) |
|     |           | V42254-A2519-B*** 3) | V42254-A2516-B*** 3) |
|     |           | V42254-A2118-B***    | V42254-A2118-B***    |
|     |           | V42254-A2318-B***    | V42254-A2318-B***    |
|     |           | V42254-A2418-B*** 3) | V42254-A2418-B*** 3) |
|     |           | V42254-A2518-B*** 3) | V42254-A2518-B*** 3) |

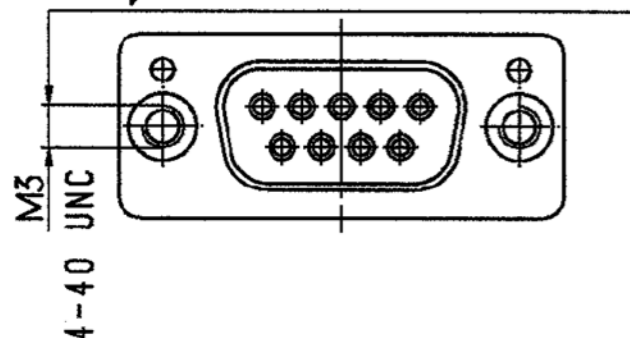
Verdrehsicherheit  $\geq 70$  Ncm  
torque retention  $\geq 70$  Ncm



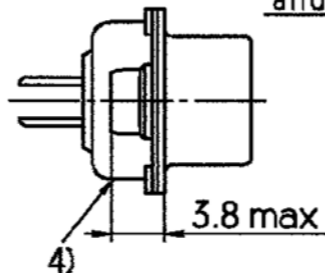
mit Stop-Mutter / Gewindeeinsatz:  
with thread:

- |     |           |                      |                      |
|-----|-----------|----------------------|----------------------|
| M3: | 4-40 UNC: | V42254-A2114-B*** 3) | V42254-A2112-B*** 3) |
|     |           | V42254-A2314-B*** 3) | V42254-A2312-B*** 3) |
|     |           | V42254-A2414-B***    | V42254-A2412-B***    |
|     |           | V42254-A2514-B***    | V42254-A2512-B***    |

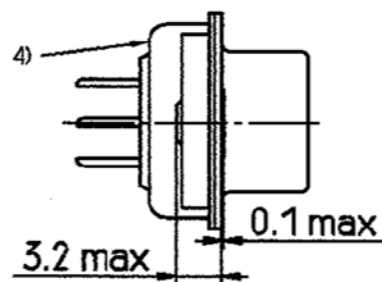
Verdrehsicherheit  $\geq 130$  Ncm  
torque retention  $\geq 130$  Ncm



mit Stop-Mutter (für 9-, 15-, 25- u. 37-pol Ausführung):  
with self locking press-in nuts (for 9-, 15-, 25- and 37-contacts versions):

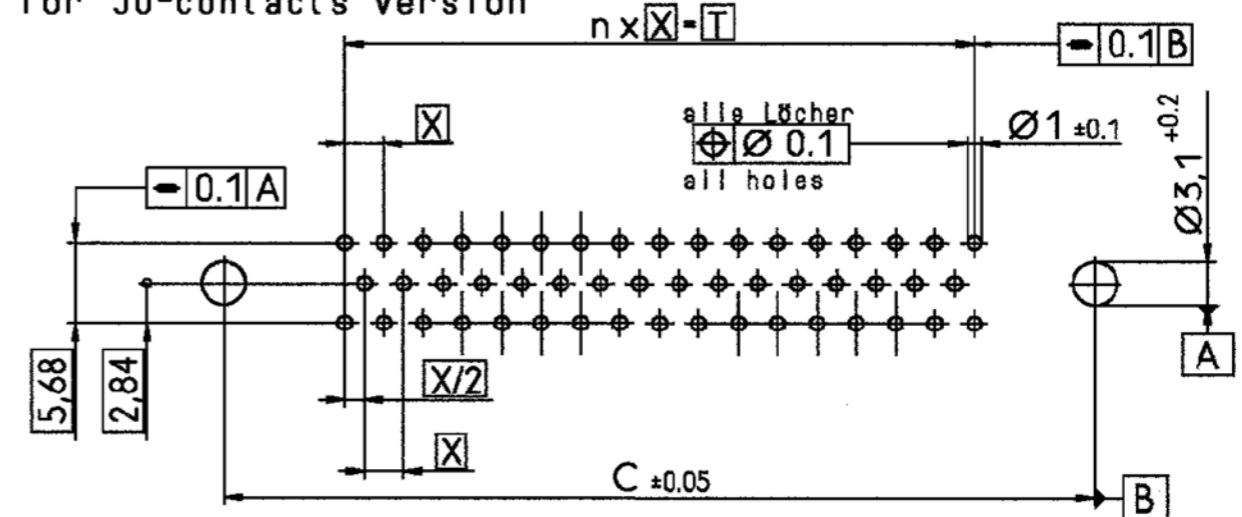
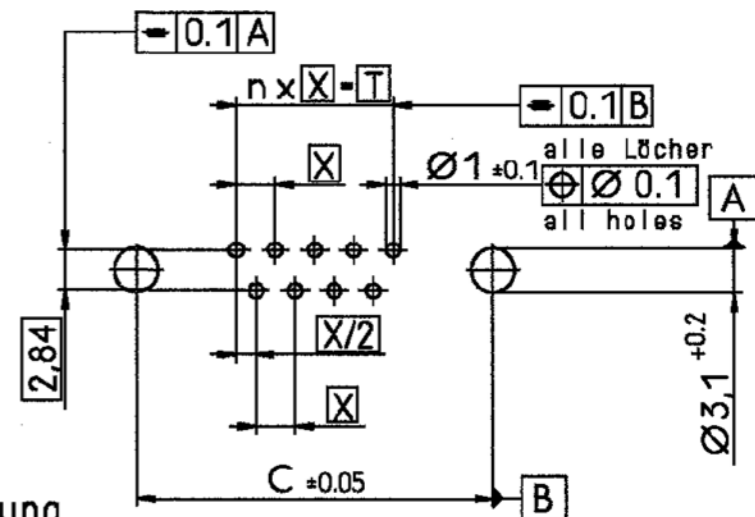


mit Gewindeeinsatz (nur für 50-pol. Ausführung):  
with thread insert (only for 50-contacts version):



Leiterplattenbohrung  
PCB layout

für 50-polige Ausführung  
for 50-contacts version



| Polzahl<br>No. of contacts | n  | Abmessungen in mm<br>dimensions in mm |       |      |
|----------------------------|----|---------------------------------------|-------|------|
|                            |    | C                                     | T     | X    |
| 9                          | 4  | 25.0                                  | 10.96 | 2.74 |
| 15                         | 7  | 33.3                                  | 19.18 | 2.74 |
| 25                         | 12 | 47.04                                 | 33.12 | 2.76 |
| 37                         | 18 | 63.5                                  | 49.68 | 2.76 |
| 50                         | 16 | 61.1                                  | 44.16 | 2.76 |

Erläuterungen: Seite 1  
dargestellt wird die 9-polige Ausführung  
remarks: see page 1  
drawn is the 9-contacts version

**TE** TE Connectivity

SCALE 2:1 WEIGHT

MATERIAL

LOC GW DIMENSIONS IN MM

DATE 01.03.90  
NAME Embo  
DEP. PE Com PE&SE

PART NAME Sub-D Loetstiften gerade  
Buchsenleiste  
D-Sub straight soldering pins  
female connector

PART NO. V42254-A2\*\*\*-B\*\*\*-\*-27 SHT. 2+

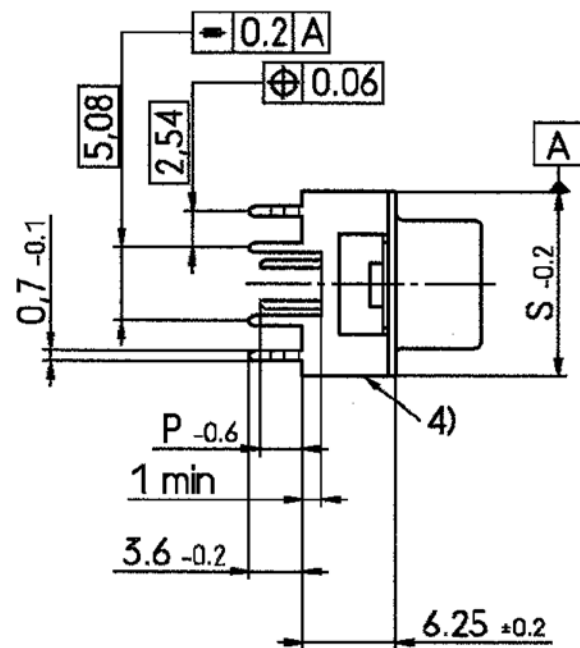
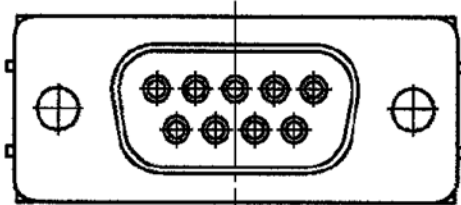
REV. CHANGE ORDER DATE APP. Customer Drawing Nr. C-7-1393483-1 OF 8

PROPRIETARY:

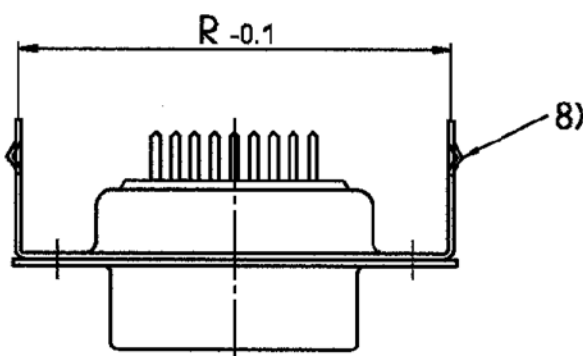
THIS INFORMATION IS CONFIDENTIAL AND PROPRIETARY TO TYCO ELECTRONICS CORPORATION AND ITS WORLDWIDE  
 SUBSIDIARIES AND AFFILIATES. IT MAY NOT BE DISCLOSED TO ANYONE, OTHER THAN TYCO ELECTRONICS PERSONNEL,  
 WITHOUT WRITTEN AUTHORIZATION FROM TYCO ELECTRONICS CORPORATION, HARRISBURG PENNSYLVANIA USA

mit Masselötstiften:  
 with grounding soldering pins: 3)

V42254-A2215-B\*\*\*  
 V42254-A2217-B\*\*\*  
 V42254-A2815-B\*\*\*  
 V42254-A2817-B\*\*\*



|            |      |
|------------|------|
| V42254-    | P    |
| A221*-+*** | 3.2  |
| A281*-+*** | 5.55 |



| Sachnr.<br>ordering code<br>V42254-A2*1*- | Polzahl<br>No. of contacts | dimension<br>Maß |      |
|-------------------------------------------|----------------------------|------------------|------|
|                                           |                            | R                | S    |
| B*09                                      | 09                         | 30.4             | 12.4 |
| B*15                                      | 15                         | 38.8             | 12.4 |
| B*25                                      | 25                         | 52.8             | 12.4 |
| B*37                                      | 37                         | 69.1             | 12.4 |

Anforderungsstufe,  
 performance level 1)

Erläuterungen: Seite 1  
 dargestellt wird die 9-polige Ausführung  
 remarks: see page 1  
 drawn is the 9-contacts version

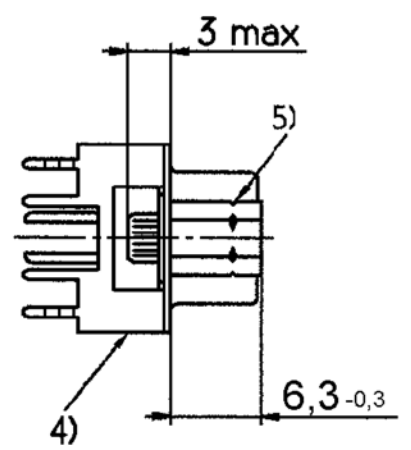
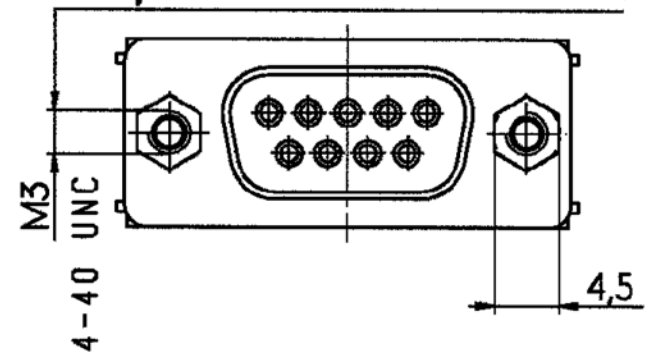
|                                      |           |                                                                                                          |         |
|--------------------------------------|-----------|----------------------------------------------------------------------------------------------------------|---------|
| <b>TE</b> TE Connectivity            |           | SCALE 2:1                                                                                                | WEIGHT  |
| DIMENSIONS IN MM                     |           | MATERIAL                                                                                                 |         |
| DATE 01.03.90                        | NAME Embo | PART NAME Sub-D Loetstiften gerade<br>Buchsenleiste<br>D-Sub straight soldering pins<br>female connector |         |
| DEP. PE Com PE&SE                    |           |                                                                                                          |         |
| TOLERANCE UNLESS SPECIFIED OTHERWISE |           |                                                                                                          |         |
| SEE SHEET 1                          |           | PART NO.                                                                                                 | SHT. 3+ |
| Customer Drawing Nr. C-7-1393483-1   |           | V42254-A2***-B***-*-27                                                                                   |         |
| REV. CHANGE ORDER                    | DATE      | APP.                                                                                                     | OF 8    |

THIS INFORMATION IS CONFIDENTIAL AND PROPRIETARY TO TYCO ELECTRONICS CORPORATION AND ITS WORLDWIDE  
 SUBSIDIARIES AND AFFILIATES. IT MAY NOT BE DISCLOSED TO ANYONE, OTHER THAN TYCO ELECTRONICS PERSONNEL,  
 WITHOUT WRITTEN AUTHORIZATION FROM TYCO ELECTRONICS CORPORATION, HARRISBURG PENNSYLVANIA USA

mit Masselötstiften und Gewindebolzen:  
 with grounding soldering-pins and screwlock stud bolts: 3)

M3: 4-40 UNC:  
 V42254-A2219-B\*\*\* V42254-A2216-B\*\*\*  
 V42254-A2218-B\*\*\*  
 V42254-A2819-B\*\*\* V42254-A2816-B\*\*\*  
 V42254-A2818-B\*\*\*

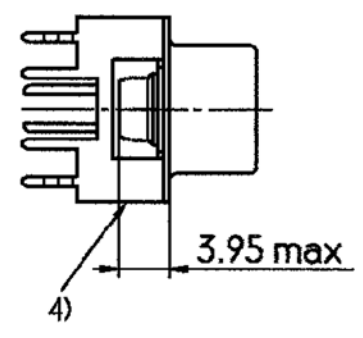
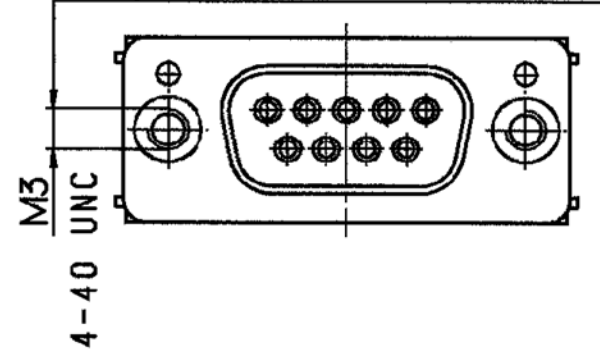
Verdrehsicherheit  $\geq 70$  Ncm  
 torque retention  $\geq 70$  Ncm



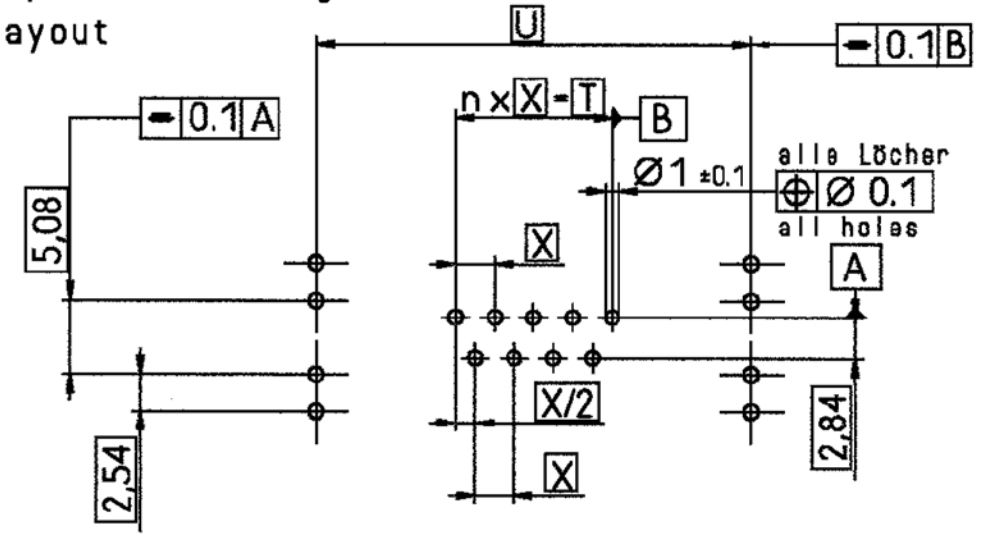
mit Masselötstiften und Stop-Mutter :  
 with grounding soldering-pins and thread: 3)

M3: 4-40 UNC:  
 V42254-A2214-B\*\*\* V42254-A2212-B\*\*\*  
 V42254-A2814-B\*\*\* V42254-A2812-B\*\*\*

Verdrehsicherheit  $\geq 130$  Ncm  
 torque retention  $\geq 130$  Ncm



Leiterplattenbohrung  
 PCB layout



| Polzahl<br>No. of contacts | n  | Abmessungen in mm<br>dimensions in mm |      |      |
|----------------------------|----|---------------------------------------|------|------|
|                            |    | T                                     | U    | X    |
| 9                          | 4  | 10.96                                 | 30.4 | 2.74 |
| 15                         | 7  | 19.18                                 | 38.8 | 2.74 |
| 25                         | 12 | 33.12                                 | 52.7 | 2.76 |
| 37                         | 18 | 49.68                                 | 69.1 | 2.76 |

Erläuterungen: Seite 1  
 dargestellt wird die 9-polige Ausführung  
 remarks: see page 1  
 drawn is the 9-contacts version

**TE Connectivity** DIMENSIONS IN MM

SCALE 2:1 WEIGHT

MATERIAL

DATE 01.03.90  
 NAME Embo  
 DEP. PE Com PE&SE

PART NAME Sub-D Loetstiften gerade  
 Buchsenteiste  
 D-Sub straight soldering pins  
 female connector

TOLERANCE UNLESS SPECIFIED OTHERWISE

PART NO. V42254-A2\*\*\*-B\*\*\*-\*-27 SHT. 4+

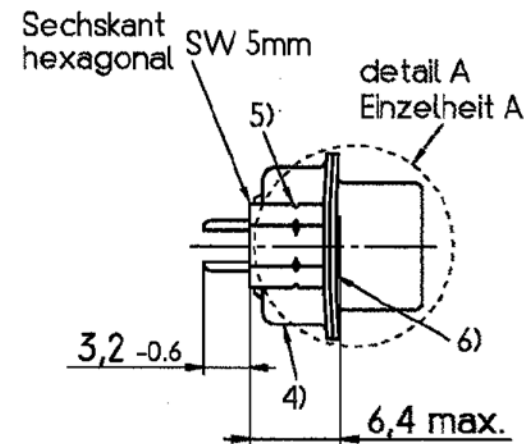
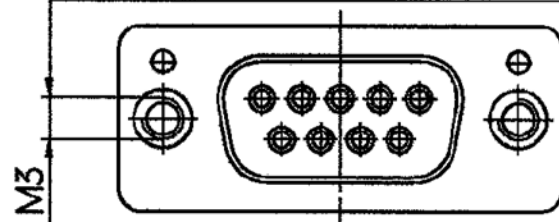
REV. CHANGE ORDER DATE APP. Customer Drawing Nr. C-7-1393483-1 OF 8

THIS INFORMATION IS CONFIDENTIAL AND PROPRIETARY TO TYCO ELECTRONICS CORPORATION AND ITS WORLDWIDE  
 SUBSIDIARIES AND AFFILIATES. IT MAY NOT BE DISCLOSED TO ANYONE, OTHER THAN TYCO ELECTRONICS PERSONNEL,  
 WITHOUT WRITTEN AUTHORIZATION FROM TYCO ELECTRONICS CORPORATION, HARRISBURG PENNSYLVANIA USA

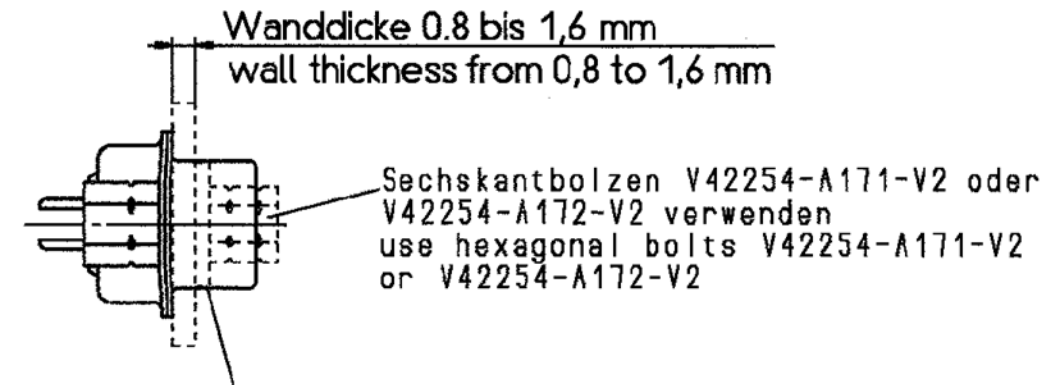
mit Distanzbolzen :  
with distance bolts: 7)

V42254-A2120-B\*\*\*  
V42254-A2122-B\*\*\*

Verdrehsicherheit  $\geq$  20 Ncm  
torque retention  $\geq$  20 Ncm



Montageart  
mounting type

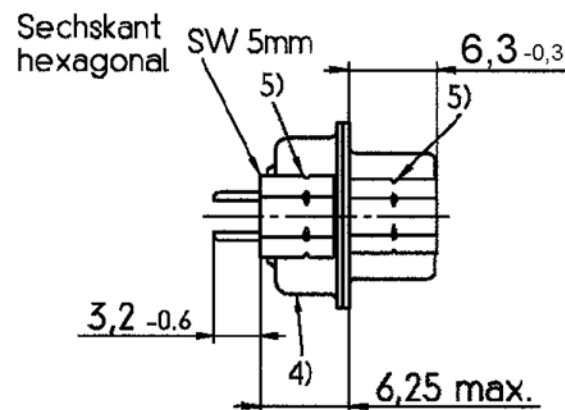
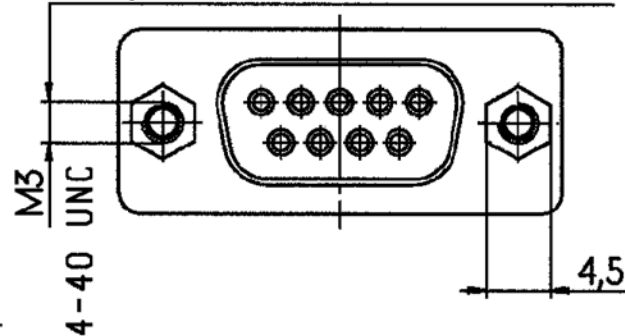


Falls notwendig Distanzscheiben verwenden  
if necessary, use washer(s)

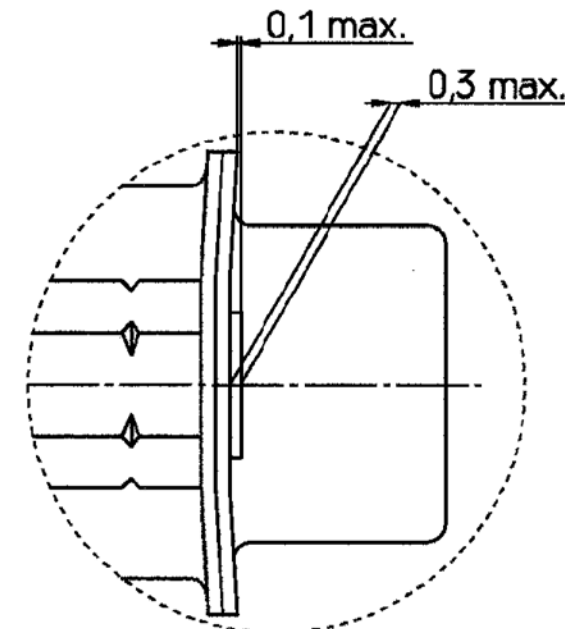
mit Gewinde- und Distanzbolzen:  
with screwlock stud bolts and distance bolts: 7)

|                   | Gewindebolzen<br>screwlock stud bolts | Distanzbolzen<br>distance bolts |
|-------------------|---------------------------------------|---------------------------------|
| V42254-A2130-B*** | M3                                    | M3                              |
| V42254-A2131-B*** | 4-40 UNC                              | M3                              |
| V42254-A2132-B*** | M3                                    | M3                              |
| V42254-A2133-B*** | 4-40 UNC                              | M3                              |

Verdrehsicherheit  $\geq$  80 Ncm  
torque retention  $\geq$  80 Ncm



Einzelheit A (5:1)  
detail A



Erläuterungen: Seite 1  
dargestellt wird die 9-polige Ausführung  
remarks: see page 1  
drawn is the 9-contacts version

|                                      |           |                                         |         |
|--------------------------------------|-----------|-----------------------------------------|---------|
| <b>TE</b> TE Connectivity            |           | SCALE 2:1                               | WEIGHT  |
| DIMENSIONS IN MM                     |           | MATERIAL                                |         |
| DATE 01.03.90                        | NAME Embo | PART NAME Sub-D Loetstiften gerade      |         |
| DEP. PE Com PE&SE                    |           | Buchsesteife                            |         |
|                                      |           | D-Sub straight soldering pins           |         |
|                                      |           | female connector                        |         |
| TOLERANCE UNLESS SPECIFIED OTHERWISE |           | PART NO.                                | SHT. 5+ |
| SEE SHEET 1                          |           | V42254-A2***-B***-*-27                  |         |
| REV. CHANGE ORDER                    | DATE      | APP. Customer Drawing Nr. C-7-1393483-1 | OF 8    |

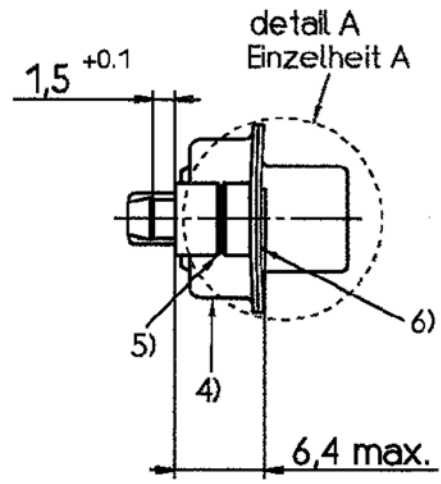
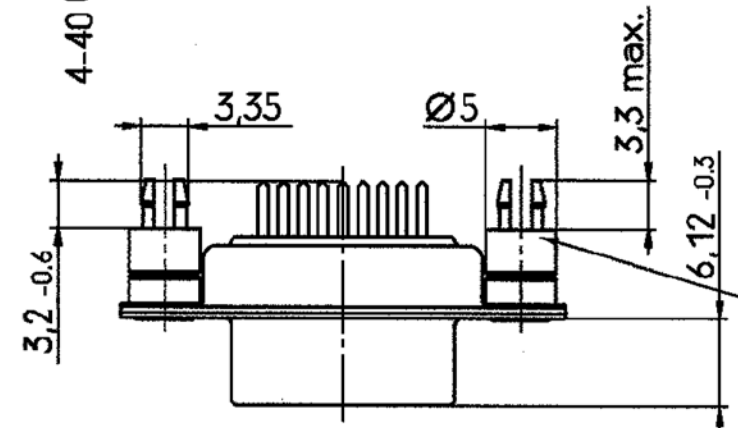
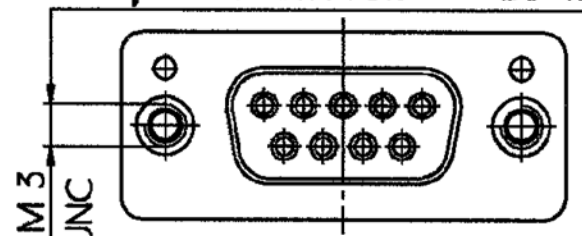


PROPRIETARY: THIS INFORMATION IS CONFIDENTIAL AND PROPRIETARY TO TYCO ELECTRONICS CORPORATION AND ITS WORLDWIDE SUBSIDIARIES AND AFFILIATES. IT MAY NOT BE DISCLOSED TO ANYONE, OTHER THAN TYCO ELECTRONICS PERSONNEL, WITHOUT WRITTEN AUTHORIZATION FROM TYCO ELECTRONICS CORPORATION, HARRISBURG PENNSYLVANIA USA

mit Distanzbolzen und Clip :  
with distance bolts and grounding socket: 7)

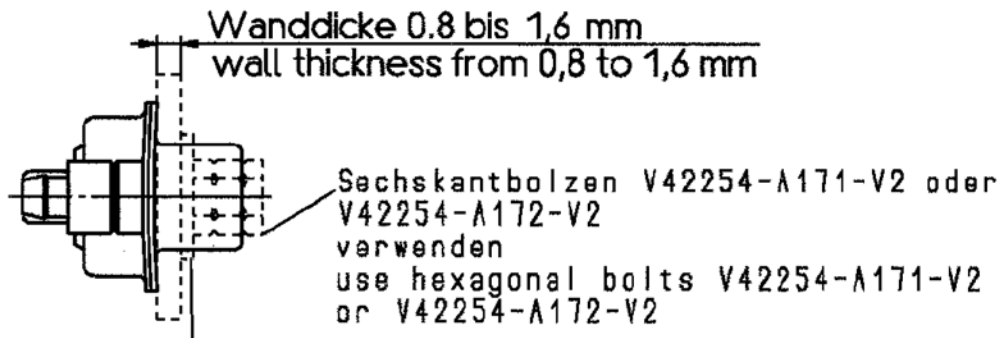
M3 : V42254-A2140-B\*\*\* 4-40 UNC : V42254-A2141-B\*\*\*  
V42254-A2142-B\*\*\*

Verdrehsicherheit  $\geq$  20 Ncm  
torque retention  $\geq$  20 Ncm



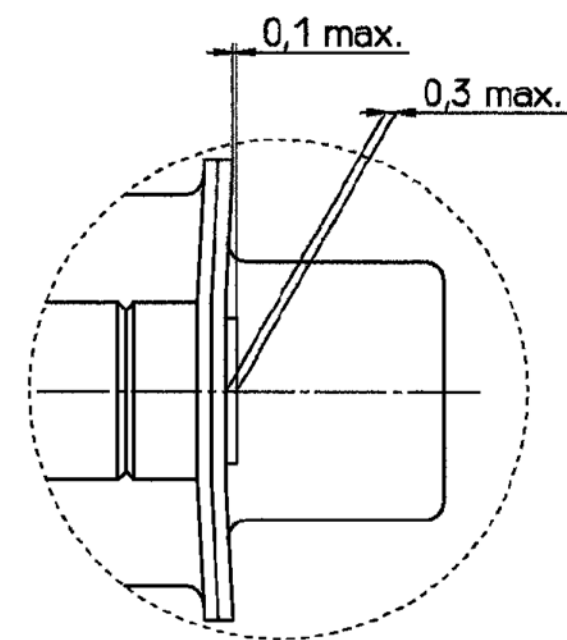
Clip für :  
grounding socket for:  
- Loch:  $\varnothing$  3,2  $^{+0.1}$   
hole:  
- LP-Dicke:  
PCB thickness: 1,5  $^{+0.1}$

Montageart  
mounting type



Falls notwendig Distanzscheiben verwenden  
if necessary, use washer(s)

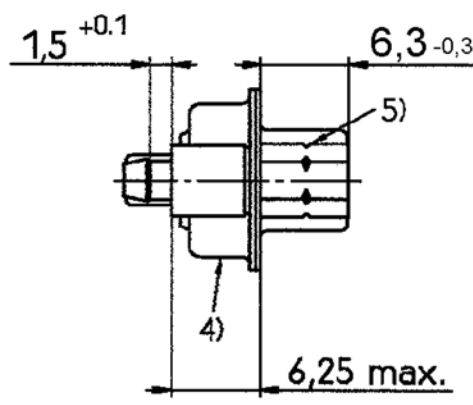
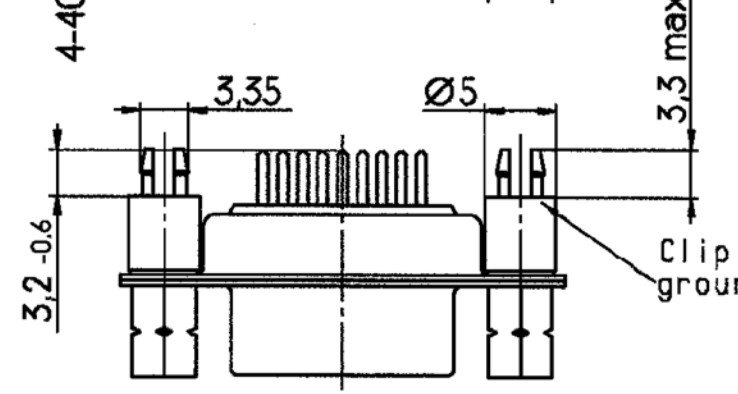
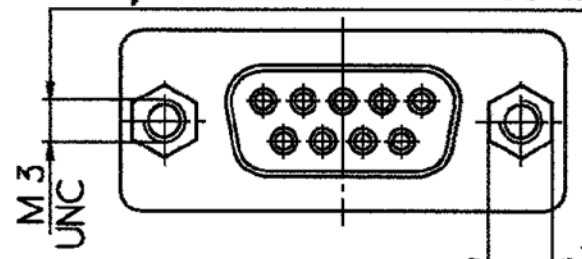
Einzelheit A (5:1)  
detail A



mit Gewinde- und Distanzbolzen mit Clip :  
with screwlock stud bolts and distance bolts and grounding socket: 7)

M3 : V42254-A2150-B\*\*\* 4-40 UNC : V42254-A2151-B\*\*\*  
V42254-A2152-B\*\*\* V42254-A2153-B\*\*\*

Verdrehsicherheit  $\geq$  80 Ncm  
torque retention  $\geq$  80 Ncm



Clip für :  
grounding socket for:  
- Loch:  $\varnothing$  3,2  $^{+0.1}$   
hole:  
- LP-Dicke:  
PCB thickness: 1,5  $^{+0.1}$

Erläuterungen: Seite 1  
dargestellt wird die 9-polige Ausführung  
remarks: see page 1  
drawn is the 9-contacts version

|                            |           |                                    |         |
|----------------------------|-----------|------------------------------------|---------|
| <b>STE</b> TE Connectivity |           | SCALE 2:1                          | WEIGHT  |
| DIMENSIONS IN MM           |           | MATERIAL                           |         |
| DATE 01.03.90              | NAME Embo | PART NAME Sub-D Loetstiften gerade |         |
| DEP. PE Com PE&SE          |           | Buchsenleiste                      |         |
|                            |           | D-Sub straight soldering pins      |         |
|                            |           | female connector                   |         |
| SEE SHEET 1                |           | PART NO. V42254-A2***-B***-27      | SHT. 6+ |
| REV. CHANGE ORDER          | DATE APP. | Customer Drawing Nr. C-7-1393483-1 | OF 8    |

V 4 2 2 5 4 - A 2 \* \* \* - B \* \* \*

| Anschlußauführung // connection type |                                                                                                           |
|--------------------------------------|-----------------------------------------------------------------------------------------------------------|
| 1                                    | Lötstiftlänge 3.2mm // soldering pin length 3.2mm                                                         |
| 2                                    | Lötstiftlänge 3.2mm mit Messelstiften 1) // soldering pin length 3.2mm with grounding soldering pins      |
| 3                                    | Lötstiftlänge 5.55mm // soldering pin length 5.55mm                                                       |
| 4                                    | Lötstiftlänge 1.55mm 1) // soldering pin length 1.55mm 1)                                                 |
| 5                                    | Lötstiftlänge 14.05mm 1) // soldering pin length 14.05mm 1)                                               |
| 6                                    | Lötstiftlänge 5.55mm mit Messelstiften 1) // soldering pin length 5.55mm with grounding soldering pins 1) |

| Steckerart // connector type |                                   |
|------------------------------|-----------------------------------|
| B                            | Buchsenleiste // female connector |

| Kontaktbarf/Bohe / Kontaktart // contact surface / contact type |                                                                                   |  |  |
|-----------------------------------------------------------------|-----------------------------------------------------------------------------------|--|--|
| 1                                                               | Anforderungsstufe 1 / gerollte Kontakte // performance level I / rolled contacts  |  |  |
| 2                                                               | Anforderungsstufe 2 / gerollte Kontakte // performance level II / rolled contacts |  |  |

| Polzahl // No. of contacts |             |             |
|----------------------------|-------------|-------------|
| 09                         | 9-polig //  | 9-contacts  |
| 15                         | 15-polig // | 15-contacts |
| 25                         | 25-polig // | 25-contacts |
| 37                         | 37-polig // | 37-contacts |
| 50                         | 50-polig // | 50-contacts |

PERFORMANCE LEVEL 2 CONTACT FINISH:  
Au or Au FLASH OVER PdNi

Steckverbinderunterschaltung // connector hardware

1\*

| Standardausführung + Ausführung mit Gewindeinsatz oder Gewindebolzen standard version + version with thread insert or screwlock stud bolts |                                                                |                                   |                                             |
|--------------------------------------------------------------------------------------------------------------------------------------------|----------------------------------------------------------------|-----------------------------------|---------------------------------------------|
|                                                                                                                                            | mit TE-Beschriftung auf Blechteil with TE-marking on the shell | mit Stopmutter with thread insert | mit Gewindebolzen with screwlock stud bolts |
| 12                                                                                                                                         | Ja // yes                                                      | 4-40UNC                           | nein // no                                  |
| 14                                                                                                                                         | Ja // yes                                                      | M3                                | nein // no                                  |
| 15                                                                                                                                         | Ja // yes                                                      | nein // no                        | nein // no                                  |
| 16                                                                                                                                         | Ja // yes                                                      | nein // no                        | 4-40UNC                                     |
| 17                                                                                                                                         | nein // no                                                     | nein // no                        | nein // no                                  |
| 18                                                                                                                                         | nein // no                                                     | nein // no                        | 4-40UNC                                     |
| 19                                                                                                                                         | Ja // yes                                                      | nein // no                        | M3                                          |

2\*

| Ausführung mit Distanzbolzen version with distance bolts |                              |                                                                |
|----------------------------------------------------------|------------------------------|----------------------------------------------------------------|
|                                                          | Distanzbolzen distance bolts | mit TE-Beschriftung auf Blechteil with TE-marking on the shell |
| 20                                                       | M3                           | Ja // yes                                                      |
| 22                                                       | M3                           | nein // no                                                     |

3\*

| Ausführung mit Gewindebolzen und Distanzbolzen version with screwlock stud bolts and distance bolts |                                             |                                       |                                                                |
|-----------------------------------------------------------------------------------------------------|---------------------------------------------|---------------------------------------|----------------------------------------------------------------|
|                                                                                                     | mit Gewindebolzen with screwlock stud bolts | mit Distanzbolzen with distance bolts | mit TE-Beschriftung auf Blechteil with TE-marking on the shell |
| 30                                                                                                  | M3                                          | M3                                    | Ja // yes                                                      |
| 31                                                                                                  | 4-40UNC                                     | M3                                    | Ja // yes                                                      |
| 32                                                                                                  | M3                                          | M3                                    | nein // no                                                     |
| 33                                                                                                  | 4-40UNC                                     | M3                                    | nein // no                                                     |

4\*

| Ausführung mit Distanzbolzen mit Clip version with distance bolts and grounding socket |                                       |                                                                |
|----------------------------------------------------------------------------------------|---------------------------------------|----------------------------------------------------------------|
|                                                                                        | mit Distanzbolzen with distance bolts | mit TE-Beschriftung auf Blechteil with TE-marking on the shell |
| 40                                                                                     | M3 + Clip grounding socket            | Ja // yes                                                      |
| 41                                                                                     | 4-40UNC + Clip grounding socket       | Ja // yes                                                      |
| 42                                                                                     | M3 + Clip grounding socket            | nein // no                                                     |

5\*

| Ausführung mit Gewindebolzen und Distanzbolzen mit Clip version with screwlock stud bolts and distance bolts and grounding socket |                                             |                                       |                                                                |
|-----------------------------------------------------------------------------------------------------------------------------------|---------------------------------------------|---------------------------------------|----------------------------------------------------------------|
|                                                                                                                                   | mit Gewindebolzen with screwlock stud bolts | mit Distanzbolzen with distance bolts | mit TE-Beschriftung auf Blechteil with TE-marking on the shell |
| 50                                                                                                                                | M3                                          | Clip grounding socket                 | Ja // yes                                                      |
| 51                                                                                                                                | 4-40UNC                                     | Clip grounding socket                 | Ja // yes                                                      |
| 52                                                                                                                                | M3                                          | Clip grounding socket                 | nein // no                                                     |
| 53                                                                                                                                | 4-40UNC                                     | Clip grounding socket                 | nein // no                                                     |

1) nicht für 50-polig  
2) nur für Lötstiftlänge 3.2mm  
1) not for 50-contacts version  
2) not for soldering pin length 3.2mm

THIS INFORMATION IS CONFIDENTIAL AND PROPRIETARY TO TYCO ELECTRONICS CORPORATION AND ITS WORLDWIDE SUBSIDIARIES AND AFFILIATES. IT MAY NOT BE DISCLOSED TO ANYONE, OTHER THAN TYCO ELECTRONICS PERSONEL, WITHOUT WRITTEN AUTHORIZATION FROM TYCO ELECTRONICS CORPORATION, HARRISBURG PENNSYLVANIA USA.


|                                      |      |                                         |              |
|--------------------------------------|------|-----------------------------------------|--------------|
| <b>TE</b> TE Connectivity            |      | SCALE                                   | WEIGHT       |
| DATE 01.03.90                        |      | MATERIAL                                |              |
| NAME Embo                            |      | PART NAME Sub-D Lötstiften gerade       |              |
| APP. EC CS CIPD                      |      | Buchsenleiste                           |              |
| TOLERANCE UNLESS SPECIFIED OTHERWISE |      | D-Sub straight soldering pins           |              |
| SEE SHEET 1                          |      | PART NO. V42254-A2***-B***-27           |              |
| REV. CHANGE ORDER                    | DATE | APP. Customer Drawing Nr. C-7-1393483-1 | 8-IT 7+ OF 8 |

THIS INFORMATION IS CONFIDENTIAL AND PROPRIETARY TO TYCO ELECTRONICS CORPORATION AND ITS WORLDWIDE SUBSIDIARIES AND AFFILIATES. IT MAY NOT BE DISCLOSED TO ANYONE, OTHER THAN TYCO ELECTRONICS PERSONNEL, WITHOUT WRITTEN AUTHORIZATION FROM TYCO ELECTRONICS CORPORATION, HARRISBURG PENNSYLVANIA USA

PROPRIETARY:

| TE PARTNUMBER          | OLD PARTNUMER (Description)             |          |
|------------------------|-----------------------------------------|----------|
| 1-1393484-0            | V42254A2140B125                         |          |
| 1-1393484-1            | V42254A2140B137                         | OBSOLETE |
| 1-1393484-2            | V42254A2140B209                         |          |
| 1-1393484-5            | V42254A2141B209                         |          |
| 1-1393484-6            | V42254A2141B215                         | OBSOLETE |
| <del>1-1393484-7</del> | V42254A2141B225                         | OBSOLETE |
| <del>1-1393484-8</del> | V42254A2141B237                         | OBSOLETE |
| 1-1393740-3            | V42254A2115B250                         |          |
| 1-1393740-7            | V42254A2212B209                         |          |
| <del>1-1393740-8</del> | V42254A2212B215                         | OBSOLETE |
| <del>1-1393740-9</del> | V42254A2212B225                         | OBSOLETE |
| <del>1393484-3</del>   | V42254A2116B209                         | OBSOLETE |
| 1393484-4              | V42254A2116B225                         | OBSOLETE |
| <del>1393484-5</del>   | V42254A2116B237                         | OBSOLETE |
| 1393484-8              | V42254A2140B109                         |          |
| 1393484-9              | V42254A2140B115                         |          |
| 1393741-1              | V42254A2812B215                         |          |
| 1393741-3              | V42254A2816B109                         |          |
| 1393741-4              | V42254A2816B115                         | OBSOLETE |
| 1393741-5              | V42254A2819B209                         |          |
| 1393741-6              | V42254A2819B225                         |          |
| 1485839-1              | V42254A21XXB209                         |          |
| 1485839-2              | V42254A21XXB215                         |          |
| 1485839-3              | V42254A21XXB215P                        |          |
| 1485839-4              | V42254A21XXB225                         |          |
| 1485839-5              | V42254A21XXB225P                        |          |
| 1485839-6              | V42254A21XXB237                         |          |
| <del>1857904-3</del>   | 25p Sub-D PCB Rec 4-40 UNC Scr.Lck+Clip | OBSOLETE |
| 2-1393484-2            | V42254A2151B209                         | OBSOLETE |
| 2-1393484-3            | V42254A2151B215                         |          |
| 2-1393484-4            | V42254A2151B225                         |          |
| 2-1393740-8            | V42254A2214B209                         |          |
| <del>2-1393740-9</del> | V42254A2214B215                         | OBSOLETE |
| 3-1393484-1            | V42254A2315B109                         | OBSOLETE |
| <del>3-1393484-2</del> | V42254A2315B115                         | OBSOLETE |
| <del>3-1393484-3</del> | V42254A2315B209                         | OBSOLETE |
| <del>3-1393484-4</del> | V42254A2315B215                         | OBSOLETE |
| <del>3-1393484-5</del> | V42254A2315B225                         | OBSOLETE |
| <del>3-1393484-6</del> | V42254A2315B237                         | OBSOLETE |
| 3-1393740-0            | V42254A2214B225                         |          |
| <del>3-1393740-1</del> | V42254A2214B237                         | OBSOLETE |
| <del>4-1393740-4</del> | V42254A2215B209                         | OBSOLETE |
| 4-1393740-5            | V42254A2215B215                         | OBSOLETE |

| TE PARTNUMBER          | OLD PARTNUMER (Description) |          |
|------------------------|-----------------------------|----------|
| <del>4-1393740-6</del> | V42254A2215B225             | OBSOLETE |
| <del>4-1393740-7</del> | V42254A2215B237             | OBSOLETE |
| <del>6-1393740-6</del> | V42254A2216B109             | OBSOLETE |
| <del>6-1393740-7</del> | V42254A2216B115             | OBSOLETE |
| <del>6-1393740-8</del> | V42254A2216B125             | OBSOLETE |
| <del>6-1393740-9</del> | V42254A2216B137             |          |
| <del>7-1393483-1</del> | SUB D FEDERLEISTE           | OBSOLETE |
| <del>7-1393483-2</del> | V42254A2112B225             |          |
| <del>7-1393483-5</del> | SUB D FEDERLEISTE           | OBSOLETE |
| <del>7-1393483-6</del> | V42254A2114B215             | OBSOLETE |
| 7-1393740-0            | V42254A2216B209             |          |
| 7-1393740-1            | V42254A2216B215             |          |
| 7-1393740-2            | V42254A2216B225             |          |
| 7-1393740-3            | V42254A2216B237             |          |
| <del>8-1393483-6</del> | V42254A2115B125             | OBSOLETE |
| 8-1393483-7            | V42254A2115B209             |          |
| <del>8-1393483-8</del> | V42254A2115B215             | OBSOLETE |
| 8-1393483-9            | V42254A2115B225             |          |
| 8-1393740-7            | SUB D FEDERLEISTE           |          |
| 8-1393740-8            | SUB D FEDERLEISTE           | OBSOLETE |
| 8-1393740-9            | SUB D FEDERLEISTE           |          |
| 9-1393483-0            | V42254A2115B237             |          |
| <del>9-1393740-0</del> | V42254A2219B209             |          |
| <del>9-1393740-1</del> | V42254A2219B215             |          |
| <del>9-1393740-2</del> | V42254A2219B225             |          |
| <del>9-1393740-3</del> | V42254A2219B237             |          |
| <del>9-1393740-8</del> | V42254A2315B250             |          |

|                                                                                                       |              |                                    |      |                                    |
|-------------------------------------------------------------------------------------------------------|--------------|------------------------------------|------|------------------------------------|
|  TE Connectivity |              | SCALE 2:1                          |      | WEIGHT                             |
| LOC<br>GW                                                                                             |              | DIMENSIONS<br>IN MM                |      | MATERIAL                           |
| DATE                                                                                                  | 01.03.90     | PART NAME Sub-D Loetstiften gerade |      |                                    |
| NAME                                                                                                  | Embo         | Buchsenleiste                      |      |                                    |
| DEP.                                                                                                  | PE Com PE&SE | D-Sub straight soldering pins      |      |                                    |
| TOLERANCE UNLESS SPECIFIED OTHERWISE                                                                  |              | PART NO.                           |      | SHT. 8+                            |
| SEE SHEET 1                                                                                           |              | V42254-A2***-B***-*27              |      | OF 8                               |
| REV.                                                                                                  | CHANGE ORDER | DATE                               | APP. | Customer Drawing Nr. G-7-1393483-1 |