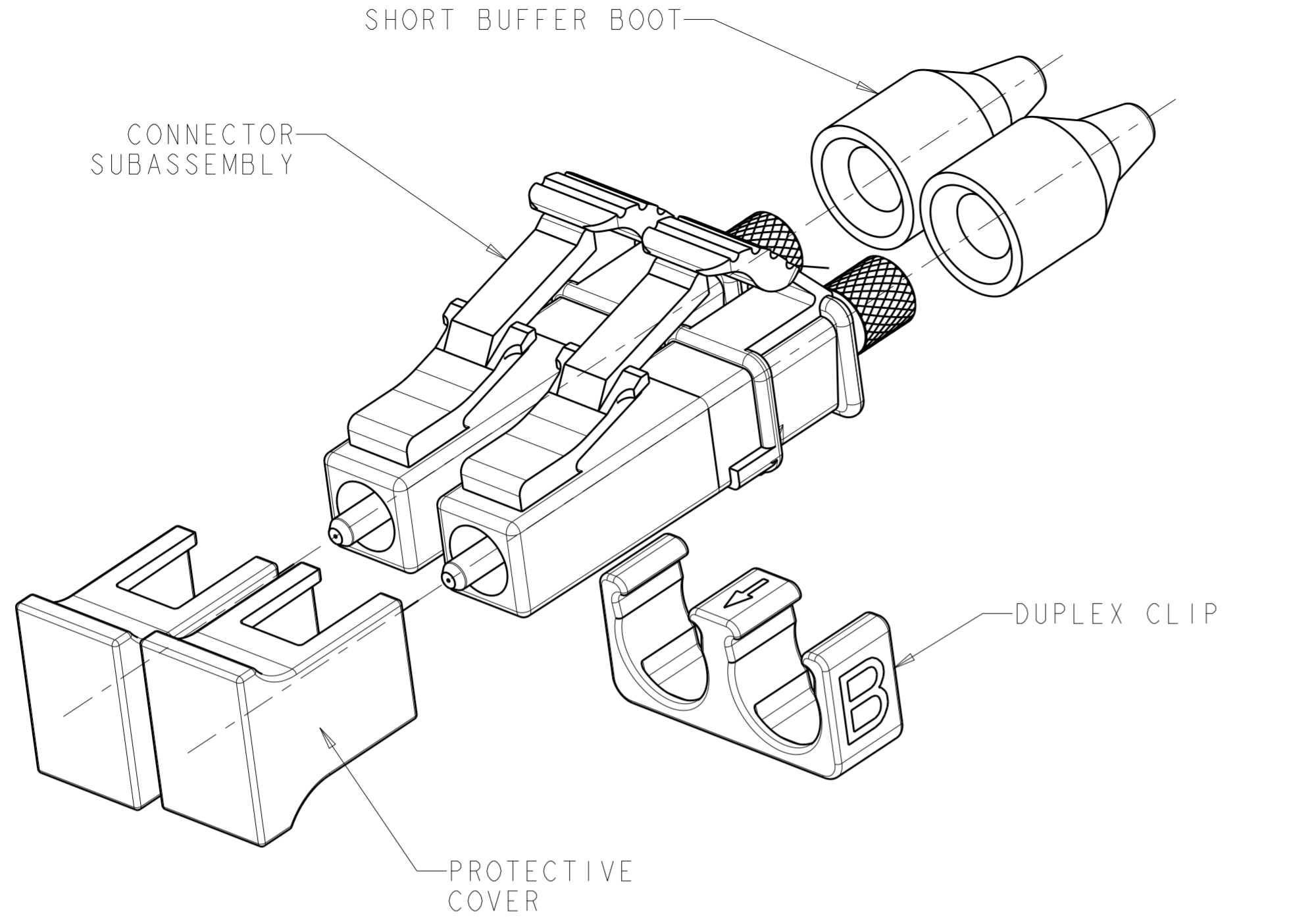


THIS DRAWING IS UNPUBLISHED. RELEASED FOR PUBLICATION  
 © COPYRIGHT BY TYCO ELECTRONICS CORPORATION. ALL INTERNATIONAL RIGHTS RESERVED.

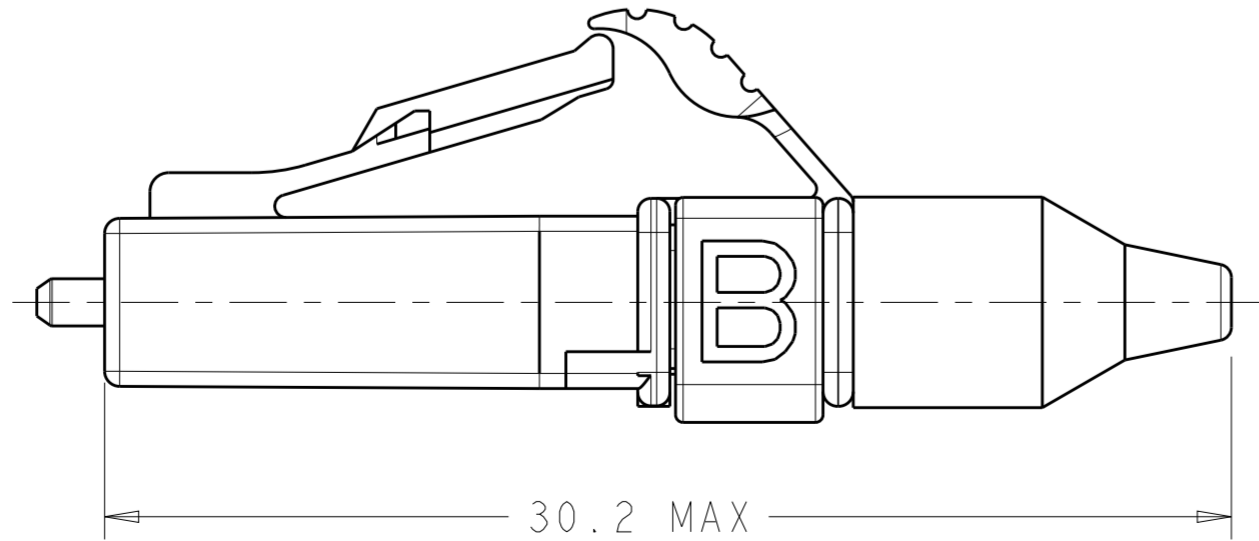
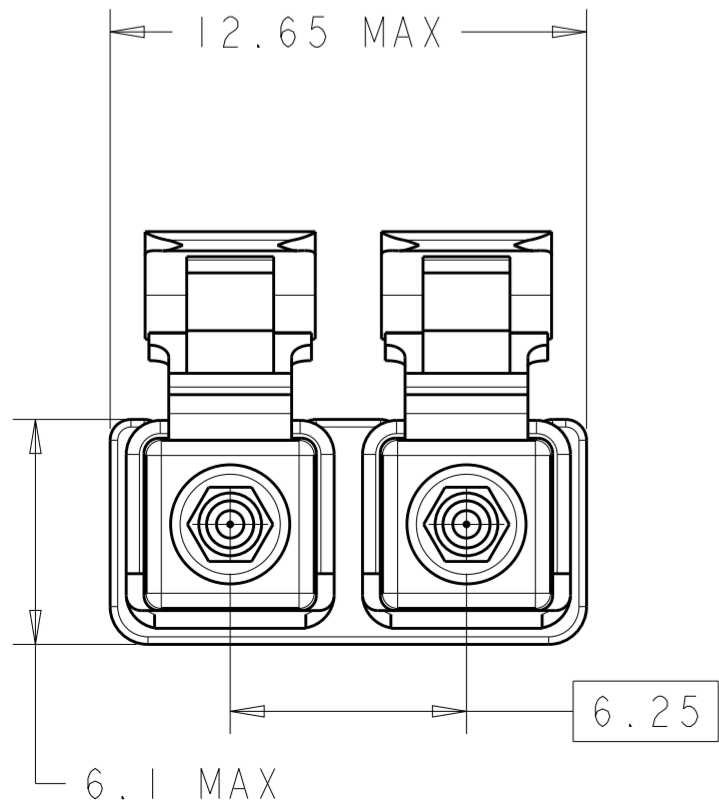
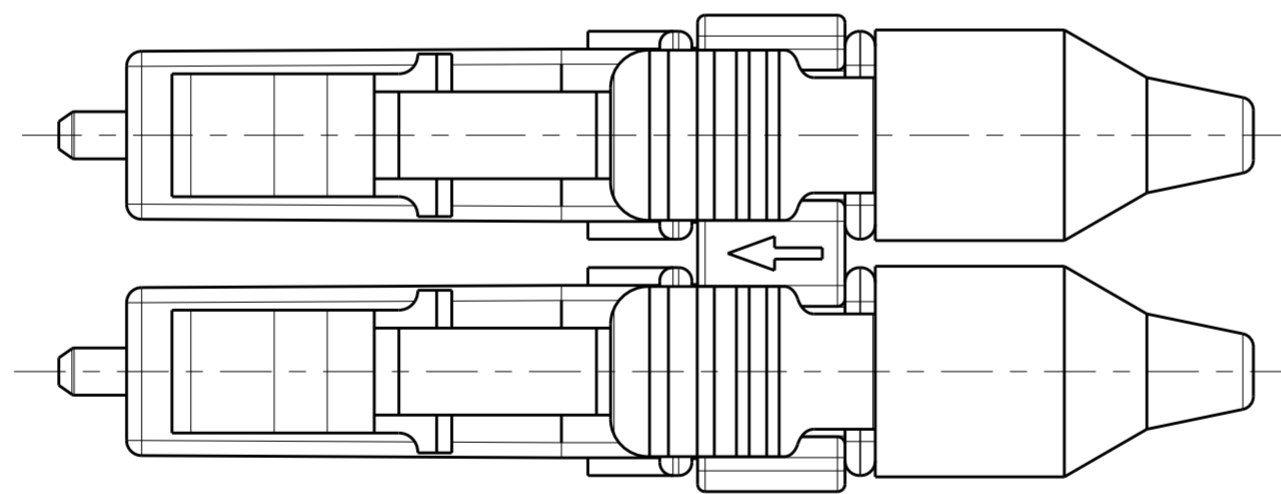
| LOC | DIST | REVISIONS |     |               |           |     |      |
|-----|------|-----------|-----|---------------|-----------|-----|------|
|     |      | P         | LTR | DESCRIPTION   | DATE      | DWN | APVD |
| HG  | -    | E         |     | ECO-13-009981 | 17JUN2013 | JM  | TE   |
|     |      |           |     |               |           |     |      |
|     |      |           |     |               |           |     |      |



1 MATERIAL  
 PROTECTIVE COVER: PP, COLOR: WHITE, UL94 HB\*  
 FERRULE SUBASSEMBLY: ZIRCONIA/METAL  
 COMPRESSION SPRING: STAINLESS STEEL  
 FRONT HOUSING: PEI, COLOR: BEIGE, UL94 V-0\*  
 INNER TUBING: PTFE, COLOR: CLEAR, UL VW-1  
 REAR BODY: METAL  
 BOOT: TPE, UL94 V-0\*, SEE TABLE FOR COLOR.  
 DUPLEX CLIP: PEI, COLOR: BLACK, UL94 V-0\*  
 \*RATED AT QUALIFYING THICKNESS.

2 BULK PACKAGED.

3. INSTRUCTION SHEET: 408-8675 AVAILABLE FOR DOWNLOAD AT  
[www.tycoelectronics.com/documents](http://www.tycoelectronics.com/documents) OR  
[www.ampnetconnect.com/foguide](http://www.ampnetconnect.com/foguide).



|   |            |             |
|---|------------|-------------|
| 2 | BLACK      | 1918388-6   |
| 2 | AQUA       | 1918388-5   |
|   | BLACK      | 1918388-4   |
|   | AQUA       | 1918388-3   |
| 2 | BEIGE      | 1918388-2   |
|   | BEIGE      | 1918388-1   |
|   | BOOT COLOR | PART NUMBER |

| DIMENSIONS: |  | TOLERANCES UNLESS OTHERWISE SPECIFIED: |   | DWN              |           | Tyco Electronics Corporation                 |               |
|-------------|--|--|---|------------------|-----------|--|---------------|
| mm          |  | 0 PLC                                  | ± | B. BRIGGS        | 24APR2006 | Shanghai, China                              |               |
|             |  | 1 PLC                                  | ± | CHK              | 24APR2006 | KIT, CONNECTOR, LC, DUPLEX, MM, 900um BUFFER |               |
|             |  | 2 PLC                                  | ± | D. ROHDE         | 24APR2006 | -  |               |
|             |  | 3 PLC                                  | ± | APVD             | 24APR2006 | -  |               |
|             |  | 4 PLC                                  | ± | D. BAECHTLE      |           | -  |               |
|             |  | ANGLES                                 | ± | PRODUCT SPEC     |           | -  |               |
|             |  | FINISH                                 | ± | APPLICATION SPEC |           | -  |               |
| MATERIAL    |  |  |   | WEIGHT           |           | SIZE   | CAGE CODE     |
|             |  |  |   |                  |           | A2   | -             |
|             |  |  |   | CUSTOMER DRAWING |           | DRAWING NO                                   | RESTRICTED TO |
|             |  |  |   |                  |           | G-1918388                                    | -             |
|             |  |  |   |                  |           | SCALE  | SHEET         |
|             |  |  |   |                  |           | 5:1  | 1 OF 1        |
|             |  |  |   |                  |           |  | REV           |
|             |  |  |   |                  |           |  | E             |